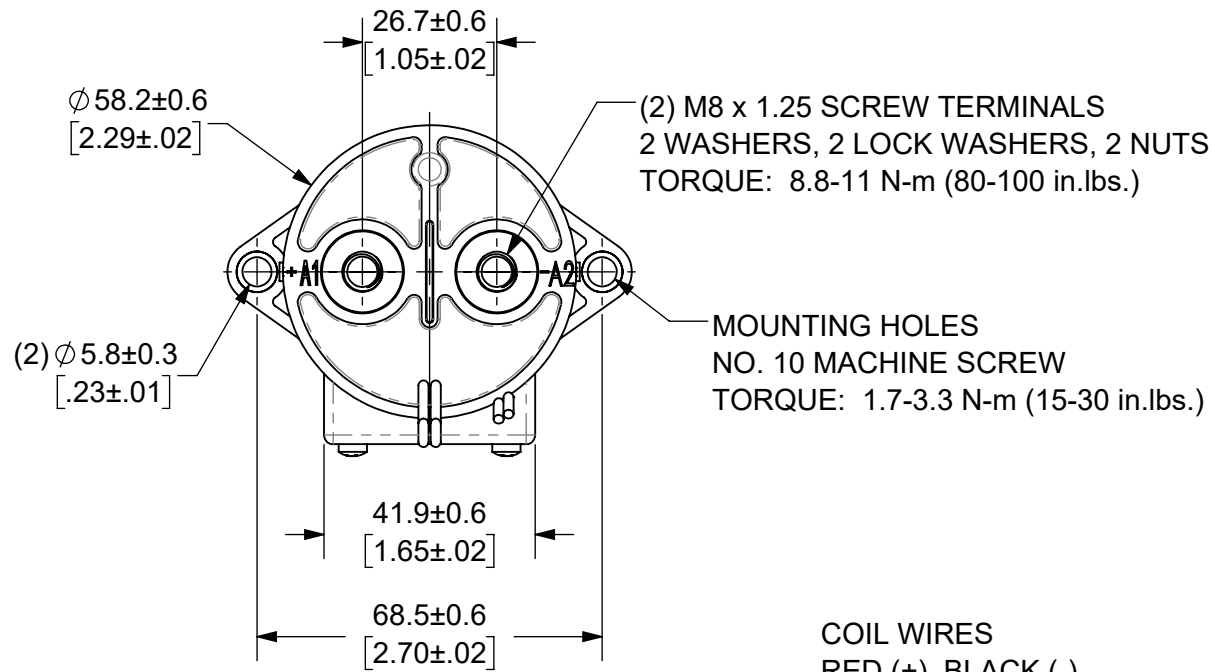
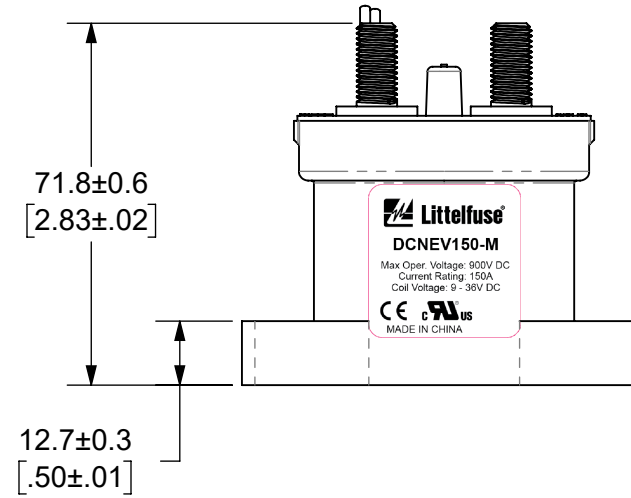
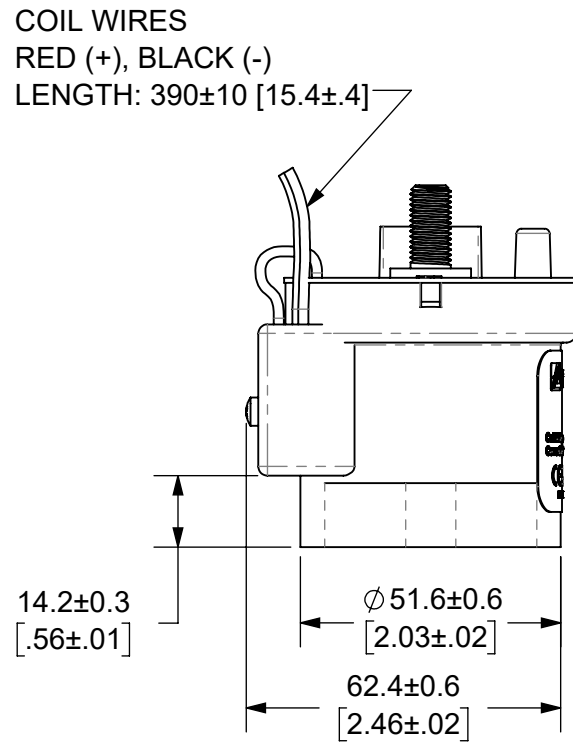
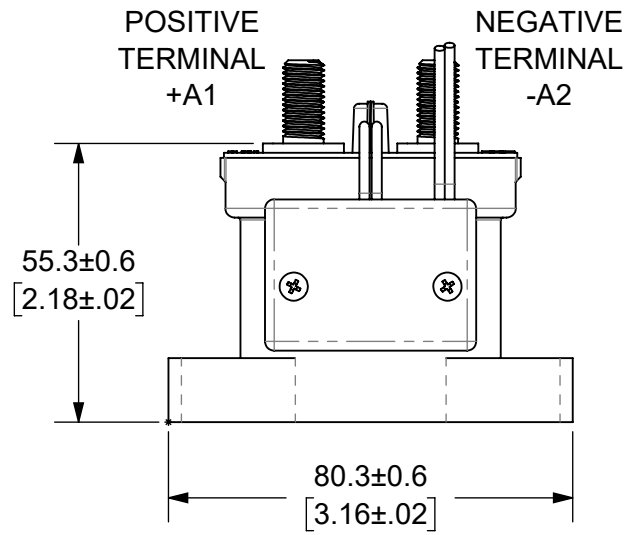
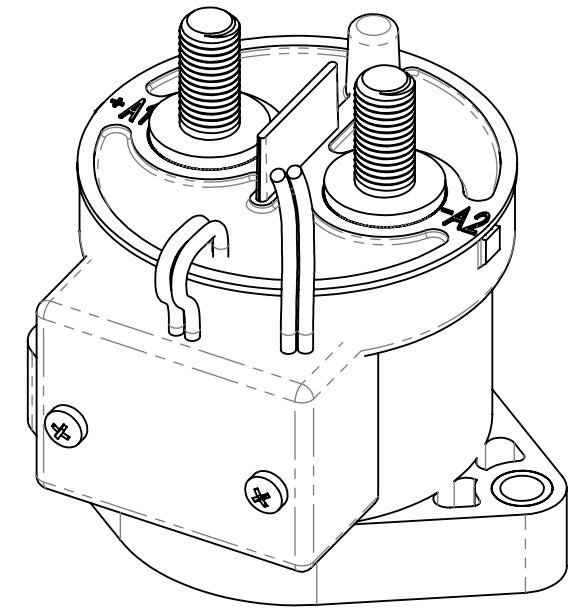


THIS DRAWING AND THE INFORMATION CONTAINED WITHIN IT ARE CONFIDENTIAL AND MAY NOT BE COPIED OR DISCLOSED WITHOUT THE WRITTEN PERMISSION OF LITTELFUSE.

REVISIONS				
ZONE	REV.	DESCRIPTION	DATE	APPROVED
	A	INITIAL RELEASE. GCF 500000021759	12/11/2019	DGK



- NOTES: UNLESS OTHERWISE SPECIFIED
- CONTACT ARRANGEMENT: SPST-NO
  - CONTINUOUS CURRENT RATING: 150 AMPS
  - CONTACT VOLTAGE RATING: 12 - 900 VDC
  - CONTACT TERMINALS POLARIZED
  - HARDWARE: 2 - M8 NUTS, 2 - M8 LOCKWASHERS, 2 - M8 FLAT WASHERS
  - WEIGHT: 430 GRAMS (15 OZ.)
  - CERTIFICATIONS:
  - UL RECOGNIZED FOR CANADA AND THE UNITED STATES.  
EUROPEAN ECONOMIC AREA RECOGNIZED.
  - RoHS COMPLIANT

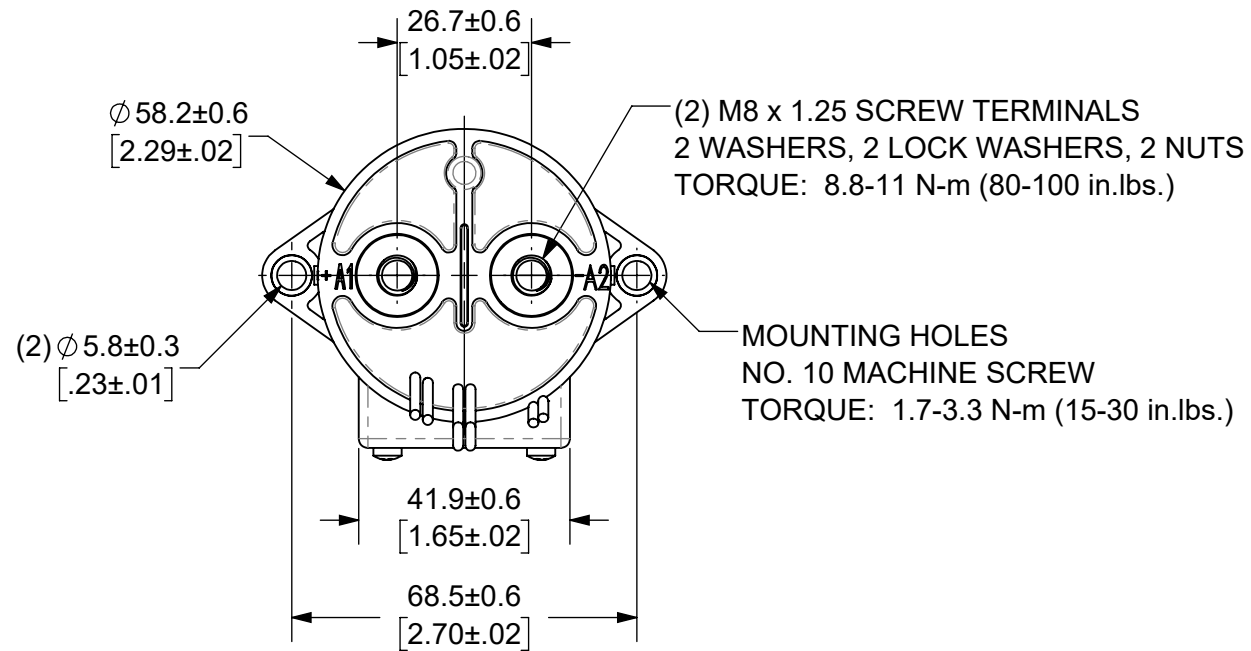


INTERPRET DRAWING TO ANSI/ASME Y14.5-1994.	
	FIT/ FUNCTION CRITICAL CHARACTERISTICS SYMBOL
	SAFETY/ COMPLIANCE CRITICAL CHARACTERISTICS SYMBOL
CPK	DENOTES CPK DIMENSIONS MINIMUM CPK VALUE
	DENOTES A CHARACTERISTIC THAT PROVIDES AN INDICATION OF PROCESS PERFORMANCE PROCEDURE FOR MEASUREMENT AND TRACKING TO BE DEFINED IN LITTELFUSE INSPECTION INSTRUCTIONS
CP	DENOTES CP DIMENSIONS. -MINIMUM CP VALUE MUST BE WITHIN THE DIMENSIONAL LIMITATIONS SHOWN ON DRAWING AND INITIALLY LOCATED TO ALLOW FOR MAXIMUM TOOL LIFE
DIMENSION: MM TOLERANCES UNLESS OTHERWISE SPECIFIED ONE PLACE DECIMAL ± 0.5 THREE PLACES DECIMAL ± 0.100 TWO PLACES DECIMAL ± 0.20 ANGULAR ± 2°	
NAME	DATE
DRAWN DGK	11/21/2019
CHECKED AH	12/11/2019
Littelfuse Expertise Applied   Answers Delivered	
FORM NO: CVP-PE40-0004 REV A	
THIRD ANGLE PROJECTION	
SIZE B	DWG. NO. OL-DCNEV150-M
DO NOT SCALE DRAWING	SCALE 2:3
TITLE DC CONTACTOR, 150 AMP	
OUTLINE REV. A	SHEET 1 OF 1

ENGINEERING DESIGN DATA									
COIL DATA							SHORT CIRCUIT	DIELECTRIC VOLTAGE	ELECTRICAL LIFE
COIL VOLTAGE (VDC)	NOMINAL POWER (WATTS)	PICK-UP VOLTAGE (VDC)	DROP-OUT VOLTAGE (VDC)	MAX. VOLTAGE (VDC)	INRUSH CURRENT (MAX)	HOLDING CURRENT 12VDC / 24VDC	MAX @ 320 VDC	(VRMS)	150A @ 450VDC (CYCLES)
12 - 24	1.7	9	6	36	3.8A	0.13A / 0.07A	2,000 A	2,200	3,000

THIS DRAWING AND THE INFORMATION CONTAINED WITHIN IT ARE CONFIDENTIAL AND MAY NOT BE COPIED OR DISCLOSED WITHOUT THE WRITTEN PERMISSION OF LITTELFUSE.

REVISIONS				
ZONE	REV.	DESCRIPTION	DATE	APPROVED
	A	INITIAL RELEASE. GCF 500000021759	12/11/2019	DGK



(2) M8 x 1.25 SCREW TERMINALS  
2 WASHERS, 2 LOCK WASHERS, 2 NUTS  
TORQUE: 8.8-11 N-m (80-100 in.lbs.)

MOUNTING HOLES  
NO. 10 MACHINE SCREW  
TORQUE: 1.7-3.3 N-m (15-30 in.lbs.)

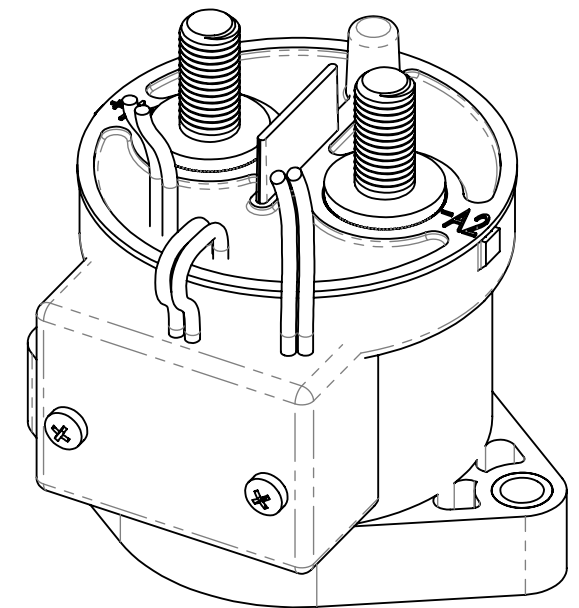
NOTES: UNLESS OTHERWISE SPECIFIED

- CONTACT ARRANGEMENT: SPST-NO
- CONTINUOUS CURRENT RATING: 150 AMPS
- CONTACT VOLTAGE RATING: 12 - 900 VDC
- CONTACT TERMINALS POLARIZED
- HARDWARE: 2 - M8 NUTS, 2 - M8 LOCKWASHERS, 2 - M8 FLAT WASHERS
- WEIGHT: 430 GRAMS (15 OZ.)
- CERTIFICATIONS:



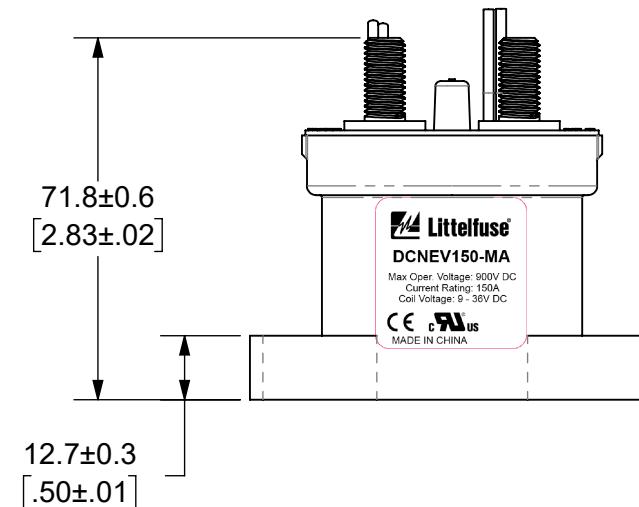
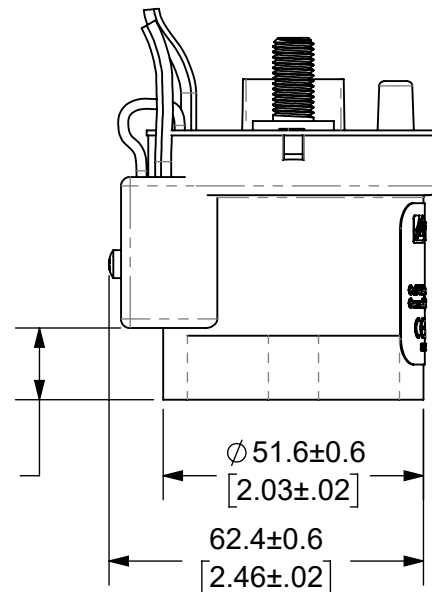
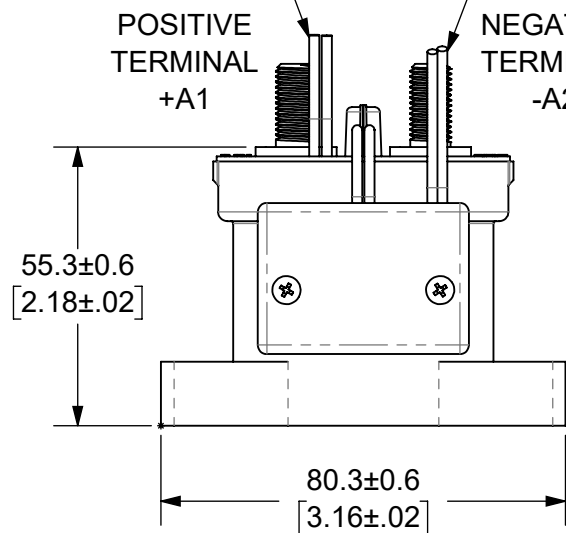
UL RECOGNIZED FOR CANADA AND THE UNITED STATES.  
EUROPEAN ECONOMIC AREA RECOGNIZED.

- RoHS COMPLIANT
- AUXILLARY CONTACT RATING: 2A @ 30 VDC  
3A @ 125 VAC



AUXILIARY CONTACT,  
WHITE WIRES  
LENGTH: 390±10 [15.4±.4]

COIL WIRES  
RED (+), BLACK (-)  
LENGTH: 390±10 [15.4±.4]



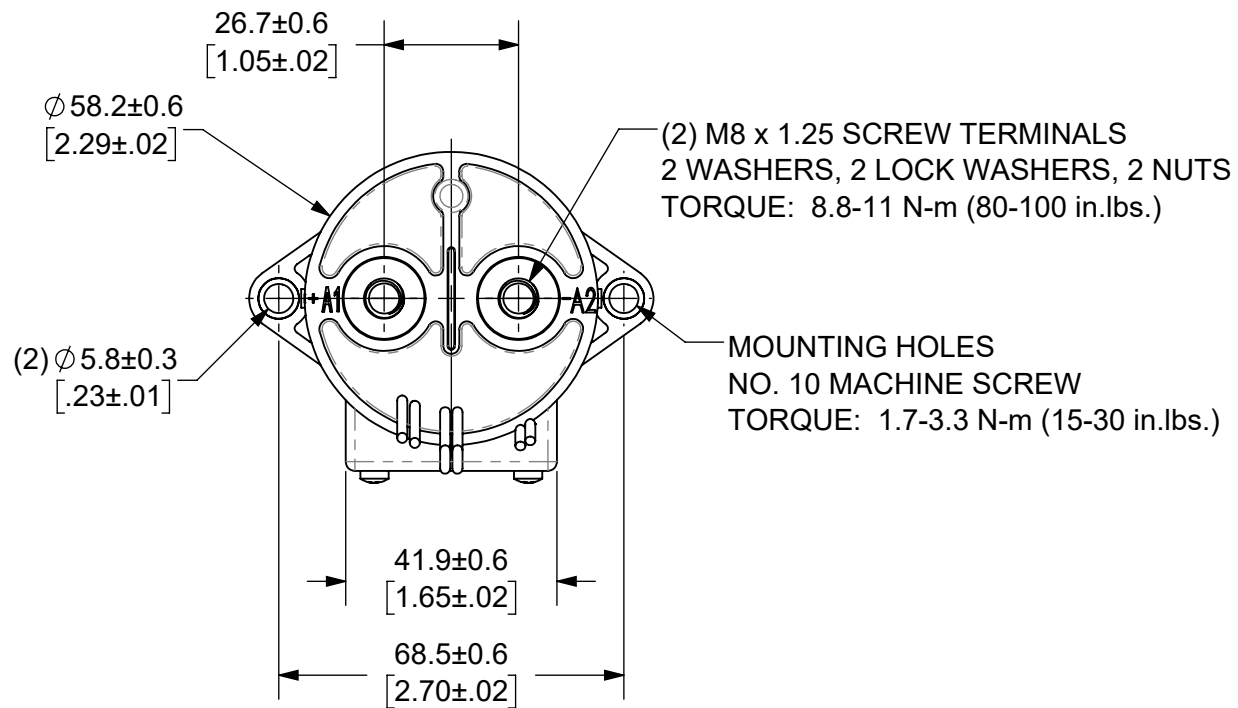
INTERPRET DRAWING TO ANSI/ASME Y14.5-1994.	
●	FIT/ FUNCTION CRITICAL CHARACTERISTICS SYMBOL
<S>	SAFETY/ COMPLIANCE CRITICAL CHARACTERISTICS SYMBOL
CPK	DENOTES CPK DIMENSIONS MINIMUM CPK VALUE
ST	DENOTES A CHARACTERISTIC THAT PROVIDES AN INDICATION OF PROCESS PERFORMANCE PROCEDURE FOR MEASUREMENT AND TRACKING TO BE DEFINED IN LITTELFUSE INSPECTION INSTRUCTIONS
CP	DENOTES CP DIMENSIONS. -MINIMUM CP VALUE MUST BE WITHIN THE DIMENSIONAL LIMITATIONS SHOWN ON DRAWING AND INITIALLY LOCATED TO ALLOW FOR MAXIMUM TOOL LIFE
DIMENSION: MM TOLERANCES UNLESS OTHERWISE SPECIFIED ONE PLACE DECIMAL ± 0.5      THREE PLACES DECIMAL ± 0.100 TWO PLACES DECIMAL ± 0.20      ANGULAR ± 2°	
NAME	DATE
DRAWN DGK	11/21/2019
CHECKED AH	12/11/2019
Littelfuse Expertise Applied   Answers Delivered	
FORM NO: CVP-PE40-0004 REV A	
THIRD ANGLE PROJECTION	
DO NOT SCALE DRAWING	SCALE 2:3
TITLE DC CONTACTOR, 150 AMP AUXILLARY CONTACT	
SIZE B	DWG. NO. OL-DCNEV150-MA
OUTLINE	REV. A
SHEET 1 OF 1	

ENGINEERING DESIGN DATA

COIL DATA						SHORT CIRCUIT	DIELECTRIC VOLTAGE	ELECTRICAL LIFE	
COIL VOLTAGE (VDC)	NOMINAL POWER (WATTS)	PICK-UP VOLTAGE (VDC)	DROP-OUT VOLTAGE (VDC)	MAX. VOLTAGE (VDC)	INRUSH CURRENT (MAX)	HOLDING CURRENT 12VDC / 24VDC	MAX @ 320 VDC	(VRMS)	150A @ 450VDC (CYCLES)
12 - 24	1.7	9	6	36	3.8A	0.13A / 0.07A	2,000 A	2,200	3,000

THIS DRAWING AND THE INFORMATION CONTAINED WITHIN IT ARE CONFIDENTIAL AND MAY NOT BE COPIED OR DISCLOSED WITHOUT THE WRITTEN PERMISSION OF LITTELFUSE.

REVISIONS				
ZONE	REV.	DESCRIPTION	DATE	APPROVED
	A	INITIAL RELEASE. GCF 500000021759	12/11/2019	DGK



(2) M8 x 1.25 SCREW TERMINALS  
2 WASHERS, 2 LOCK WASHERS, 2 NUTS  
TORQUE: 8.8-11 N-m (80-100 in.lbs.)

MOUNTING HOLES  
NO. 10 MACHINE SCREW  
TORQUE: 1.7-3.3 N-m (15-30 in.lbs.)

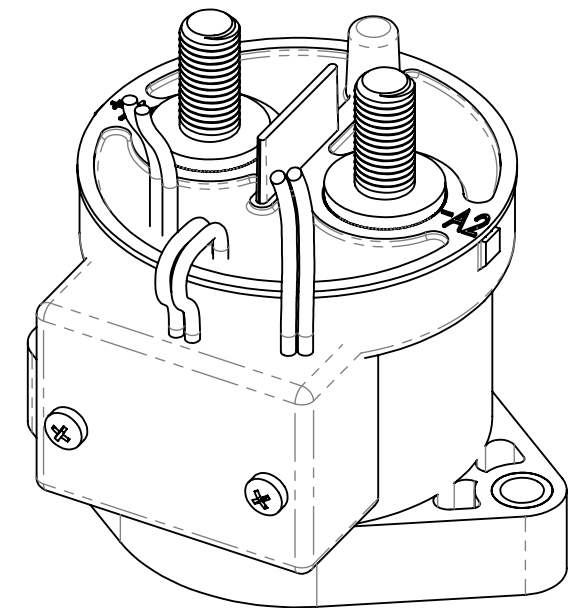
NOTES: UNLESS OTHERWISE SPECIFIED

- CONTACT ARRANGEMENT: SPST-NO
- CONTINUOUS CURRENT RATING: 150 AMPS
- CONTACT VOLTAGE RATING: 12 - 900 VDC
- CONTACT TERMINALS NON-POLARIZED
- HARDWARE: 2 - M8 NUTS, 2 - M8 LOCKWASHERS, 2 - M8 FLAT WASHERS
- WEIGHT: 430 GRAMS (15 OZ.)
- CERTIFICATIONS:

UL RECOGNIZED FOR CANADA AND THE UNITED STATES.

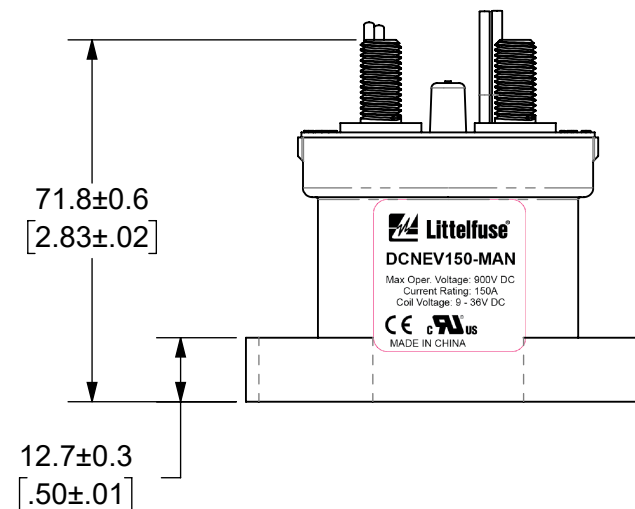
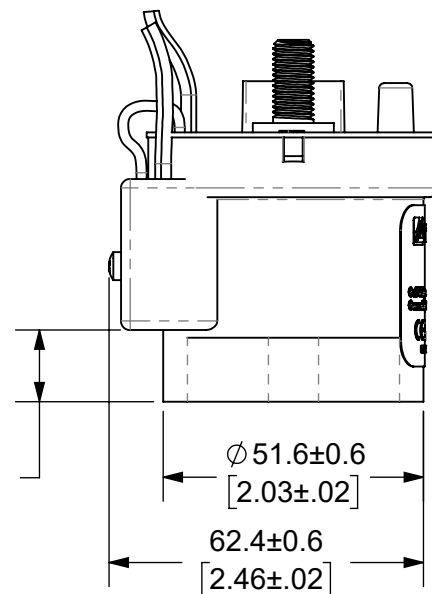
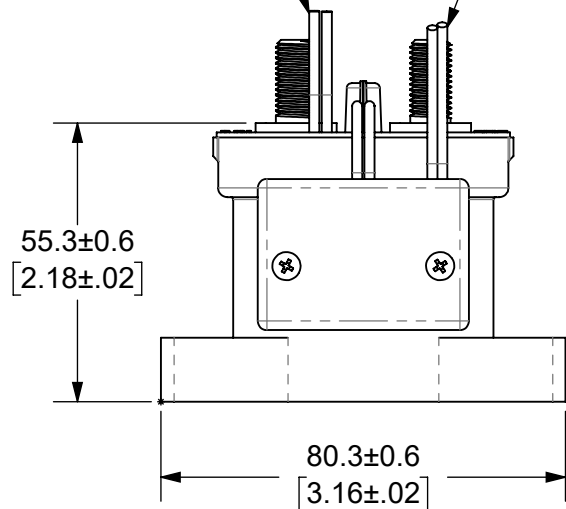
EUROPEAN ECONOMIC AREA RECOGNIZED.

- RoHS COMPLIANT
- AUXILLARY CONTACT RATING: 2A @ 30 VDC  
3A @ 125 VAC



AUXILIARY CONTACT,  
WHITE WIRES  
LENGTH: 390±10 [15.4±.4]

COIL WIRES  
RED (+), BLACK (-)  
LENGTH: 390±10 [15.4±.4]



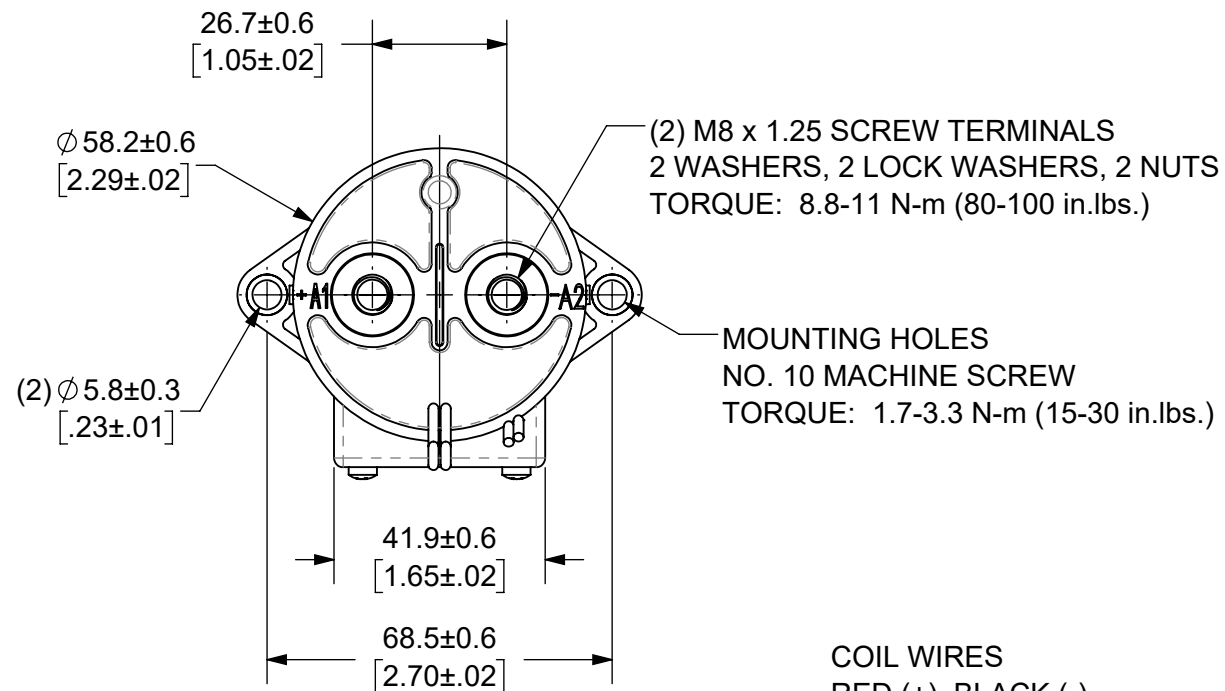
INTERPRET DRAWING TO ANSI/ASME Y14.5-1994.	
	FIT/ FUNCTION CRITICAL CHARACTERISTICS SYMBOL
	SAFETY/ COMPLIANCE CRITICAL CHARACTERISTICS SYMBOL
CPK	DENOTES CPK DIMENSIONS MINIMUM CPK VALUE
	DENOTES A CHARACTERISTIC THAT PROVIDES AN INDICATION OF PROCESS PERFORMANCE. PROCEDURE FOR MEASUREMENT AND TRACKING TO BE DEFINED IN LITTELFUSE INSPECTION INSTRUCTIONS
CP	DENOTES CP DIMENSIONS. -MINIMUM CP VALUE MUST BE WITHIN THE DIMENSIONAL LIMITATIONS SHOWN ON DRAWING AND INITIALLY LOCATED TO ALLOW FOR MAXIMUM TOOL LIFE
DIMENSION: MM TOLERANCES UNLESS OTHERWISE SPECIFIED ONE PLACE DECIMAL ± 0.5      THREE PLACES DECIMAL ± 0.100 TWO PLACES DECIMAL ± 0.20      ANGULAR ± 2°	
NAME	DATE
DRAWN DGK	11/21/2019
CHECKED AH	12/11/2019
FORM NO: CVP-PE40-0004 REV A	
THIRD ANGLE PROJECTION	
DO NOT SCALE DRAWING	
Expertise Applied   Answers Delivered	
TITLE DC CONTACTOR, 150 AMP AUX CONTACT, NON-POLAR	
SIZE B	DWG. NO. OL-DCNEV150-MAN
SCALE 2:3	OUTLINE REV. A
SHEET 1 OF 1	

ENGINEERING DESIGN DATA

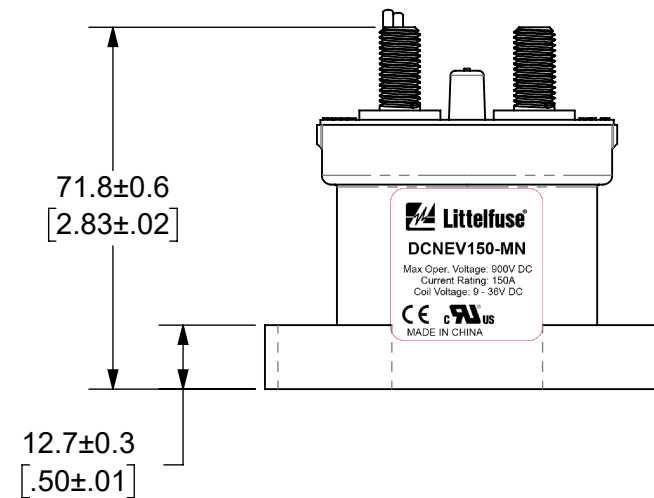
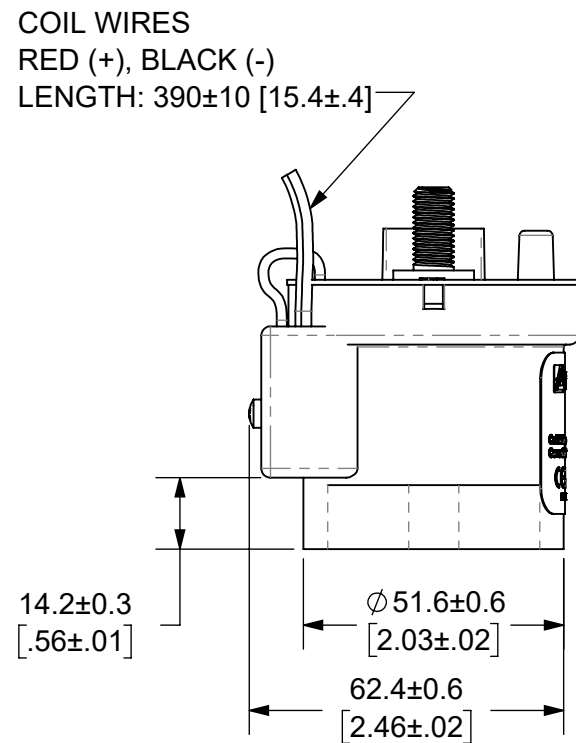
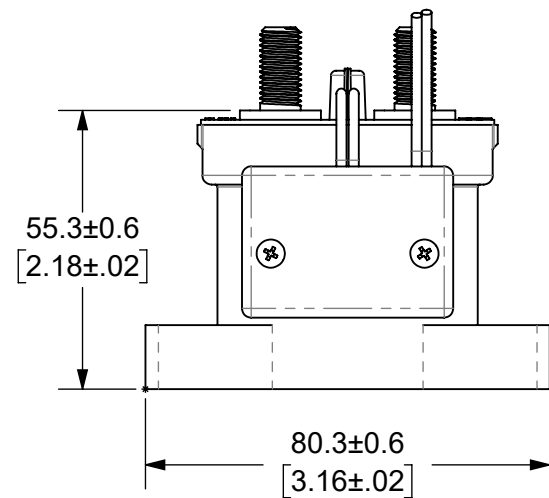
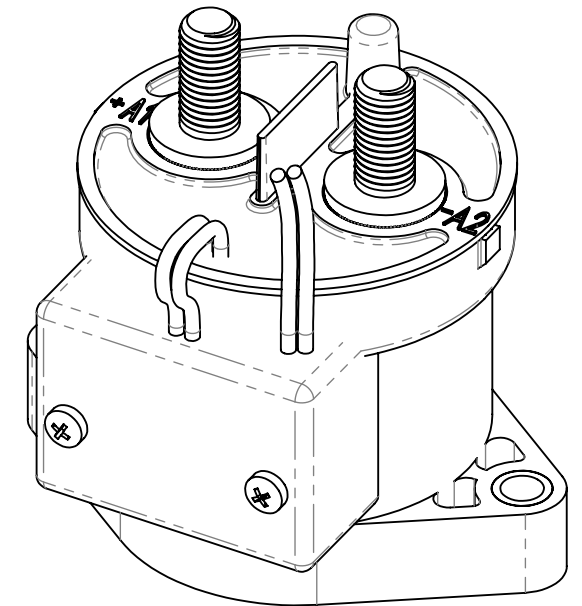
COIL DATA						SHORT CIRCUIT	DIELECTRIC VOLTAGE	ELECTRICAL LIFE	
COIL VOLTAGE (VDC)	NOMINAL POWER (WATTS)	PICK-UP VOLTAGE (VDC)	DROP-OUT VOLTAGE (VDC)	MAX. VOLTAGE (VDC)	INRUSH CURRENT (MAX)	HOLDING CURRENT 12VDC / 24VDC	MAX @ 320 VDC	(VRMS)	150A @ 450VDC (CYCLES)
12 - 24	1.7	9	6	36	3.8A	0.13A / 0.07A	2,000 A	2,200	3,000

THIS DRAWING AND THE INFORMATION CONTAINED WITHIN IT ARE CONFIDENTIAL AND MAY NOT BE COPIED OR DISCLOSED WITHOUT THE WRITTEN PERMISSION OF LITTELFUSE.

REVISIONS				
ZONE	REV.	DESCRIPTION	DATE	APPROVED
	A	INITIAL RELEASE. GCF 500000021759	12/11/2019	DGK



- NOTES: UNLESS OTHERWISE SPECIFIED
- CONTACT ARRANGEMENT: SPST-NO
  - CONTINUOUS CURRENT RATING: 150 AMPS
  - CONTACT VOLTAGE RATING: 12 - 900 VDC
  - CONTACT TERMINALS NON-POLARIZED
  - HARDWARE: 2 - M8 NUTS, 2 - M8 LOCKWASHERS, 2 - M8 FLAT WASHERS
  - WEIGHT: 430 GRAMS (15 OZ.)
  - CERTIFICATIONS:
  - UL RECOGNIZED FOR CANADA AND THE UNITED STATES.  
EUROPEAN ECONOMIC AREA RECOGNIZED.
  - RoHS COMPLIANT



INTERPRET DRAWING TO ANSI/ASME Y14.5-1994.	
	FIT/ FUNCTION CRITICAL CHARACTERISTICS SYMBOL
<S>	SAFETY/ COMPLIANCE CRITICAL CHARACTERISTICS SYMBOL
CPK	DENOTES CPK DIMENSIONS MINIMUM CPK VALUE
	DENOTES A CHARACTERISTIC THAT PROVIDES AN INDICATION OF PROCESS PERFORMANCE PROCEDURE FOR MEASUREMENT AND TRACKING TO BE DEFINED IN LITTELFUSE INSPECTION INSTRUCTIONS
CP	DENOTES CP DIMENSIONS. -MINIMUM CP VALUE MUST BE WITHIN THE DIMENSIONAL LIMITATIONS SHOWN ON DRAWING AND INITIALLY LOCATED TO ALLOW FOR MAXIMUM TOOL LIFE
DIMENSION: MM TOLERANCES UNLESS OTHERWISE SPECIFIED ONE PLACE DECIMAL ± 0.5      THREE PLACES DECIMAL ± 0.100 TWO PLACES DECIMAL ± 0.20      ANGULAR ± 2°	
DRAWN	NAME: DGK      DATE: 11/21/2019
CHECKED	NAME: AH      DATE: 12/11/2019
 <b>Expertise Applied   Answers Delivered</b>	
FORM NO: CVP-PE40-0004 REV A	
THIRD ANGLE PROJECTION	
DO NOT SCALE DRAWING	TITLE: DC CONTACTOR, 150 AMP NON-POLAR LOAD TERMINALS SIZE: B      DWG. NO.: OL-DCNEV150-MN      OUTLINE: A SCALE: 2:3      SHEET 1 OF 1

ENGINEERING DESIGN DATA									
COIL DATA							SHORT CIRCUIT	DIELECTRIC VOLTAGE	ELECTRICAL LIFE
COIL VOLTAGE (VDC)	NOMINAL POWER (WATTS)	PICK-UP VOLTAGE (VDC)	DROP-OUT VOLTAGE (VDC)	MAX. VOLTAGE (VDC)	INRUSH CURRENT (MAX)	HOLDING CURRENT 12VDC / 24VDC	MAX @ 320 VDC	(VRMS)	150A @ 450VDC (CYCLES)
12 - 24	1.7	9	6	36	3.8A	0.13A / 0.07A	2,000 A	2,200	3,000