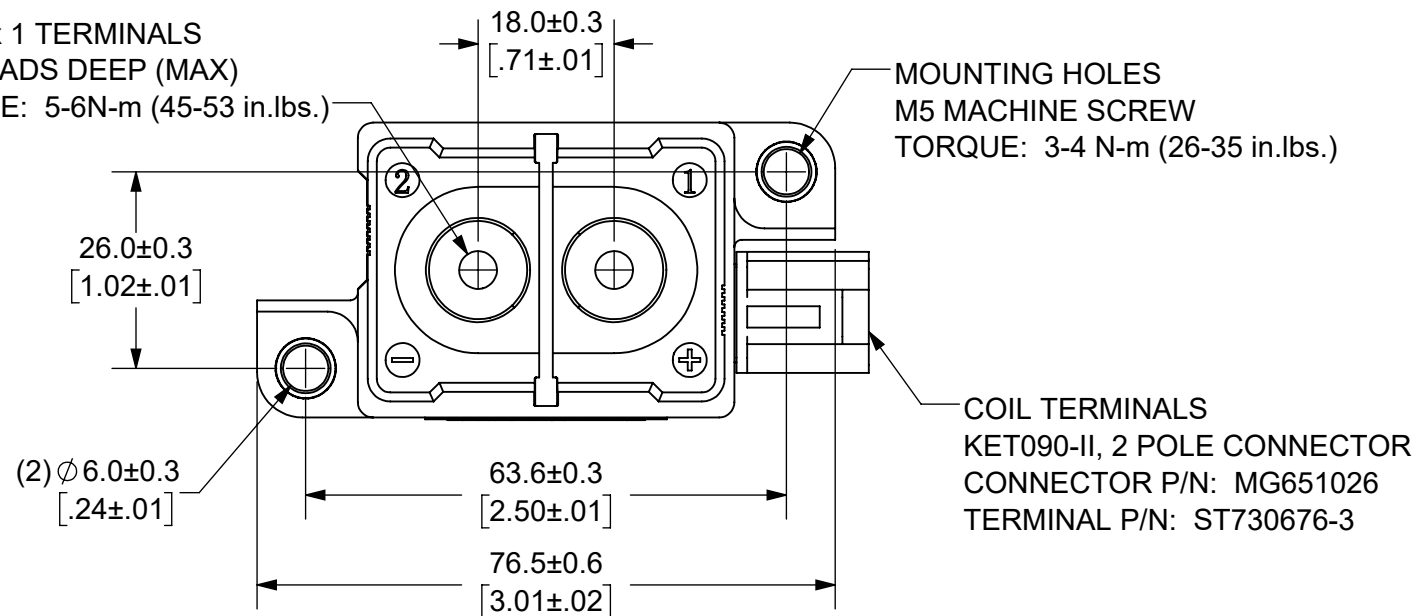


THIS DRAWING AND THE INFORMATION CONTAINED WITHIN IT ARE CONFIDENTIAL AND MAY NOT BE COPIED OR DISCLOSED WITHOUT THE WRITTEN PERMISSION OF LITTELFUSE.

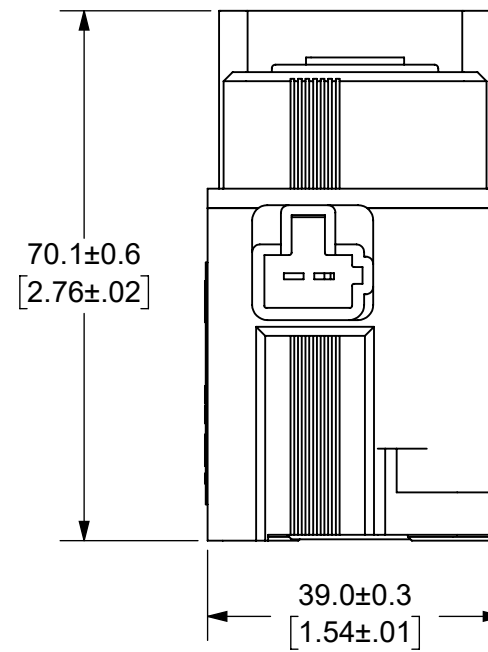
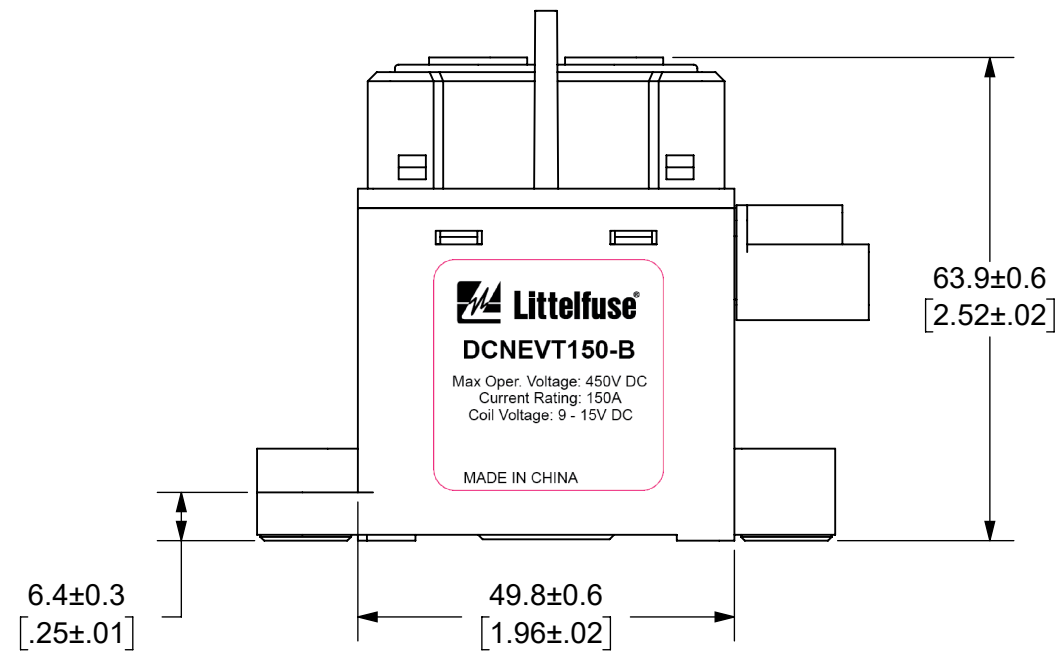
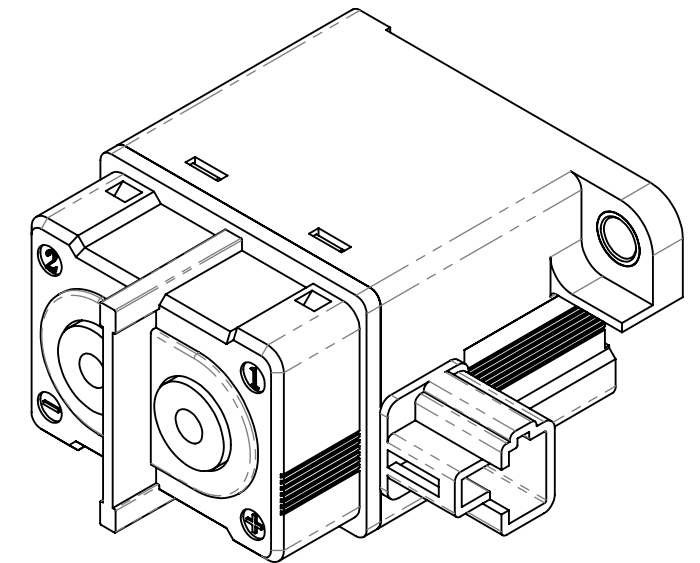
REVISIONS				
ZONE	REV.	DESCRIPTION	DATE	APPROVED
	A	INITIAL RELEASE. GCF 500000021759	12/11/2019	DGK

(2) M6 x 1 TERMINALS
7 THREADS DEEP (MAX)
TORQUE: 5-6N-m (45-53 in.lbs.)



NOTES: UNLESS OTHERWISE SPECIFIED

- CONTACT ARRANGEMENT: SPST-NO
- CONTINUOUS CURRENT RATING: 150 AMPS
- CONTACT VOLTAGE RATING: 12 - 450 VDC
- CONTACT TERMINALS POLARIZED
- HARDWARE: NONE
- WEIGHT: 385 GRAMS (13.5 OZ.)
- RoHS COMPLIANT



INTERPRET DRAWING TO ANSI/ASME Y14.5-1994.		
●	FIT/ FUNCTION CRITICAL CHARACTERISTICS SYMBOL	
<S>	SAFETY/ COMPLIANCE CRITICAL CHARACTERISTICS SYMBOL	
CPK	DENOTES CPK DIMENSIONS MINIMUM CPK VALUE	
ST	DENOTES A CHARACTERISTIC THAT PROVIDES AN INDICATION OF PROCESS PERFORMANCE PROCEDURE FOR MEASUREMENT AND TRACKING TO BE DEFINED IN LITTELFUSE INSPECTION INSTRUCTIONS	
CP	DENOTES CP DIMENSIONS. -MINIMUM CP VALUE MUST BE WITHIN THE DIMENSIONAL LIMITATIONS SHOWN ON DRAWING AND INITIALLY LOCATED TO ALLOW FOR MAXIMUM TOOL LIFE	
DIMENSION: MM TOLERANCES UNLESS OTHERWISE SPECIFIED ONE PLACE DECIMAL ± 0.5 THREE PLACES DECIMAL ± 0.100 TWO PLACES DECIMAL ± 0.20 ANGULAR ± 2°		
NAME	DATE	<p>Expertise Applied Answers Delivered</p> <p>TITLE DC CONTACTOR, 150 AMP 12 VDC, BOTTOM MOUNT</p> <p>SIZE B DWG. NO. OL-DCNEVT150-B OUTLINE REV. A</p>
DRAWN DGK	11/21/2019	
CHECKED AH	12/11/2019	
-	-	
FORM NO: CVP-PE40-0004 REV A		<p>DO NOT SCALE DRAWING</p> <p>SCALE 1:1</p> <p>SHEET 1 OF 1</p>
THIRD ANGLE PROJECTION		

ENGINEERING DESIGN DATA

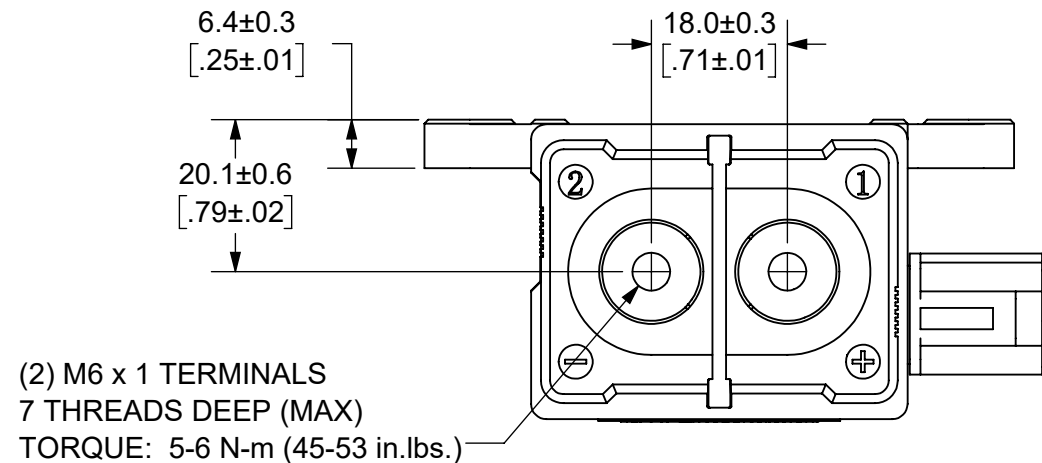
COIL DATA

COIL VOLTAGE (VDC)	NOMINAL POWER (WATTS)	PICK-UP VOLTAGE (VDC)	DROP-OUT VOLTAGE (VDC)	MAX. VOLTAGE (VDC)	INRUSH CURRENT (MAX)	SHORT CIRCUIT MAX @ 450 VDC	DIELECTRIC VOLTAGE (VRMS)	ELECTRICAL LIFE 150A @ 450VDC (CYCLES)
12	6.0	9	1.2	15	500mA	1,500 A	2,200	5,000

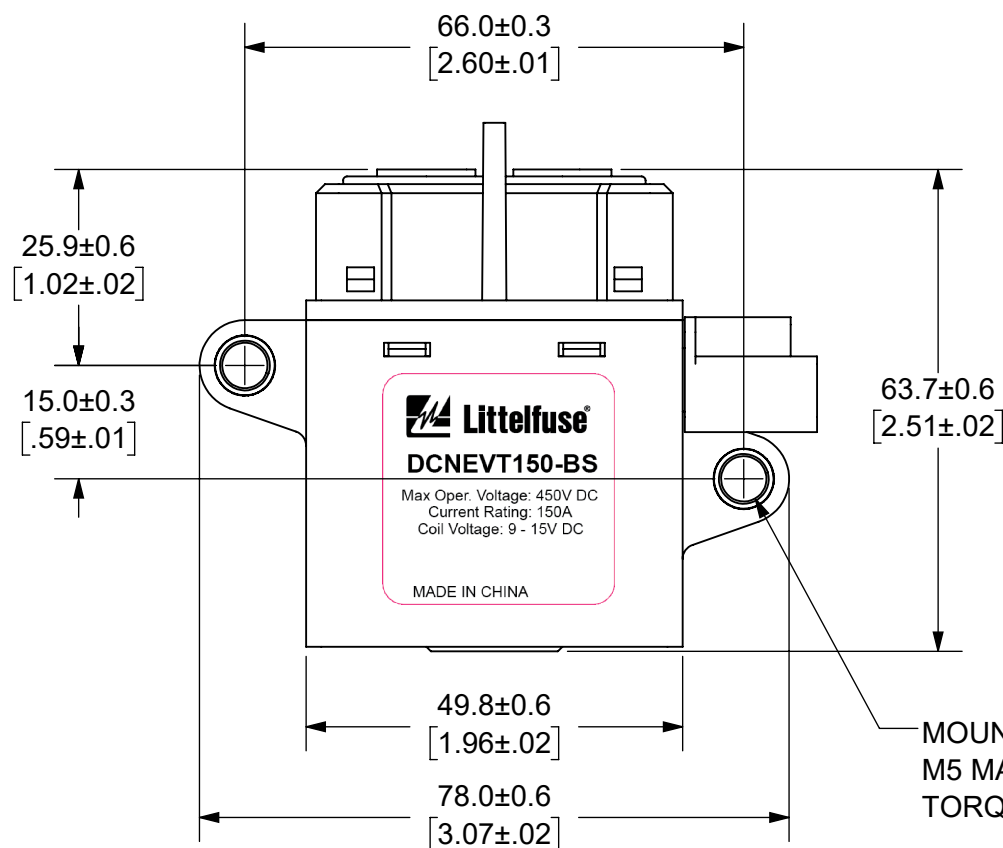
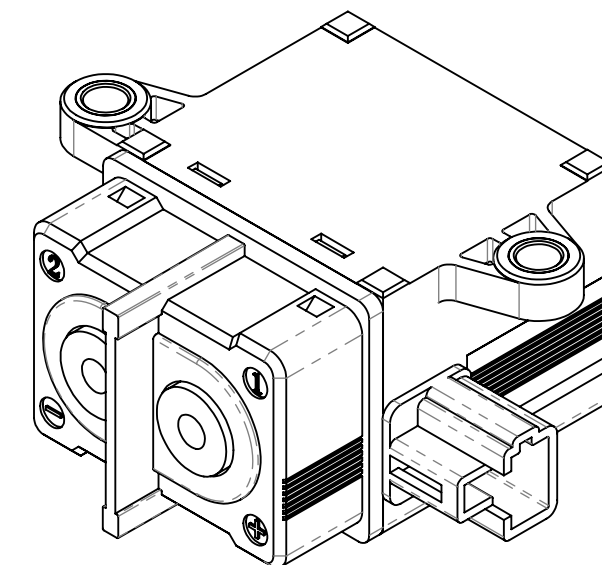
THIS DRAWING AND THE INFORMATION CONTAINED WITHIN IT ARE CONFIDENTIAL AND MAY NOT BE COPIED OR DISCLOSED WITHOUT THE WRITTEN PERMISSION OF LITTELFUSE.

REVISIONS				
ZONE	REV.	DESCRIPTION	DATE	APPROVED
	A	INITIAL RELEASE. GCF 500000021759	12/11/2019	DGK

- NOTES: UNLESS OTHERWISE SPECIFIED
- CONTACT ARRANGEMENT: SPST-NO
 - CONTINUOUS CURRENT RATING: 150 AMPS
 - CONTACT VOLTAGE RATING: 12 - 450 VDC
 - CONTACT TERMINALS POLARIZED
 - HARDWARE: NONE
 - WEIGHT: 385 GRAMS (13.5 OZ.)
 - RoHS COMPLIANT



COIL TERMINALS
KET090-II, 2 POLE CONNECTOR
CONNECTOR P/N: MG651026
TERMINAL P/N: ST730676-3



MOUNTING HOLES
M5 MACHINE SCREW
TORQUE: 3-4 N-m (26-35 in.lbs.)

ENGINEERING DESIGN DATA

COIL DATA						SHORT CIRCUIT	DIELECTRIC VOLTAGE	ELECTRICAL LIFE
COIL VOLTAGE (VDC)	NOMINAL POWER (WATTS)	PICK-UP VOLTAGE (VDC)	DROP-OUT VOLTAGE (VDC)	MAX. VOLTAGE (VDC)	INRUSH CURRENT (MAX)	MAX @ 450 VDC	(VRMS)	150A @ 450VDC (CYCLES)
12	6.0	9	1.2	15	500mA	1,500 A	2,200	5,000

INTERPRET DRAWING TO ANSI/ASME Y14.5-1994.

●	FIT/ FUNCTION CRITICAL CHARACTERISTICS SYMBOL
<S>	SAFETY/ COMPLIANCE CRITICAL CHARACTERISTICS SYMBOL
CPK	DENOTES CPK DIMENSIONS MINIMUM CPK VALUE
ST	DENOTES A CHARACTERISTIC THAT PROVIDES AN INDICATION OF PROCESS PERFORMANCE PROCEDURE FOR MEASUREMENT AND TRACKING TO BE DEFINED IN LITTELFUSE INSPECTION INSTRUCTIONS
CP	DENOTES CP DIMENSIONS. -MINIMUM CP VALUE MUST BE WITHIN THE DIMENSIONAL LIMITATIONS SHOWN ON DRAWING AND INITIALLY LOCATED TO ALLOW FOR MAXIMUM TOOL LIFE

DIMENSION: MM TOLERANCES UNLESS OTHERWISE SPECIFIED
ONE PLACE DECIMAL ± 0.5 THREE PLACES DECIMAL ± 0.100
TWO PLACES DECIMAL ± 0.20 ANGULAR ± 2°

NAME	DATE
DRAWN DGK	11/20/2019
CHECKED AH	12/11/2019
-	-
-	-

Littelfuse
Expertise Applied | Answers Delivered

FORM NO: CVP-PE40-0004 REV A
THIRD ANGLE PROJECTION

DO NOT SCALE DRAWING

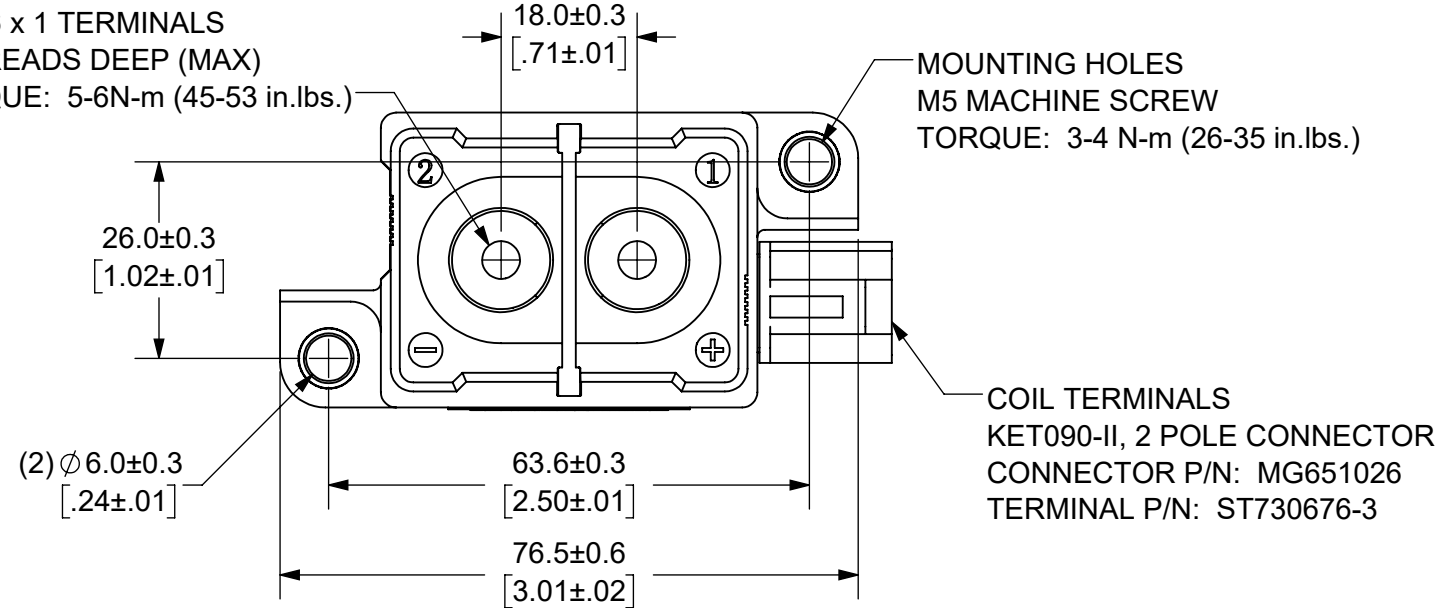
SIZE B DWG. NO. OL-DCNEVT150-BS OUTLINE REV. A

SCALE 1:1 SHEET 1 OF 1

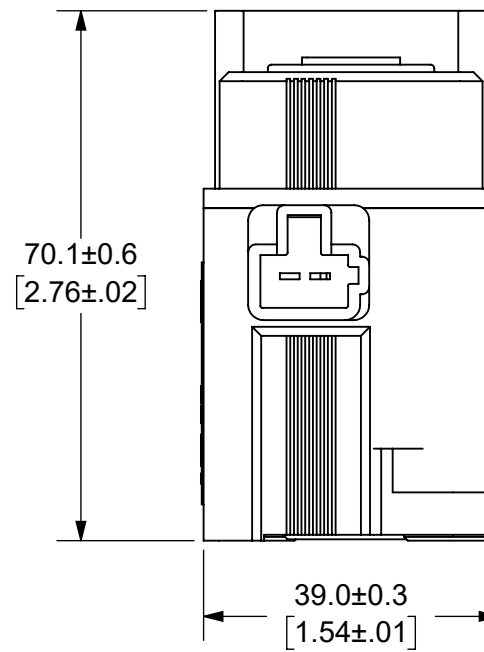
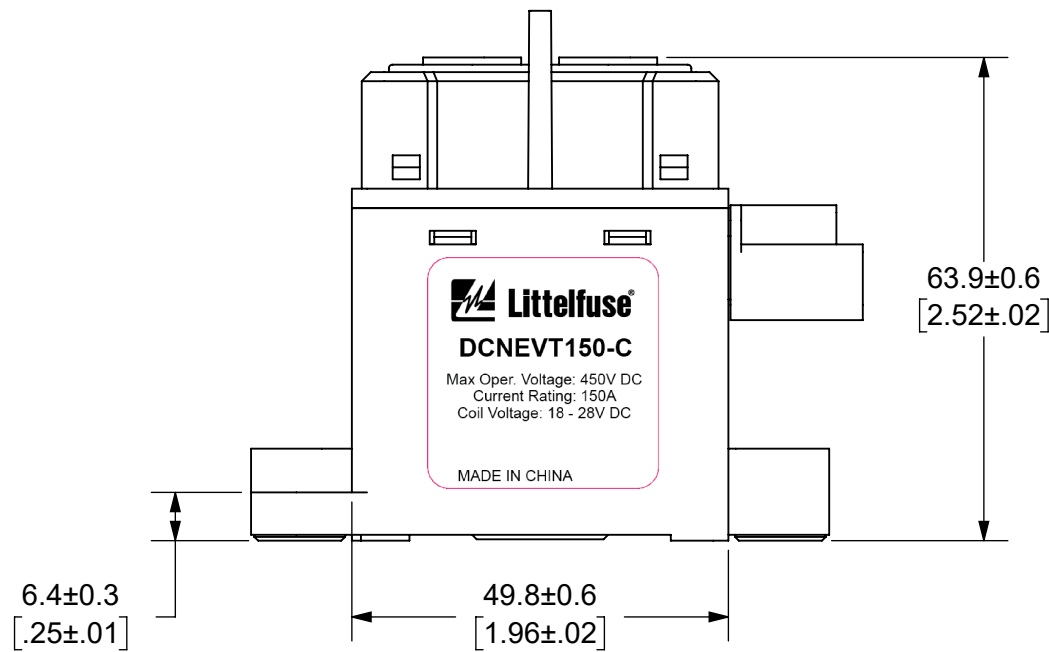
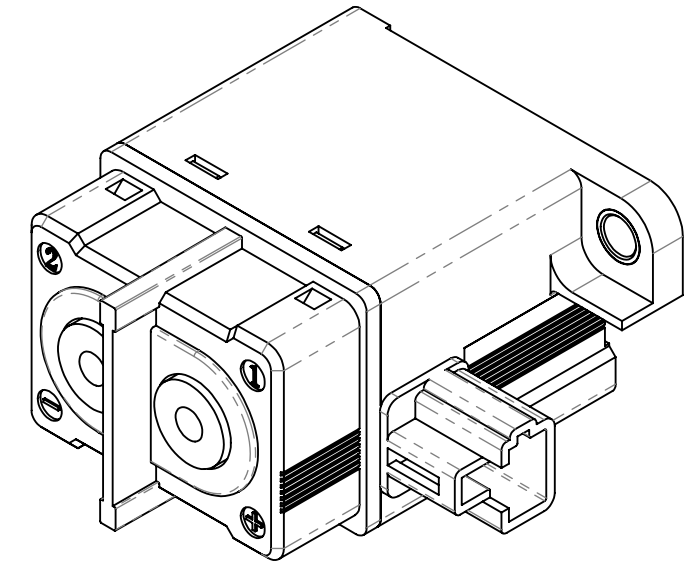
THIS DRAWING AND THE INFORMATION CONTAINED WITHIN IT ARE CONFIDENTIAL AND MAY NOT BE COPIED OR DISCLOSED WITHOUT THE WRITTEN PERMISSION OF LITTELFUSE.

REVISIONS				
ZONE	REV.	DESCRIPTION	DATE	APPROVED
	A	INITIAL RELEASE. GCF 500000021759	12/11/2019	DGK

(2) M6 x 1 TERMINALS
7 THREADS DEEP (MAX)
TORQUE: 5-6N-m (45-53 in.lbs.)



- NOTES: UNLESS OTHERWISE SPECIFIED
- CONTACT ARRANGEMENT: SPST-NO
 - CONTINUOUS CURRENT RATING: 150 AMPS
 - CONTACT VOLTAGE RATING: 12 - 450 VDC
 - CONTACT TERMINALS POLARIZED
 - HARDWARE: NONE
 - WEIGHT: 385 GRAMS (13.5 OZ.)
 - RoHS COMPLIANT



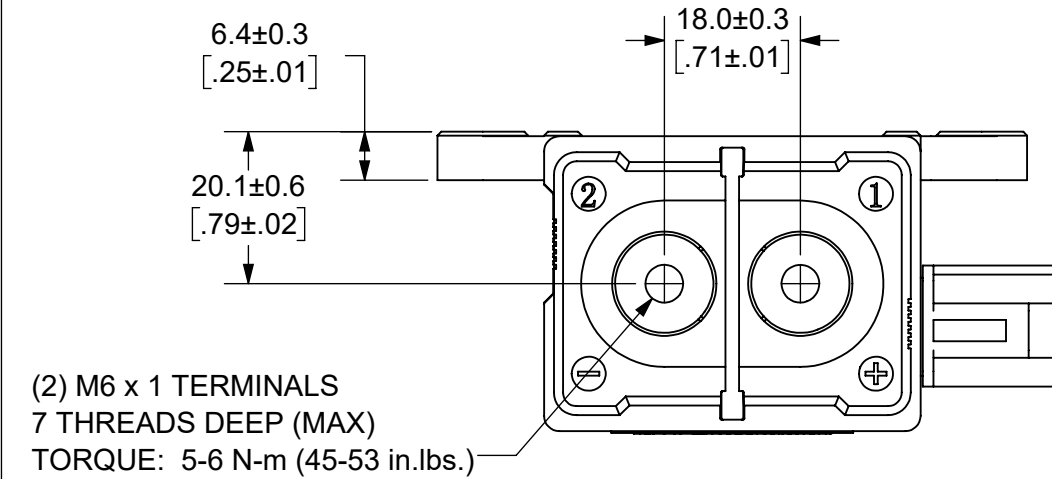
●		FIT/ FUNCTION CRITICAL CHARACTERISTICS SYMBOL
<S>		SAFETY/ COMPLIANCE CRITICAL CHARACTERISTICS SYMBOL
CPK		DENOTES CPK DIMENSIONS MINIMUM CPK VALUE
ST		DENOTES A CHARACTERISTIC THAT PROVIDES AN INDICATION OF PROCESS PERFORMANCE PROCEDURE FOR MEASUREMENT AND TRACKING TO BE DEFINED IN LITTELFUSE INSPECTION INSTRUCTIONS
CP		DENOTES CP DIMENSIONS. -MINIMUM CP VALUE MUST BE WITHIN THE DIMENSIONAL LIMITATIONS SHOWN ON DRAWING AND INITIALLY LOCATED TO ALLOW FOR MAXIMUM TOOL LIFE
DIMENSION: MM TOLERANCES UNLESS OTHERWISE SPECIFIED ONE PLACE DECIMAL ± 0.5 THREE PLACES DECIMAL ± 0.100 TWO PLACES DECIMAL ± 0.20 ANGULAR ± 2°		
NAME	DATE	<p>Expertise Applied Answers Delivered</p> <p>TITLE DC CONTACTOR, 150 AMP 24 VDC, BOTTOM MOUNT</p> <p>FORM NO: CVP-PE40-0004 REV A THIRD ANGLE PROJECTION</p> <p>DO NOT SCALE DRAWING</p>
DRAWN	DGK 11/21/2019	
CHECKED	AH 12/11/2019	
SIZE	DWG. NO.	REV.
B	OL-DCNEVT150-C	A
SCALE 1:1		SHEET 1 OF 1

ENGINEERING DESIGN DATA

COIL DATA						SHORT CIRCUIT	DIELECTRIC VOLTAGE	ELECTRICAL LIFE
COIL VOLTAGE (VDC)	NOMINAL POWER (WATTS)	PICK-UP VOLTAGE (VDC)	DROP-OUT VOLTAGE (VDC)	MAX. VOLTAGE (VDC)	INRUSH CURRENT (MAX)	MAX @ 450 VDC	(VRMS)	150A @ 450VDC (CYCLES)
24	6.0	18	2.4	28	250mA	1,500 A	2,200	5,000

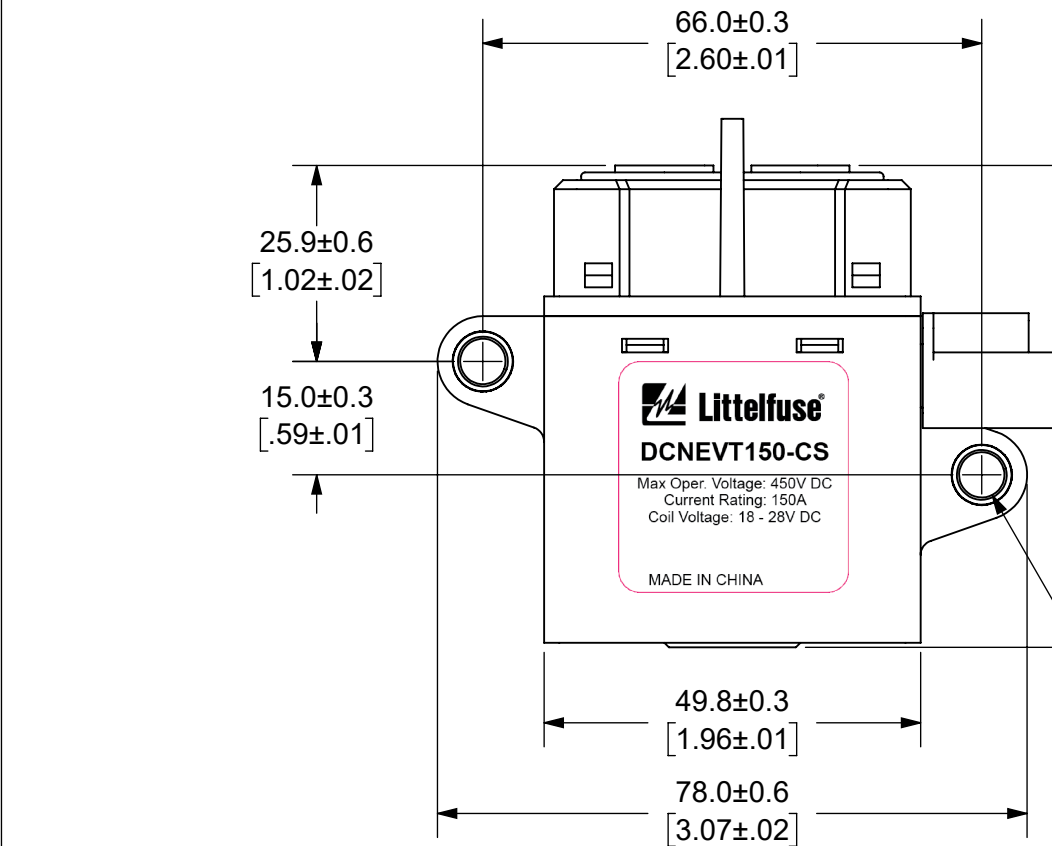
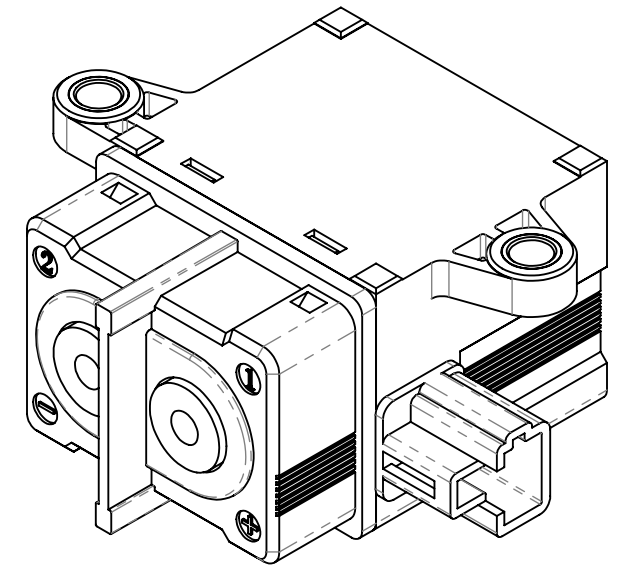
THIS DRAWING AND THE INFORMATION CONTAINED WITHIN IT ARE CONFIDENTIAL AND MAY NOT BE COPIED OR DISCLOSED WITHOUT THE WRITTEN PERMISSION OF LITTELFUSE.

REVISIONS				
ZONE	REV.	DESCRIPTION	DATE	APPROVED
	A	INITIAL RELEASE. GCF 500000021759	12/11/2019	DGK

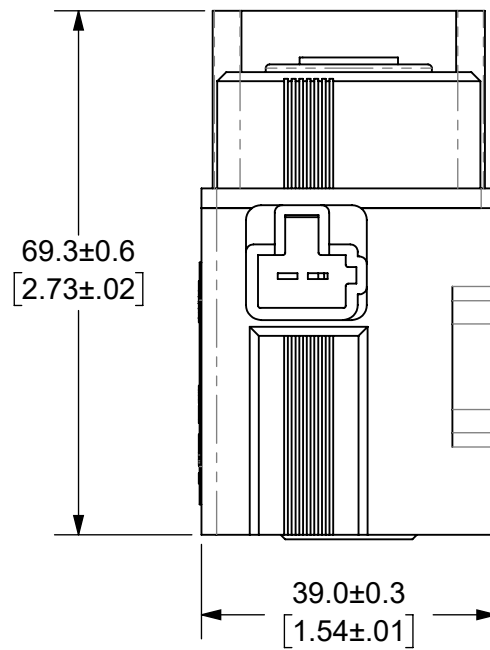


- NOTES: UNLESS OTHERWISE SPECIFIED
1. CONTACT ARRANGEMENT: SPST-NO
 2. CONTINUOUS CURRENT RATING: 150 AMPS
 3. CONTACT VOLTAGE RATING: 12 - 450 VDC
 4. CONTACT TERMINALS POLARIZED
 5. HARDWARE: NONE
 6. WEIGHT: 385 GRAMS (13.5 OZ.)
 7. RoHS COMPLIANT

COIL TERMINALS
KET090-II, 2 POLE CONNECTOR
CONNECTOR P/N: MG651026
TERMINAL P/N: ST730676-3



MOUNTING HOLES
M5 MACHINE SCREW
TORQUE: 3-4 N-m (26-35 in.lbs.)



Littelfuse
DCNEVT150-CS
Max Oper. Voltage: 450V DC
Current Rating: 150A
Coil Voltage: 18 - 28V DC
MADE IN CHINA

●		FIT/ FUNCTION CRITICAL CHARACTERISTICS SYMBOL
<S>		SAFETY/ COMPLIANCE CRITICAL CHARACTERISTICS SYMBOL
CPK		DENOTES CPK DIMENSIONS MINIMUM CPK VALUE
ST		DENOTES A CHARACTERISTIC THAT PROVIDES AN INDICATION OF PROCESS PERFORMANCE PROCEDURE FOR MEASUREMENT AND TRACKING TO BE DEFINED IN LITTELFUSE INSPECTION INSTRUCTIONS
CP		DENOTES CP DIMENSIONS. -MINIMUM CP VALUE MUST BE WITHIN THE DIMENSIONAL LIMITATIONS SHOWN ON DRAWING AND INITIALLY LOCATED TO ALLOW FOR MAXIMUM TOOL LIFE
DIMENSION: MM TOLERANCES UNLESS OTHERWISE SPECIFIED ONE PLACE DECIMAL ± 0.5 THREE PLACES DECIMAL ± 0.100 TWO PLACES DECIMAL ± 0.20 ANGULAR ± 2°		
NAME	DATE	 Expertise Applied Answers Delivered TITLE DC CONTACTOR, 150 AMP 24 VDC, SIDE MOUNT
DRAWN DGK	11/21/2019	
CHECKED AH	12/11/2019	
-	-	
FORM NO: CVP-PE40-0004 REV A		SIZE B DWG. NO. OL-DCNEVT150-CS OUTLINE REV. A
THIRD ANGLE PROJECTION		SCALE 1:1
DO NOT SCALE DRAWING		SHEET 1 OF 1

ENGINEERING DESIGN DATA

COIL DATA						SHORT CIRCUIT	DIELECTRIC VOLTAGE	ELECTRICAL LIFE
COIL VOLTAGE (VDC)	NOMINAL POWER (WATTS)	PICK-UP VOLTAGE (VDC)	DROP-OUT VOLTAGE (VDC)	MAX. VOLTAGE (VDC)	INRUSH CURRENT (MAX)	MAX @ 450 VDC	(VRMS)	150A @ 450VDC (CYCLES)
24	6.0	18	2.4	28	250mA	1,500 A	2,200	5,000