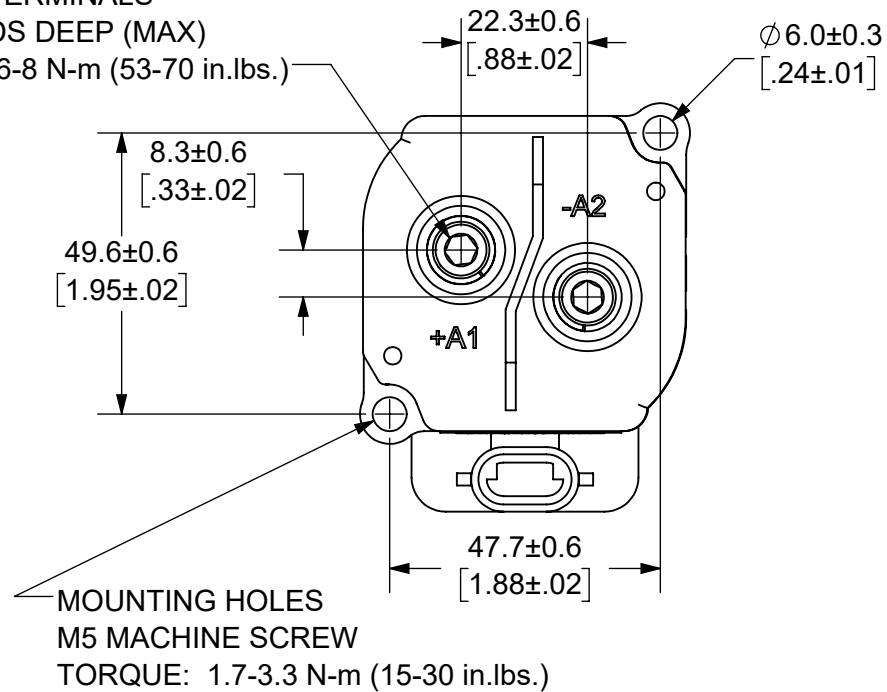


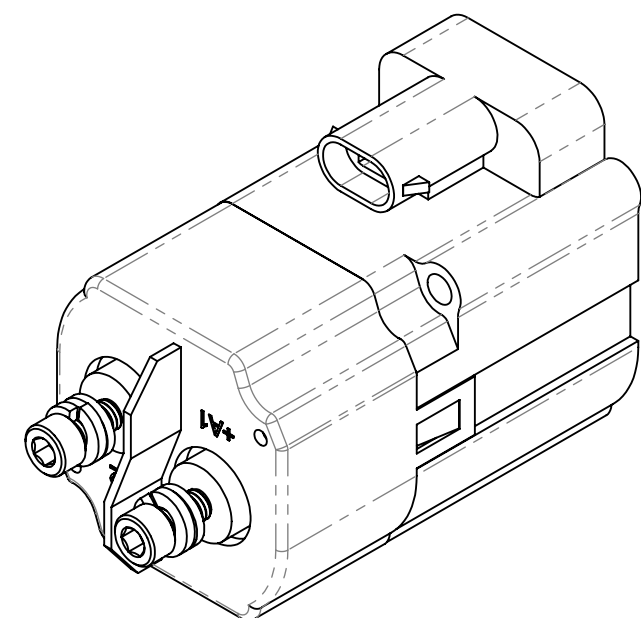
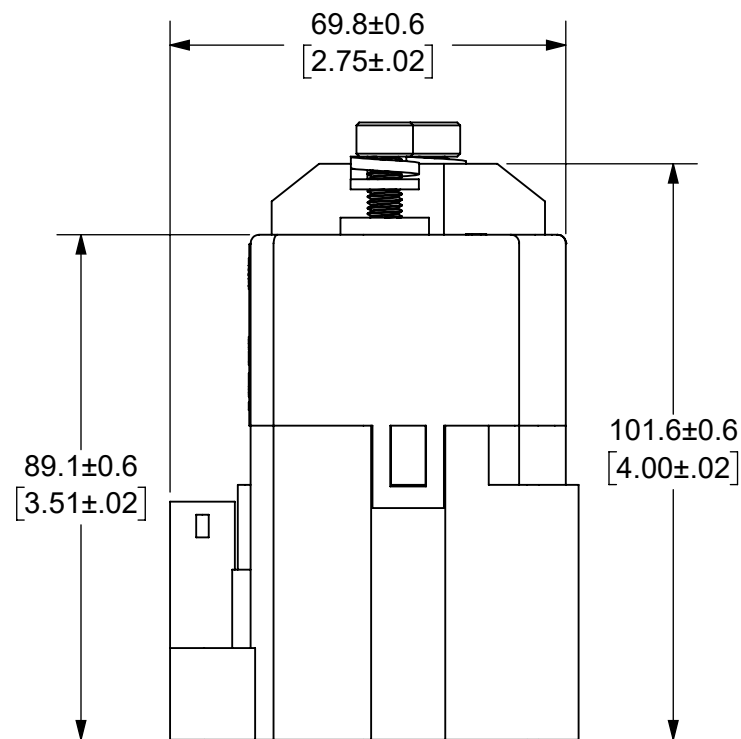
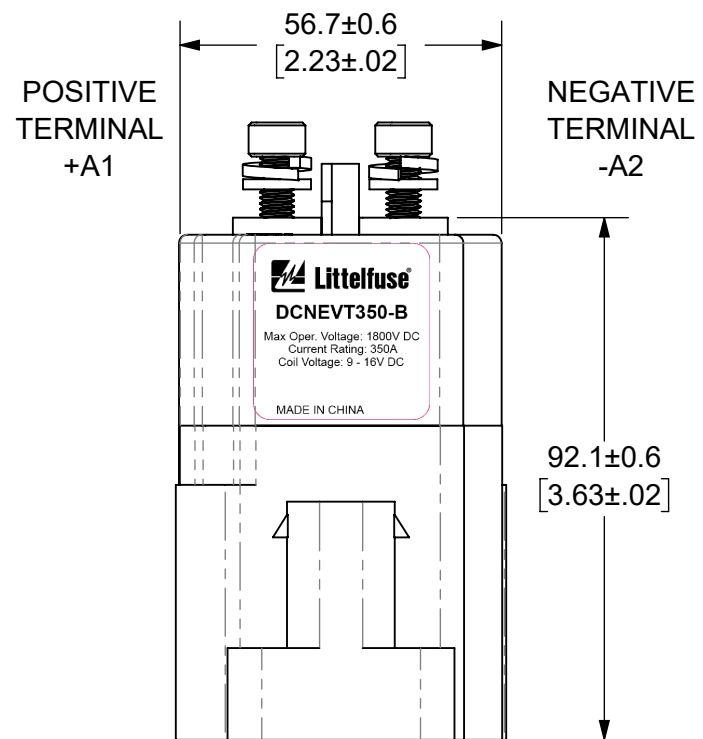
THIS DRAWING AND THE INFORMATION CONTAINED WITHIN IT ARE CONFIDENTIAL AND MAY NOT BE COPIED OR DISCLOSED WITHOUT THE WRITTEN PERMISSION OF LITTELFUSE.

REVISIONS				
ZONE	REV.	DESCRIPTION	DATE	APPROVED
	A	INITIAL RELEASE. GCF 500000021763	12/16/2019	DGK

(2) M6 x 1 TERMINALS
12 THREADS DEEP (MAX)
TORQUE: 6-8 N-m (53-70 in.lbs.)



- NOTES: UNLESS OTHERWISE SPECIFIED
- CONTACT ARRANGEMENT: SPST-NO
 - CONTINUOUS CURRENT RATING: 350 AMPS
 - CONTACT VOLTAGE RATING: 12 - 1,800 VDC
 - CONTACT TERMINALS POLARIZED
 - HARDWARE: 2 - M6 MACHINE SCREWS, 2 - M6 LOCKWASHERS, 2 - M6 FLAT WASHERS
 - WEIGHT: 800 GRAMS (28.2 OZ.)
 - RoHS COMPLIANT
 - COIL CONNECTOR INCLUDED WITH 7 INCH WIRE LEADS.



INTERPRET DRAWING TO ANSI/ASME Y14.5-1994.		
●	FIT/ FUNCTION CRITICAL CHARACTERISTICS SYMBOL	
<S>	SAFETY/ COMPLIANCE CRITICAL CHARACTERISTICS SYMBOL	
CPK	DENOTES CPK DIMENSIONS MINIMUM CPK VALUE	
ST	DENOTES A CHARACTERISTIC THAT PROVIDES AN INDICATION OF PROCESS PERFORMANCE PROCEDURE FOR MEASUREMENT AND TRACKING TO BE DEFINED IN LITTELFUSE INSPECTION INSTRUCTIONS	
CP	DENOTES CP DIMENSIONS. -MINIMUM CP VALUE MUST BE WITHIN THE DIMENSIONAL LIMITATIONS SHOWN ON DRAWING AND INITIALLY LOCATED TO ALLOW FOR MAXIMUM TOOL LIFE	
DIMENSION: MM TOLERANCES UNLESS OTHERWISE SPECIFIED ONE PLACE DECIMAL ± 0.5 THREE PLACES DECIMAL ± 0.100 TWO PLACES DECIMAL ± 0.20 ANGULAR ± 2°		
NAME	DATE	
DRAWN DGK	11/26/2019	
CHECKED AH	12/13/2019	
Littelfuse Expertise Applied Answers Delivered		
FORM NO: CVP-PE40-0004 REV A		TITLE
THIRD ANGLE PROJECTION		DC CONTACTOR, 350 AMP 12 VDC
SIZE B	DWG. NO. OL-DCNEVT350-B	OUTLINE REV. A
DO NOT SCALE DRAWING		SCALE 3:4 SHEET 1 OF 1

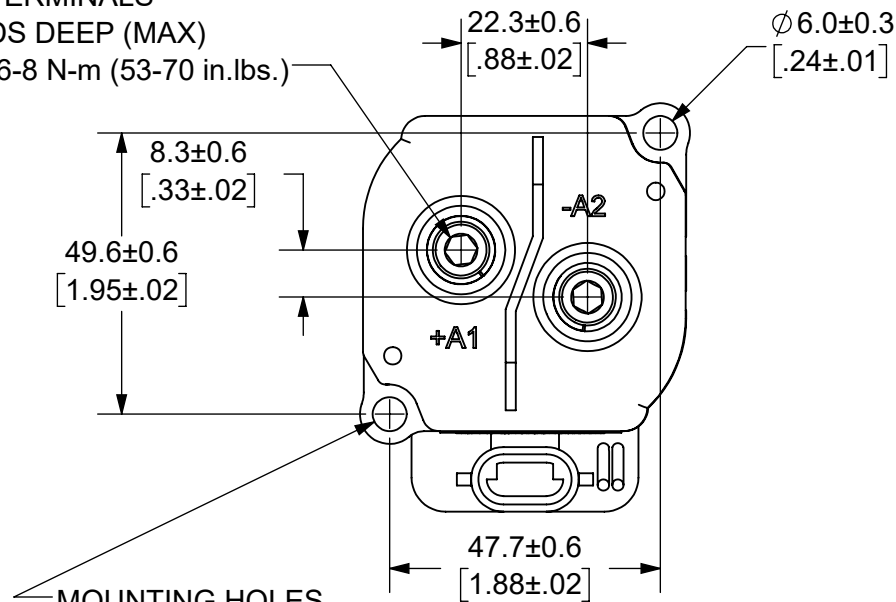
ENGINEERING DESIGN DATA

COIL DATA							SHORT CIRCUIT	DIELECTRIC VOLTAGE	ELECTRICAL LIFE
COIL VOLTAGE (VDC)	NOMINAL POWER (WATTS)	PICK-UP VOLTAGE (VDC)	DROP-OUT VOLTAGE (VDC)	MAX. VOLTAGE (VDC)	INRUSH CURRENT (MAX)	HOLDING CURRENT	MAX @ 450 VDC	(VRMS)	350A @ 450VDC (CYCLES)
12	4.1	9	5	16	2.8A	0.34A	2,300 A	2,200	3,000

THIS DRAWING AND THE INFORMATION CONTAINED WITHIN IT ARE CONFIDENTIAL AND MAY NOT BE COPIED OR DISCLOSED WITHOUT THE WRITTEN PERMISSION OF LITTELFUSE.

REVISIONS				
ZONE	REV.	DESCRIPTION	DATE	APPROVED
	A	INITIAL RELEASE. GCF 500000021763	12/16/2019	DGK

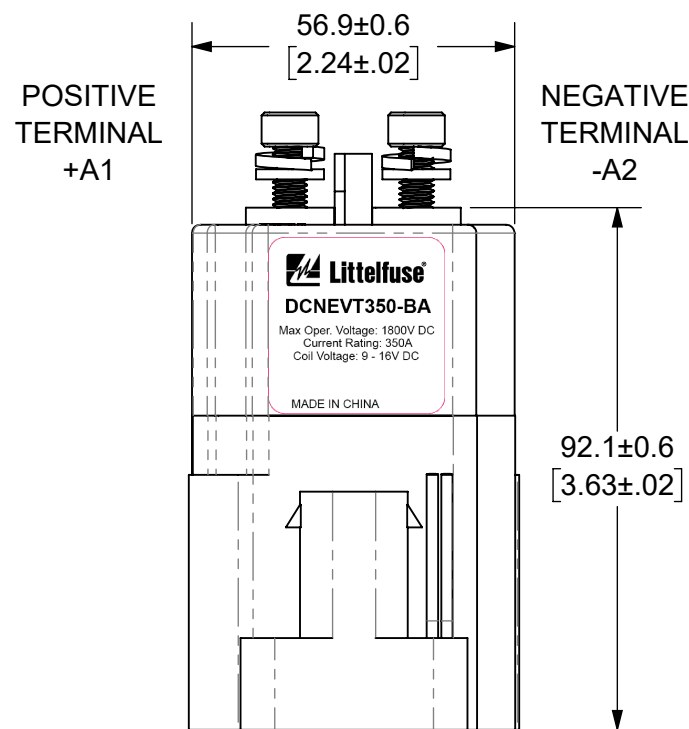
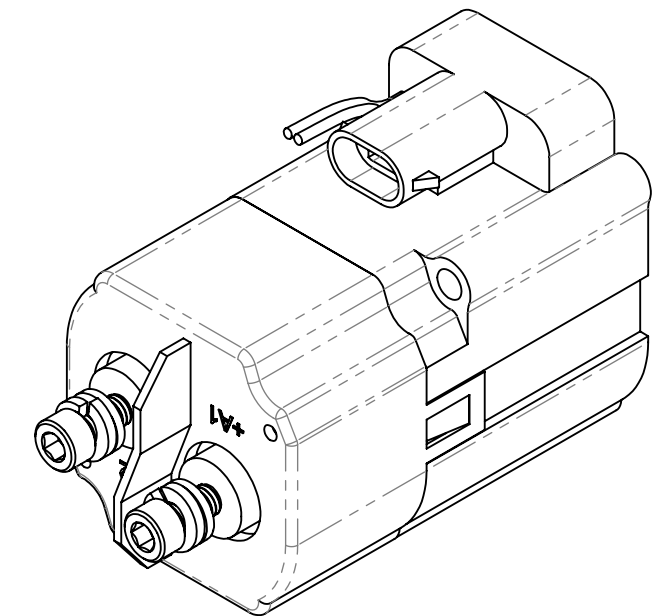
(2) M6 x 1 TERMINALS
12 THREADS DEEP (MAX)
TORQUE: 6-8 N-m (53-70 in.lbs.)



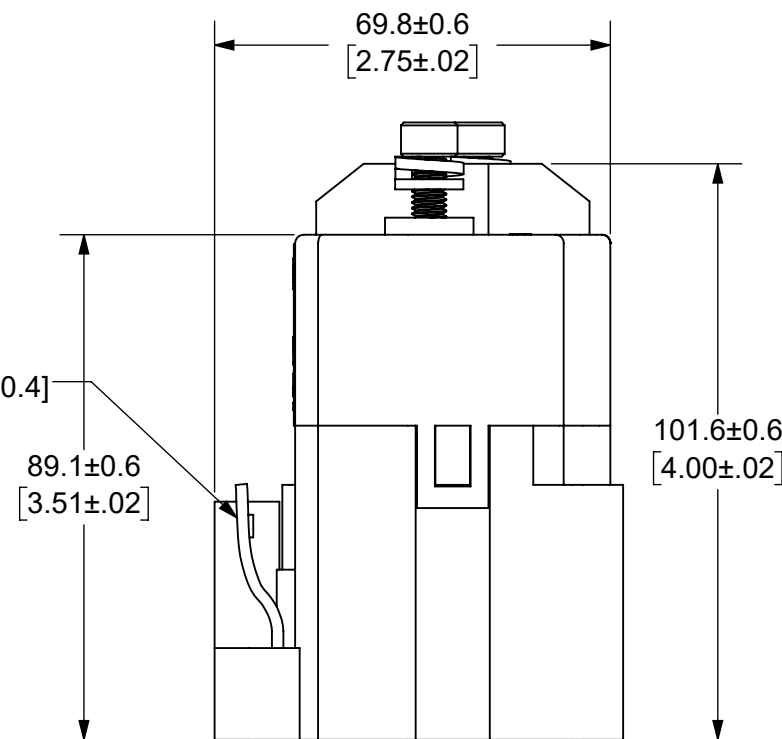
MOUNTING HOLES
M5 MACHINE SCREW
TORQUE: 1.7-3.3 N-m (15-30 in.lbs.)

NOTES: UNLESS OTHERWISE SPECIFIED

- CONTACT ARRANGEMENT: SPST-NO
- CONTINUOUS CURRENT RATING: 350 AMPS
- CONTACT VOLTAGE RATING: 12 - 1,800 VDC
- CONTACT TERMINALS POLARIZED
- HARDWARE: 2 - M6 MACHINE SCREWS, 2 - M6 LOCKWASHERS, 2 - M6 FLAT WASHERS
- WEIGHT: 800 GRAMS (28.2 OZ.)
- RoHS COMPLIANT
- COIL CONNECTOR INCLUDED WITH 7 INCH WIRE LEADS.
- AUXILIARY CONTACT RATING, SPST-NO:
2A @ 30VDC
3A @ 125VDC



AUXILIARY CONTACT, SPST-NO
WHITE WIRES
LENGTH: 150 ± 10 [6.0 ± 0.4]



ENGINEERING DESIGN DATA

COIL DATA							SHORT CIRCUIT	DIELECTRIC VOLTAGE	ELECTRICAL LIFE
COIL VOLTAGE (VDC)	NOMINAL POWER (WATTS)	PICK-UP VOLTAGE (VDC)	DROP-OUT VOLTAGE (VDC)	MAX. VOLTAGE (VDC)	INRUSH CURRENT (MAX)	HOLDING CURRENT	MAX @ 450 VDC	(VRMS)	350A @ 450VDC (CYCLES)
12	4.1	9	5	16	2.8A	0.34A	2,300 A	2,200	3,000

INTERPRET DRAWING TO ANSI/ASME Y14.5-1994.		
●	FIT/ FUNCTION CRITICAL CHARACTERISTICS SYMBOL	
<S>	SAFETY/ COMPLIANCE CRITICAL CHARACTERISTICS SYMBOL	
CPK	DENOTES CPK DIMENSIONS MINIMUM CPK VALUE	
ST	DENOTES A CHARACTERISTIC THAT PROVIDES AN INDICATION OF PROCESS PERFORMANCE PROCEDURE FOR MEASUREMENT AND TRACKING TO BE DEFINED IN LITTELFUSE INSPECTION INSTRUCTIONS	
CP	DENOTES CP DIMENSIONS. -MINIMUM CP VALUE MUST BE WITHIN THE DIMENSIONAL LIMITATIONS SHOWN ON DRAWING AND INITIALLY LOCATED TO ALLOW FOR MAXIMUM TOOL LIFE	
DIMENSION: MM TOLERANCES UNLESS OTHERWISE SPECIFIED ONE PLACE DECIMAL ± 0.5 THREE PLACES DECIMAL ± 0.100 TWO PLACES DECIMAL ± 0.20 ANGULAR $\pm 2^\circ$		
NAME	DATE	
DRAWN DGK	11/26/2019	
CHECKED AH	12/13/2019	
Littelfuse® Expertise Applied Answers Delivered		
FORM NO: CVP-PE40-0004 REV A		
THIRD ANGLE PROJECTION		
TITLE DC CONTACTOR, 350 AMP 12 VDC, AUX. CONTACT		
SIZE B	DWG. NO. OL-DCNEVT350-BA	OUTLINE REV. A
DO NOT SCALE DRAWING		SCALE 3:4
		SHEET 1 OF 1

8

7

6

5

4

3

2

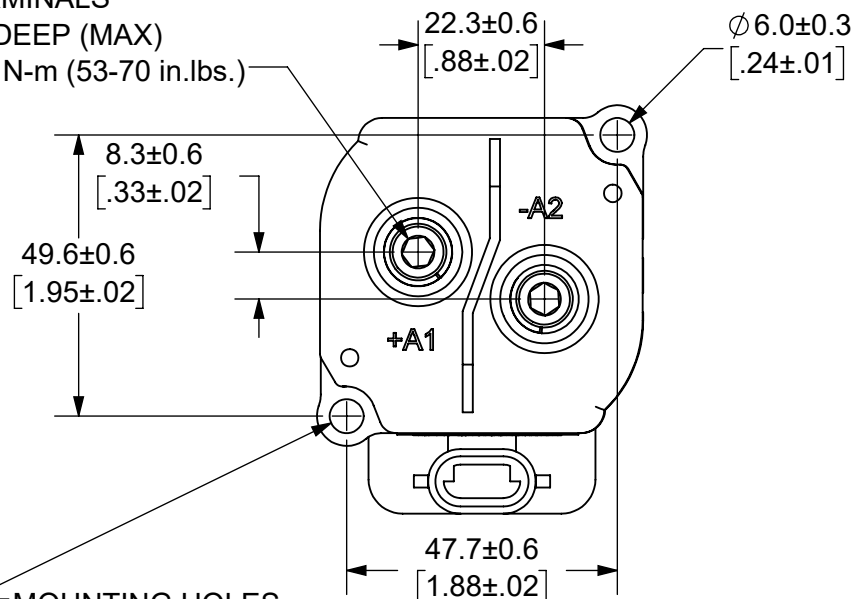
1

THIS DRAWING AND THE INFORMATION CONTAINED WITHIN IT ARE CONFIDENTIAL AND MAY NOT BE COPIED OR DISCLOSED WITHOUT THE WRITTEN PERMISSION OF LITTELFUSE.

REVISIONS

ZONE	REV.	DESCRIPTION	DATE	APPROVED
	A	INITIAL RELEASE. GCF 500000021763	12/16/2019	DGK

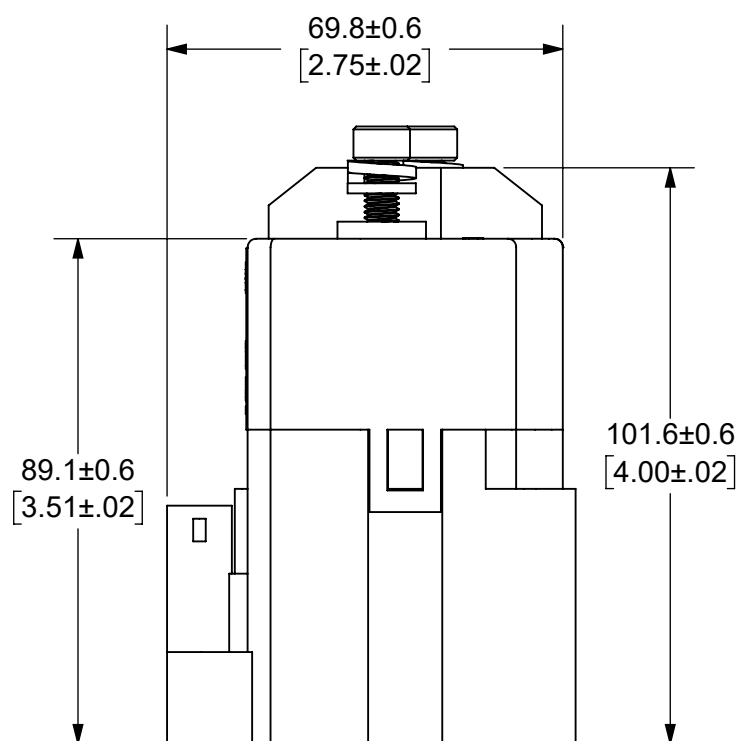
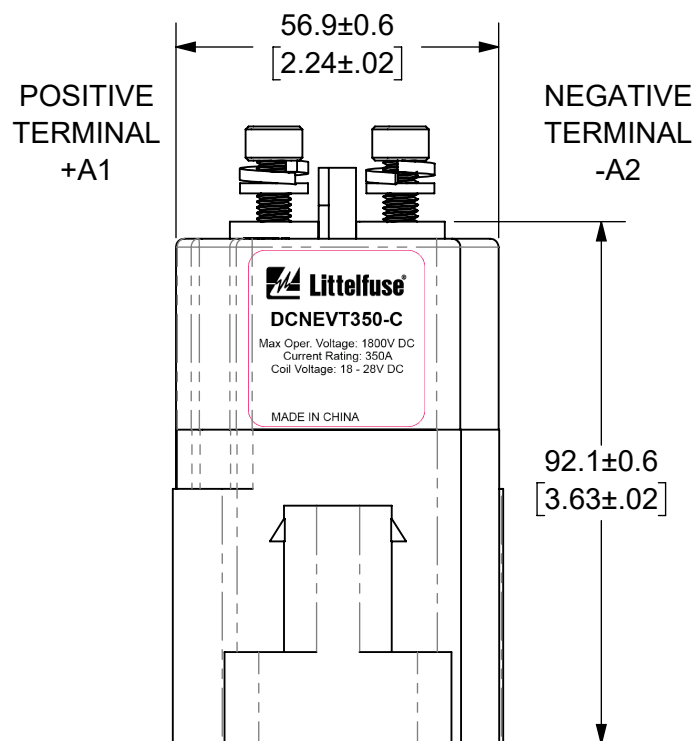
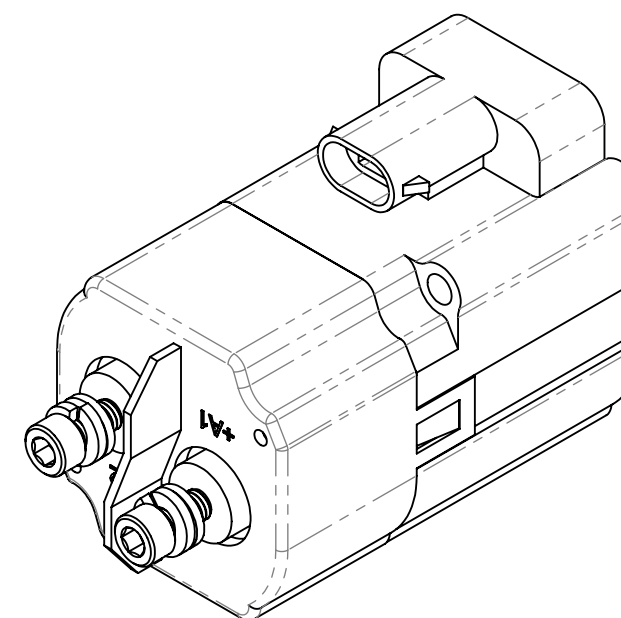
(2) M6 x 1 TERMINALS
12 THREADS DEEP (MAX)
TORQUE: 6-8 N-m (53-70 in.lbs.)



MOUNTING HOLES
M5 MACHINE SCREW
TORQUE: 1.7-3.3 N-m (15-30 in.lbs.)

NOTES: UNLESS OTHERWISE SPECIFIED

- CONTACT ARRANGEMENT: SPST-NO
- CONTINUOUS CURRENT RATING: 350 AMPS
- CONTACT VOLTAGE RATING: 12 - 1,800 VDC
- CONTACT TERMINALS POLARIZED
- HARDWARE: 2 - M6 MACHINE SCREWS, 2 - M6 LOCKWASHERS, 2 - M6 FLAT WASHERS
- WEIGHT: 800 GRAMS (28.2 OZ.)
- RoHS COMPLIANT
- COIL CONNECTOR INCLUDED WITH 7 INCH WIRE LEADS.



●		FIT/ FUNCTION CRITICAL CHARACTERISTICS SYMBOL
<S>		SAFETY/ COMPLIANCE CRITICAL CHARACTERISTICS SYMBOL
CPK		DENOTES CPK DIMENSIONS MINIMUM CPK VALUE
ST		DENOTES A CHARACTERISTIC THAT PROVIDES AN INDICATION OF PROCESS PERFORMANCE PROCEDURE FOR MEASUREMENT AND TRACKING TO BE DEFINED IN LITTELFUSE INSPECTION INSTRUCTIONS
CP		DENOTES CP DIMENSIONS, -MINIMUM CP VALUE MUST BE WITHIN THE DIMENSIONAL LIMITATIONS SHOWN ON DRAWING AND INITIALLY LOCATED TO ALLOW FOR MAXIMUM TOOL LIFE
DIMENSION: MM TOLERANCES UNLESS OTHERWISE SPECIFIED ONE PLACE DECIMAL ± 0.5 THREE PLACES DECIMAL ± 0.100 TWO PLACES DECIMAL ± 0.20 ANGULAR ± 2°		
NAME	DATE	<p>Littelfuse Expertise Applied Answers Delivered</p>
DRAWN DGK	11/26/2019	
CHECKED AH	12/13/2019	
-	-	
FORM NO: CVP-PE40-0004 REV A		TITLE
THIRD ANGLE PROJECTION		DC CONTACTOR, 350 AMP 24 VDC
SIZE B	DWG. NO. OL-DCNEVT350-C	OUTLINE REV. A
DO NOT SCALE DRAWING		SCALE 3:4 SHEET 1 OF 1

ENGINEERING DESIGN DATA

COIL DATA							SHORT CIRCUIT	DIELECTRIC VOLTAGE	ELECTRICAL LIFE
COIL VOLTAGE (VDC)	NOMINAL POWER (WATTS)	PICK-UP VOLTAGE (VDC)	DROP-OUT VOLTAGE (VDC)	MAX. VOLTAGE (VDC)	INRUSH CURRENT (MAX)	HOLDING CURRENT	MAX @ 450 VDC	(VRMS)	350A @ 450VDC (CYCLES)
24	2.6	18	10	28	1.8A	0.11A	2,300 A	2,200	3,000

8

7

6

5

4

3

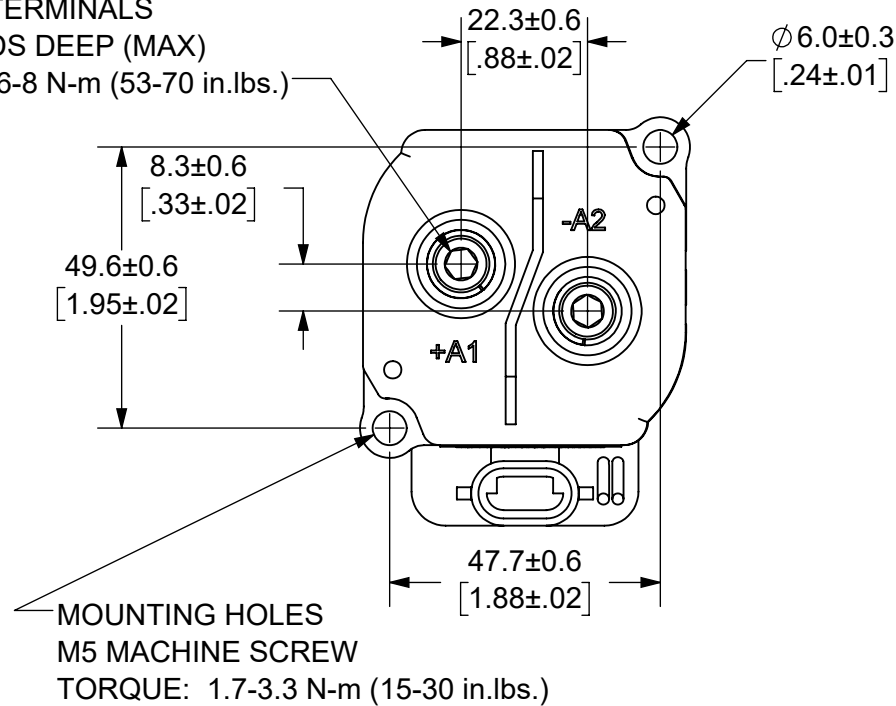
2

1

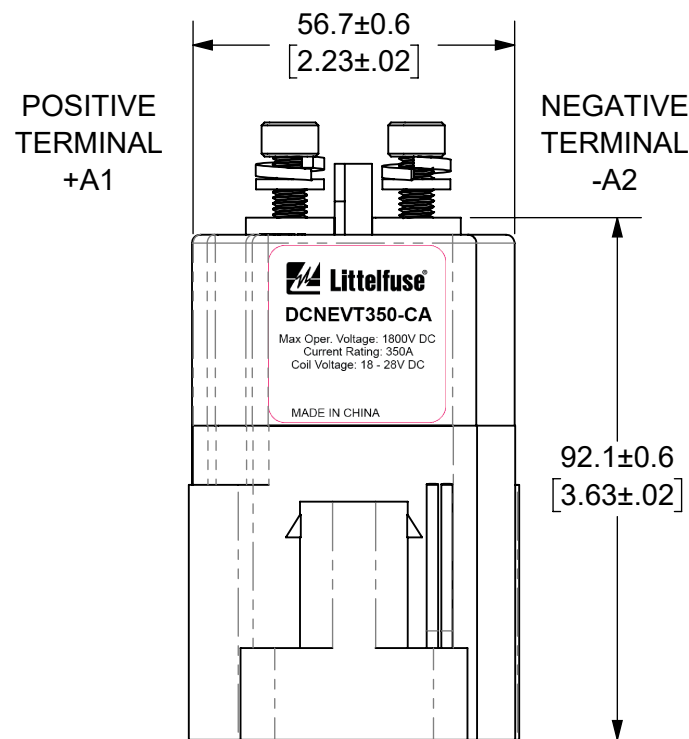
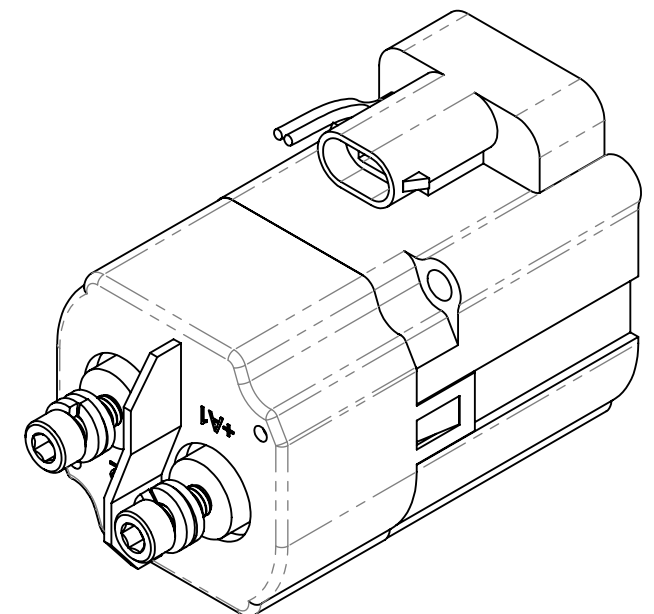
THIS DRAWING AND THE INFORMATION CONTAINED WITHIN IT ARE CONFIDENTIAL AND MAY NOT BE COPIED OR DISCLOSED WITHOUT THE WRITTEN PERMISSION OF LITTELFUSE.

REVISIONS				
ZONE	REV.	DESCRIPTION	DATE	APPROVED
	A	INITIAL RELEASE. GCF 500000021763	12/16/2019	DGK

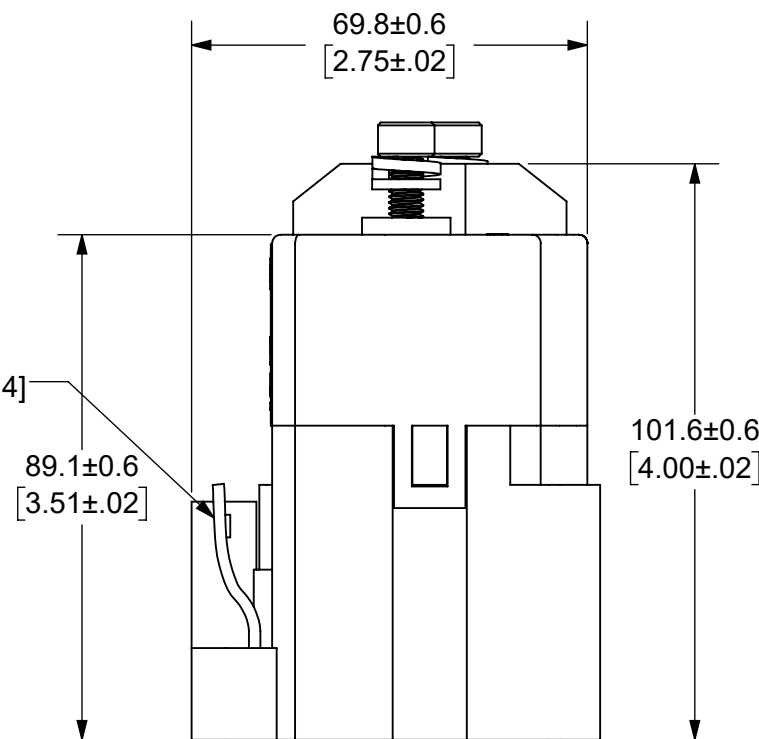
(2) M6 x 1 TERMINALS
12 THREADS DEEP (MAX)
TORQUE: 6-8 N-m (53-70 in.lbs.)



- NOTES: UNLESS OTHERWISE SPECIFIED
- CONTACT ARRANGEMENT: SPST-NO
 - CONTINUOUS CURRENT RATING: 350 AMPS
 - CONTACT VOLTAGE RATING: 12 - 1,800 VDC
 - CONTACT TERMINALS POLARIZED
 - HARDWARE: 2 - M6 MACHINE SCREWS, 2 - M6 LOCKWASHERS, 2 - M6 FLAT WASHERS
 - WEIGHT: 800 GRAMS (28.2 OZ.)
 - RoHS COMPLIANT
 - COIL CONNECTOR INCLUDED WITH 7 INCH WIRE LEADS.
 - AUXILIARY CONTACT RATING, SPST-NO:
2A @ 30VDC
3A @ 125VDC



AUXILIARY CONTACT, SPST-NO
WHITE WIRES
LENGTH: 150 ± 10 [6.0 ± 0.4]



INTERPRET DRAWING TO ANSI/ASME Y14.5-1994.	
●	FIT/ FUNCTION CRITICAL CHARACTERISTICS SYMBOL
<S>	SAFETY/ COMPLIANCE CRITICAL CHARACTERISTICS SYMBOL
CPK	DENOTES CPK DIMENSIONS MINIMUM CPK VALUE
ST	DENOTES A CHARACTERISTIC THAT PROVIDES AN INDICATION OF PROCESS PERFORMANCE PROCEDURE FOR MEASUREMENT AND TRACKING TO BE DEFINED IN LITTELFUSE INSPECTION INSTRUCTIONS
CP	DENOTES CP DIMENSIONS. -MINIMUM CP VALUE MUST BE WITHIN THE DIMENSIONAL LIMITATIONS SHOWN ON DRAWING AND INITIALLY LOCATED TO ALLOW FOR MAXIMUM TOOL LIFE
DIMENSION: MM TOLERANCES UNLESS OTHERWISE SPECIFIED ONE PLACE DECIMAL ± 0.5 THREE PLACES DECIMAL ± 0.100 TWO PLACES DECIMAL ± 0.20 ANGULAR $\pm 2^\circ$	
NAME	DATE
DRAWN DGK	11/26/2019
CHECKED AH	12/13/2019
Littelfuse Expertise Applied Answers Delivered	
FORM NO: CVP-PE40-0004 REV A	
THIRD ANGLE PROJECTION	
TITLE DC CONTACTOR, 350 AMP 24 VDC, AUX. CONTACT	
SIZE B	DWG. NO. OL-DCNEVT350-CA
DO NOT SCALE DRAWING	SCALE 3:4
	OUTLINE REV. A
	SHEET 1 OF 1

ENGINEERING DESIGN DATA

COIL DATA							SHORT CIRCUIT	DIELECTRIC VOLTAGE	ELECTRICAL LIFE
COIL VOLTAGE (VDC)	NOMINAL POWER (WATTS)	PICK-UP VOLTAGE (VDC)	DROP-OUT VOLTAGE (VDC)	MAX. VOLTAGE (VDC)	INRUSH CURRENT (MAX)	HOLDING CURRENT	MAX @ 450 VDC	(VRMS)	350A @ 450VDC (CYCLES)
24	2.6	18	10	28	1.8A	0.11A	2,300 A	2,200	3,000