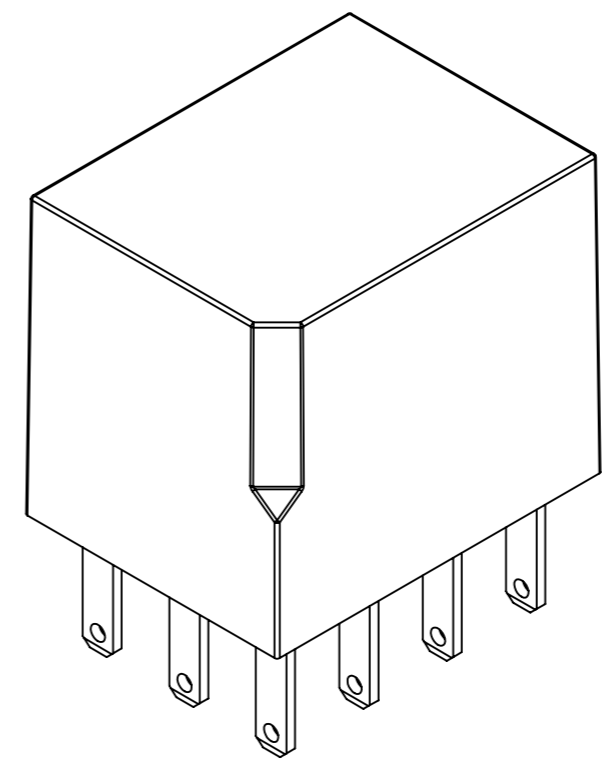
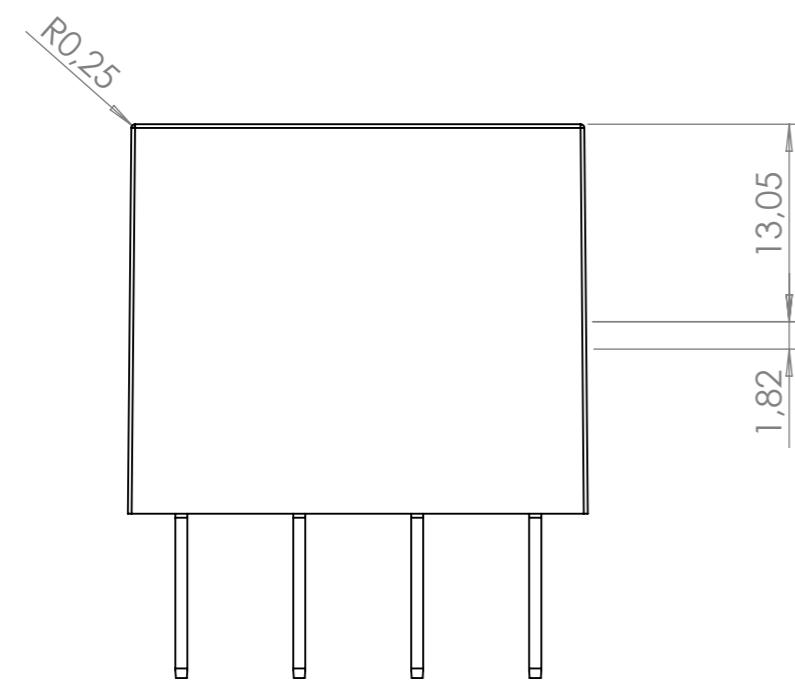
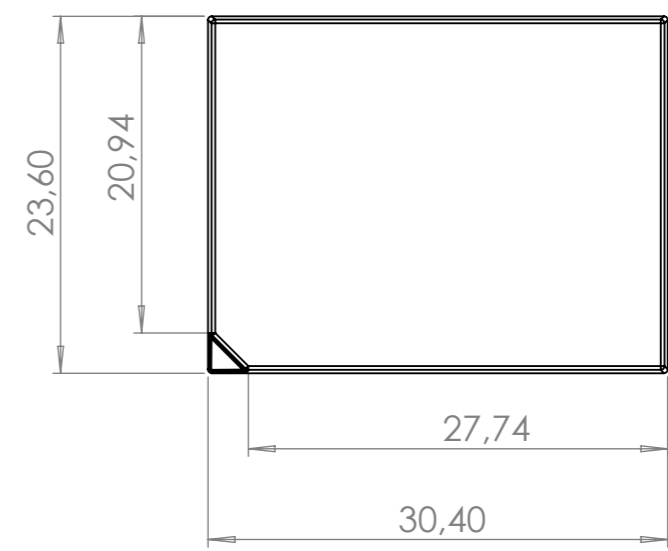
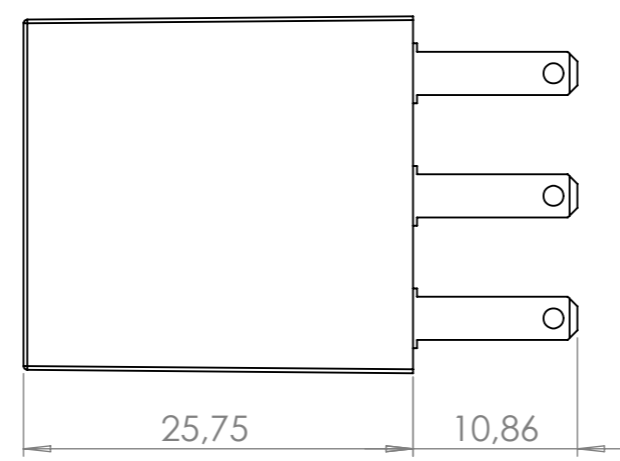
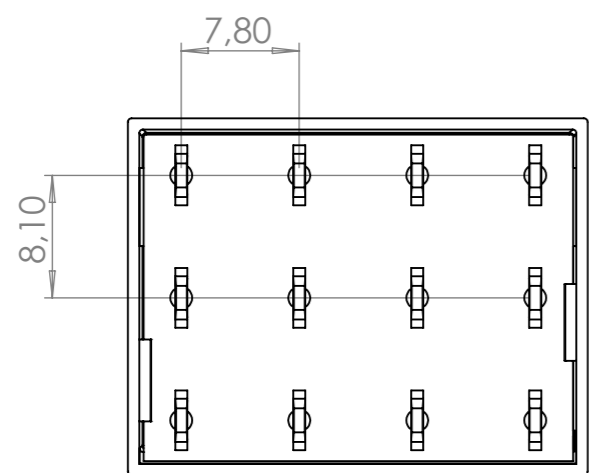


THIS DRAWING AND THE INFORMATION CONTAINED WITHIN IT ARE CONFIDENTIAL AND MAY NOT BE COPIED OR DISCLOSED WITHOUT THE WRITTEN PERMISSION OF LITTELFUSE.

REV	DATE	DESCRIPTION	DESIGNED	CHECKED
A	08/02/2018	ISSUED	F. Gasparini	C. Crovetti



LF CODE	Rev.	DENOMINATION	MRS Part
LFMCRPLX001	A	MicroPlex 7X	1.132.300.00
LFMCRPLX002	A	MicroPlex 7H	1.133.300.00
LFMCRPLX003	A	MicroPlex 7L	1.134.300.00

INTERPRET DRAWING TO ANSI/ASME Y14.5-1994.

- DENOTES PRODUCTS CRITICAL CHARACTERISTICS
- CPK DENOTES CPK DIMENSIONS MINIMUM CPK VALUE
- (ST) DENOTES A CHARACTERISTIC THAT PROVIDES AN INDICATION OF PROCESS PERFORMANCE. PROCEDURE FOR MEASUREMENT AND TRACKING TO BE DEFINED IN LITTELFUSE INSPECTION INSTRUCTIONS
- CP DENOTES CP DIMENSIONS, -MINIMUM CP VALUE MUST BE WITHIN THE DIMENSIONAL LIMITATIONS SHOWN ON DRAWING AND INITIALLY LOCATED TO ALLOW FOR MAXIMUM TOOL LIFE

TOLERANCES UNLESS OTHERWISE SPECIFIED  
 ONE PLACE DECIMAL ± 0.5      THREE PLACES DECIMAL ± 0.100  
 TWO PLACES DECIMAL ± 0.20      ANGULAR ± 2°

DRAWN	NAME	DATE
	F. Gasparini	06/02/2018

**Littelfuse**  
 Expertise Applied | Answers Delivered

TITLE  
 MicroPlex CAN Controller

FIRST ANGLE PROJECTION

DO NOT SCALE DRAWING

SIZE: A3	DWG. NO. LFMCRPLX000	REV. A
SCALE 2:1	SHEET 1 OF 1	