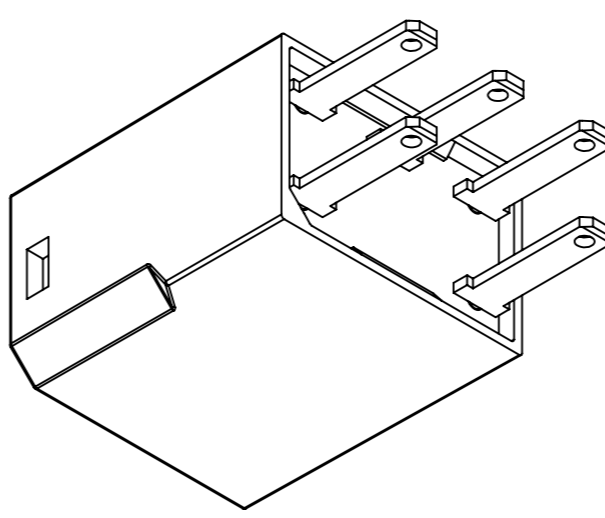
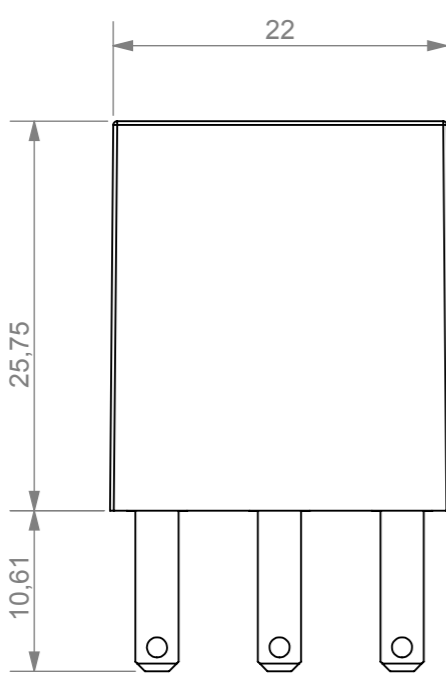
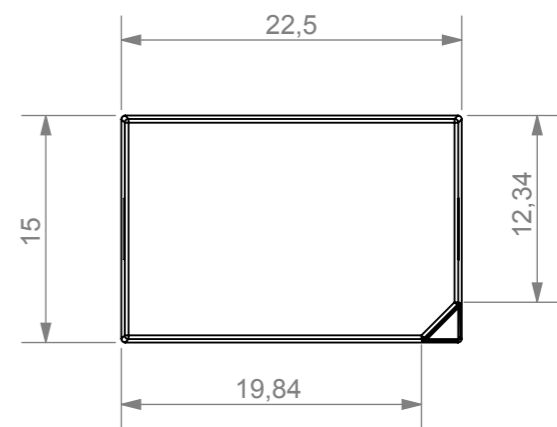
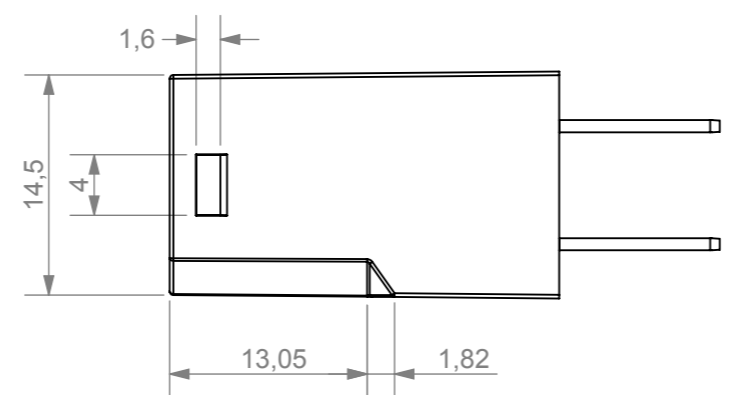
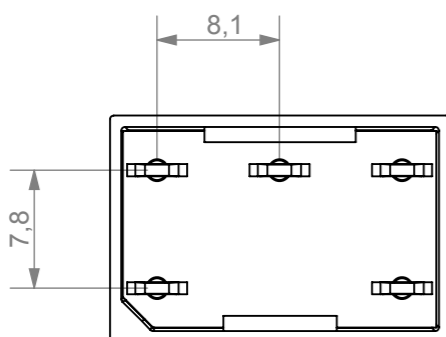



THIS DRAWING AND THE INFORMATION CONTAINED WITHIN IT ARE CONFIDENTIAL AND MAY NOT BE COPIED OR DISCLOSED WITHOUT THE WRITTEN PERMISSION OF LITTELFUSE.

| REV | DATE | DESCRIPTION | DESIGNED | CHECKED |
|-----|------------|-------------|--------------|-------------|
| A | 08/02/2018 | ISSUED | F. Gasparini | C. Crovetti |



MRS Part n° 1.135.300.00

| | |
|---|---|
| INTERPRET DRAWING TO ANSI/ASME Y14.5-1994. | |
| ● | DENOTES PRODUCTS CRITICAL CHARACTERISTICS |
| CPK | DENOTES CPK DIMENSIONS MINIMUM CPK VALUE |
| ST | DENOTES A CHARACTERISTIC THAT PROVIDES AN INDICATION OF PROCESS PERFORMANCE. PROCEDURE FOR MEASUREMENT AND TRACKING TO BE DEFINED IN LITTELFUSE INSPECTION INSTRUCTIONS |
| CP | DENOTES CP DIMENSIONS, -MINIMUM CP VALUE MUST BE WITHIN THE DIMENSIONAL LIMITATIONS SHOWN ON DRAWING AND INITIALLY LOCATED TO ALLOW FOR MAXIMUM TOOL LIFE |
| TOLERANCES UNLESS OTHERWISE SPECIFIED ONE PLACE DECIMAL ± 0.5 THREE PLACES DECIMAL ± 0.100 TWO PLACES DECIMAL ± 0.20 ANGULAR ± 2° | |
| DRAWN | NAME: F. Gasparini DATE: 07/02/2018 |
|  Expertise Applied Answers Delivered | |
| TITLE MicroPlex SSR18 | |
| FIRST ANGLE PROJECTION | |
| SIZE: A3 | DWG. NO. LFMCRPLX004 REV. A |
| DO NOT SCALE DRAWING | SCALE 2:1 SHEET 1 OF 1 |