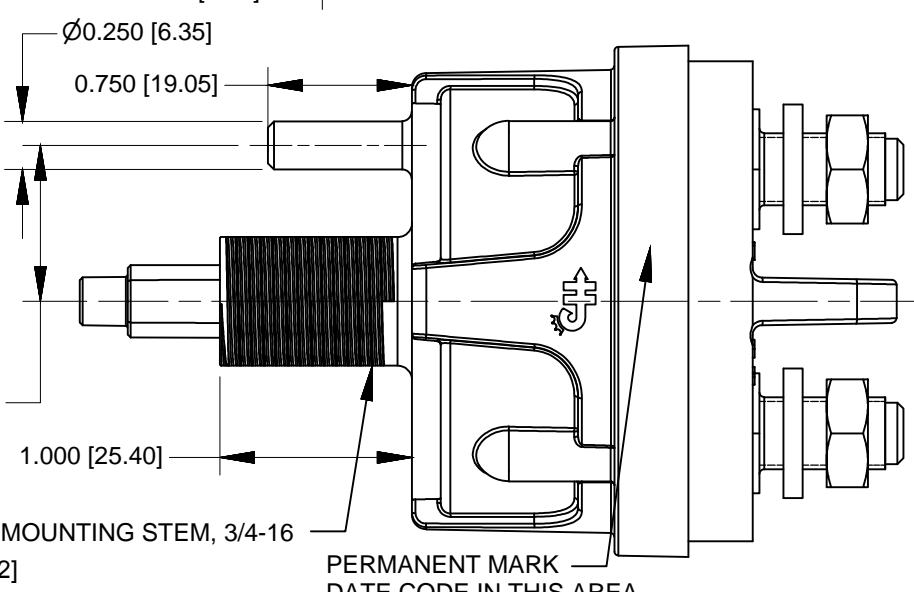
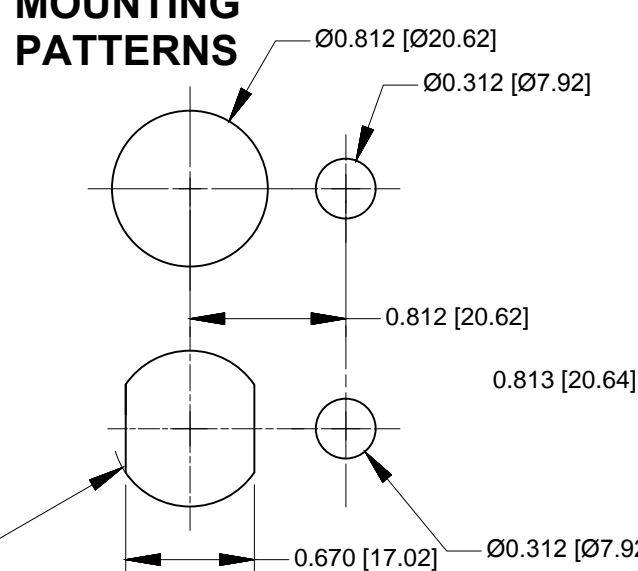


**MOUNTING PATTERNS**



- NOTES:
1. ALL DIMENSIONS ARE REFERENCE ONLY
  2. ALL STEEL PARTS PLATED
  3. CONTACT SURFACES COPPER
  4. RECOMMENDED LOCK SHANK SIZE 5/16" (0.312[7.93]) DIA
  5. TESTED TO IP68
  6. RATINGS: CONTINUOUS DUTY:  
12 Vdc: 300 AMPS; 24 Vdc: 250 AMPS; 36 Vdc: 200 AMPS  
INTERMITTENT DUTY:  
1000 AMPS FOR 90 SECONDS ON; 5 MINUTES OFF  
2000 AMPS FOR 30 SECONDS ON; 5 MINUTES OFF
  7. SWITCH MUST BE INSTALLED WITH BEZEL
  8. CUSTOMER SUPPLIED TERMINALS SHOULD BE IN DIRECT CONTACT WITH BASE OF STUD
  9. STUD TORQUE 70-90 IN-LBS [7.9-10.1 N.m]
  10. MOUNTING STEM HEX NUT TORQUE 18 FT LBS [24.4 N.m]
  11. PANEL THICKNESS RANGE: 0.032-0.450 [0.81-11.43]
  12. PARTS SHIPPED BAGGED
  13. FOR ADDITIONAL KNOB RETENTION, ASSEMBLE SCREW TO SHAFT THEN INSERT CAP
  14. ROTATION OF THE STUD WITHIN THE BASE UP TO 5° IS NORMAL AND DOES NOT EFFECT OPERATION OR SEALING

Revision Control Record				Rev.	Description of Change	ECN No.	Date
Rev.	Description of Change	ECN No.	Date				
A	RELEASED DRAWING	11265	8/16/11				
B	CHANGE TO IP68	12252	08/09/12				
C	ADD CE MARK & NOTE	09529	09/30/13				

Tolerances Unless otherwise specifically noted, the following are default tolerances:  
**2-places**  $\pm 0.02"$  **3-places**  $\pm 0.005"$  **Angular**  $\pm 1'$   
 Metric: Shown in [ ] refers to equivalent English Dim Tol  
 "REF." or an Asterisk (\*) = Non-Toleranced Reference Dimension, shown for clarification purposes only.  
 NOTE: All tolerances are Non-Cumulative.

**PROPRIETARY INFORMATION** This Engineering Drawing, and the information contained herein, is proprietary to Cole Hersee Company and may not be disclosed, re-produced, or in any other way transferred or communicated to any other party without the express written consent of an authorized representative of Cole Hersee Company.

**Special Characteristics:**

Critical Characteristic, relating to Safety and/or Regulatory Compliance

Significant Characteristic relating to Process Control

Control Dimension relating to Form - Fit - Function as defined by Cole Hersee Company and/or the Customer

**Cole Hersee Co.**  
 20 Old Colony Ave., South Boston, MA, 02127  
 Phn: 617-268-2100 Web: www.colehersee.com

Description: **SW,ROT,MAST DISC**

Drawing / Part No.: **75920-05** Current Rev. **C**