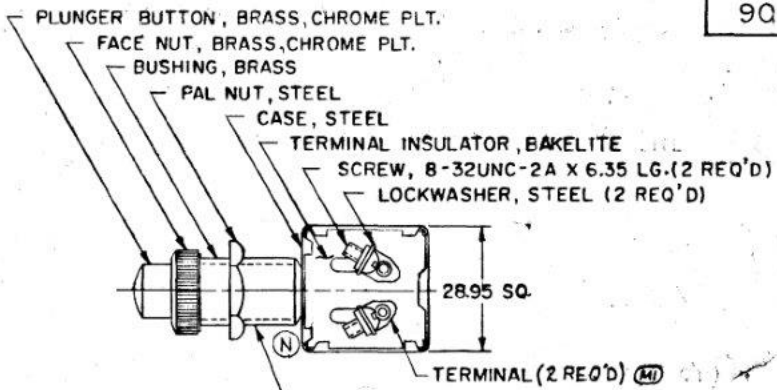


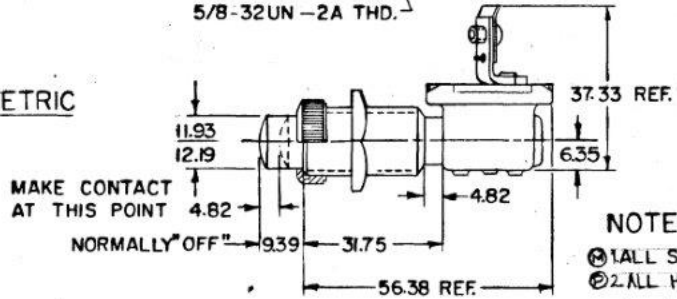
MM. IN.  
 .005  
 .010  
 .015  
 .020  
 .025  
 .030  
 .035  
 .040  
 .045  
 .050  
 .055  
 .060  
 .065  
 .070  
 .075  
 .080  
 .085  
 .090  
 .095  
 .100  
 .105  
 .110  
 .115  
 .120  
 .125  
 .130  
 .135  
 .140  
 .145  
 .150  
 .155  
 .160  
 .165  
 .170  
 .175  
 .180  
 .185  
 .190  
 .195  
 .200

9044



5/8-32UN-2A THD.

METRIC



NOTE:

- Ⓜ ALL STEEL PARTS PLATED
- Ⓜ ALL HARDWARE SHIPPED LOOSE

SIMILAR TO 9033 EXCEPT WITH 8304 FACE NUT

10 AMPS @ 12V DC

DO NOT SCALE

LET	WAS	DATE	BY	LET	WAS	DATE	BY	MATERIAL	DRAWN	CHECKED	APPROV'D	SCALE	DATE DRAWN
								—	RG	✓	9-26-78	1:1	9-18-46
				P	ECN # 99173	5/13/69	VEF	FINISH					DATE BLUEPRINT
				N	ECN # 21109	2/23/78	VP						
				M	ECN # 2523	6/1/91	SH						
				L	REDRAWN	5-25-78	VK	TOLERANCES FRACTIONAL ± DECIMAL ±0.025	STARTER SWITCH ASS'Y			9044	



CH-188 (4-78)

9115

TERMINAL INSULATOR-BLITE

5/16 SCREW 8-32 THD-STEEL

3017-8 LOCKWASHER-STEEL

C TERMINAL, BRASS.

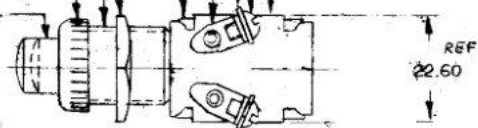
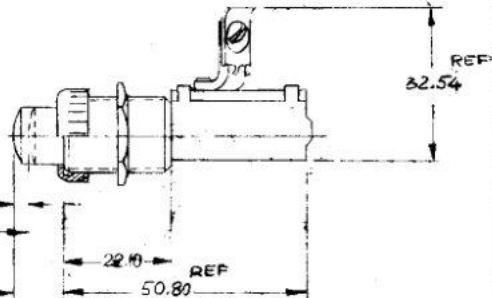
CASE STEEL

B507 PAL NUT, STEEL

BUSHING 5/8-32-UN-2A ALUMINUM

B304 FACE NUT-BRASS CHROME PLT

PLUNGER BUTTON BRASS ROLLED CHROME.

REF  
22.60REF  
32.54

"NORMALLY ON"  
OFF WHEN DEPRESSED 3.05  
AND THRU REMAINDER OF  
TRAVEL

±1.01

22.60

REF

50.80

NOTE:

① ALL STEEL PARTS PLATED

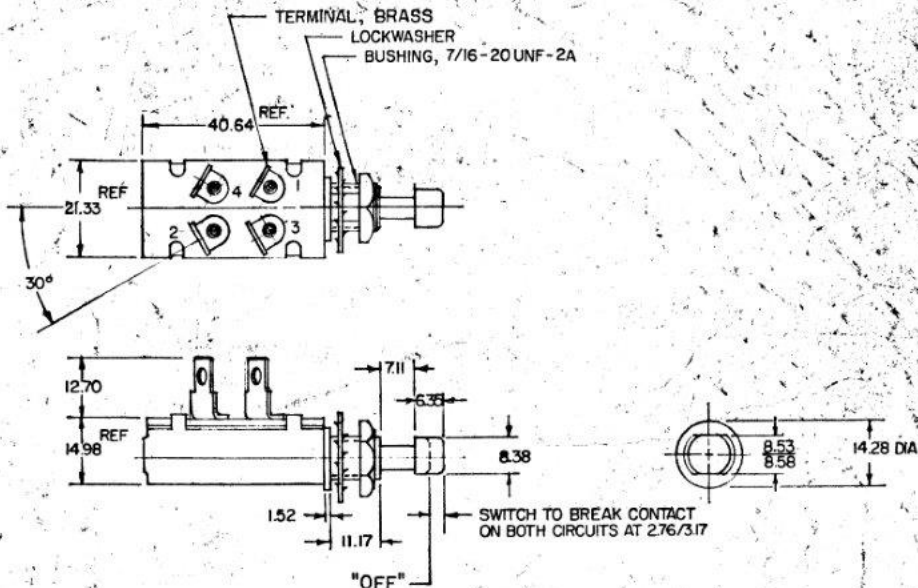
METRIC

Confidential Property of Cole Hersee

DO NOT SCALE

LET.	WAS	DATE	BY	LET.	WAS	DATE	BY	MATERIAL	DRAWN	CHECKED	APPRO'D	SCALE	DATE DRAWN
								NOTED	MW	LPS	60	1:1	2-12-87
								FINISH					DATE BLUEPRINT
								NOTE 1					
								TOLERANCES					
								DECIMAL ±	<b>STARTER SWITCH</b>				9115
								METRIC ±					

9211

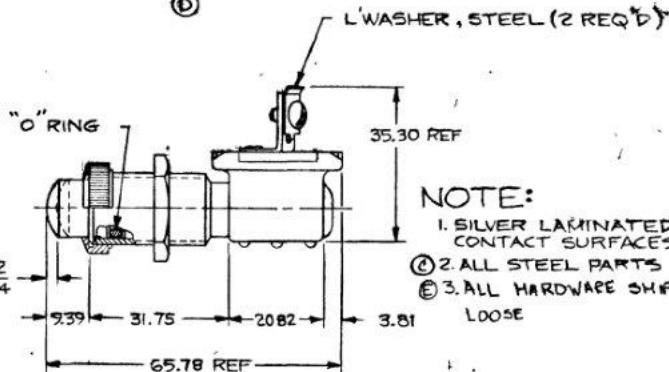
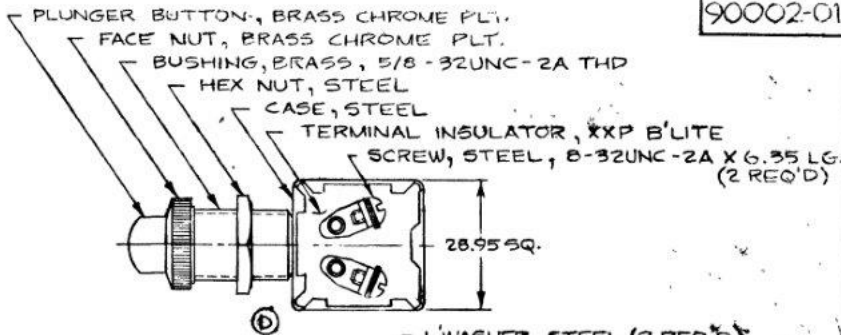
**METRIC**NORMALLY "ON"NOTE:  
CIRCUITS ARE 1-3 & 2-4**DO NOT SCALE**

ET	WAS	DATE	BY	LET	WAS	DATE	BY	MATERIAL	DRAWN	CHECKED	APPROVED	SCALE	DATE DRAWN
								#	AA	3-4-80		1:1	3-7-58
								FINISH	 Cole Hersee Co. <small>1000 COLLEEN AVENUE, BOSTON, MASS. 02117</small>				DATE BLUEPRINT
								TOLERANCES					DPST MOM SWITCH
								DECIMAL ±					
								METRIC ± .25					

4-188(4-78)

LAM. IN.  
 0.25 .010  
 .52 .060  
 .75 .120  
 .81 .150  
 .95 .250  
 .99 .370  
 1.02 .820  
 1.05 .1140  
 1.15 .1250  
 1.50 .1590  
 1.75 .2590

90002-01



"NORMALLY ON"  
 OFF WHEN PLUNGER  
 IS DEPRESSED 1.52/3.04  
 & THRU REMAINDER OF  
 TRAVEL.

NOTE:

- 1. SILVER LAMINATED CONTACT SURFACES.
- ② 2 ALL STEEL PARTS PLATED
- ③ 3 ALL HARDWARE SHIPPED LOOSE

METRIC

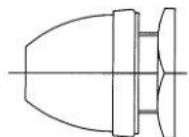
DO NOT SCALE

LET	WAS	DATE	BY	LET	WAS	DATE	BY	MATERIAL	DRAWN	CHECKED	APPROV'D	SCALE	90002, W/ SILVERED CONTACTS & RIVETS	DATE DRAWN
								—	JH	11/20/78		1:1		4-14-69
				F	SCW 99173	3/13/84	JK	—						DATE BLUEPRINT
				D	SCW 2716 4 7500 CUTOUT	2/28/84	JD	—						
				C	210C 175239	11/20/91	TJH	TOLERANCES FRACTIONAL ± DECIMAL ±0.25						
				B	REDRAWN	11-9-78	NK						MOMENTARY SWITCH "NORMALLY ON"	90002-01

CH-188 (4-78)

### Revision Control Record

Rev.	Description of Change	ECN No.	Date
L	PUT ON CAD		04/10/06
M	BOM CHANGE	13220	08/02/13



CAP NOT ASSEMBLED INTO GROOVE FOR SHIPPING PURPOSES

NUT, HEX 5/8 UN-2B

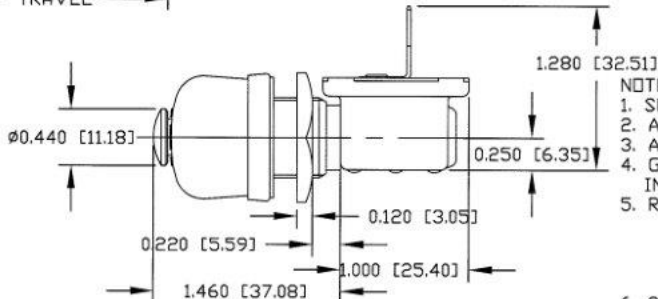
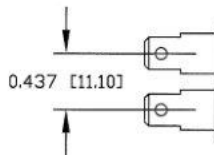
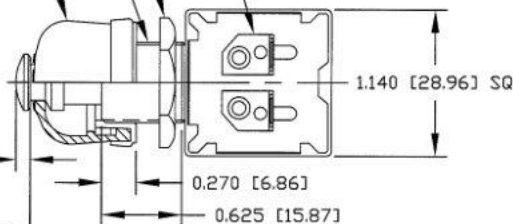
SHAFT, STEEL

CAP, RUBBER

TERMINAL, BLADE, MALE, SPACED TO MATE WITH PACKARD CONNECTOR #2977647 OR EQUIV.

NORMALLY "ON"  $\frac{0.100}{0.120}$  [  $\frac{2.54}{3.05}$  ]

"OFF" REMAINDER OF TRAVEL



NOTES:

- SOLID SILVER RIVETS ON CONTACTS
- ALL STEEL PARTS PLATED
- ALL DIMENSIONS REFERENCE
- GASKET SEAL BETWEEN TERMINAL INSULATOR AND CASE
- RATING: 10 AMPS @ 24 VDC MAKE & BREAK  
20 AMPS @ 12 VDC MAKE & BREAK  
30 AMPS CONTINUOUS AND  
90 AMPS INRUSH WITH CONTACTS CLOSED
- CAP AND HARDWARE SHIPPED LOOSE

**Tolerances** Unless otherwise specifically noted, the following are default tolerances:  
 \* 2-place Decimal Dimensions  $\pm 0.02^\circ$   
 \* 3-place Decimal Dimensions  $\pm 0.005^\circ$   
 \* Angular Dimensions  $\pm 1.0$  Deg.  
 \* Mems: Refer to equivalent English Dimension Tolerance  
 >>> NOTE: All tolerances are Non-Cumulative. <<<

**Dimensional Units** All dimensions are expressed in inches except those shown in brackets (xxx) are expressed in millimeters

\*RFE" or an Astrix (\*) = Non-Toleranced Reference Dimension, shown for clarification purposes only.

**PROPRIETARY INFORMATION** This Engineering Drawing, and the information contained herein, is proprietary to Cole Hersee Company and may not be disclosed, re-produced, or in any other way transferred or communicated to any other party without the express written consent of an authorized representative of Cole Hersee Company.

**DESIGN CONTROL** It is the responsibility of the individual using/referencing this drawing to assure that the noted design revision level agrees with the revision level of the Controlled Document (Master Drawing). This is a NON-CONTROLLED DOCUMENT unless otherwise specifically noted.

**DO NOT SCALE** Dimensional variation may occur during printing/reproduction.

#### Special Characteristics:



Critical Characteristic, relating to Safety and/or Regulatory Compliance



Significant Characteristic relating to Process Control (SPC)



Key Characteristic relating to Form - Fit - Function as defined by Cole Hersee Company and/or the Customer

(Note that the identification of any Characteristics as being "Special" does not alter the requirement that ALL specified dimensions & tolerances must be met.)



**Cole Hersee Co.**

20 Old Colony Ave., South Boston, MA, 02127  
 Phn: 617-268-2100 Web: www.colehersee.com

Description:

**SWITCH, MOM**

Drawing / Part No.:

**90043**

Current Rev.

**M**

Used On or Ref.: EX15280

Scale: **1:1**

Drawn By: EA

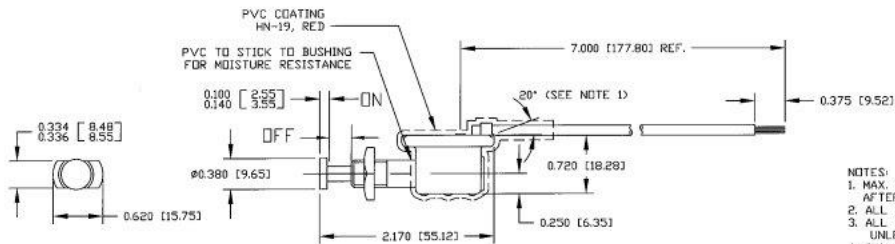
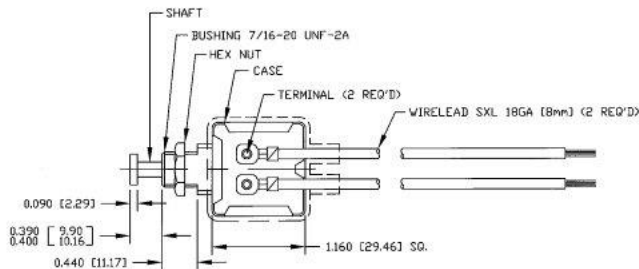
Date Drawn: 02/04/69

Responsible Engineer:

Pg. 1 of 1

## Revision Control Record

Rev.	Description of Change	ECN No.	Date
D	BOM CHANGE, ADD O-RING	0836	07/20/09



## NOTES:

1. MAX. UPWARD DEFLECTION OF WIRE-LEAD AFTER COATING 20°
2. ALL STEEL PARTS PLATED
3. ALL DIMENSIONS ARE REFERENCE UNLESS NOTED OTHERWISE
4. ALL HARDWARE SHIPPED LOOSE
5. O-RING SEAL IN BUSHING

**TOLERANCES** - Unless otherwise specifically noted, the following are default tolerances:  
 \* Feature Default Dimensional:  $\pm .02"$   
 \* Surface Default Dimensional:  $\pm .005"$   
 \* Angular Dimensional:  $\pm 1.0$  Deg.  
 \* Holes: Refer to applicable Engineering Technique Form 0070. All tolerances are Non-Cumulative, unless otherwise noted.

**DIMENSIONAL UNITS** - All dimensions are expressed in inches unless otherwise indicated in brackets and are expressed in millimeters.

**SCALE** - as a reference - Not Toleranced Reference Dimensional, unless for clarification purposes only.

Used On: EX18376  
 or Ref:

Scale: 1:1

**DESIGN AND CONSTRUCTION** - This Engineering Drawing and the associated drawings are to be used only for the manufacture of the product and may not be distributed, reproduced, or in any other way disclosed or communicated to any other party without the express written consent of an authorized representative of Cole Hersee Company.

**DESIGN RESPONSIBILITY** - It is the responsibility of the individual(s) originating this drawing to assure that the design meets customer level agreement with the customer level of the Customer/Supplier/Manufacturer Agreement. This is a DESIGN CONTROL AND DESIGN REVIEW process unless otherwise specifically noted.

**AS-BUILT SCALE** - Dimensional variation may occur during part(s) production.

Drawn By: DPS Date: 05/28/09

## Special Characteristics

- ⊕ Critical Characteristics, relating to Safety and/or Regulatory Compliance
- Ⓢ Significant Characteristics relating to Process Control (SPC)
- Ⓢ Critical Dimension relating to Form - Fit - Function as defined by Cole Hersee Company and/or the Customer.

Note that the identification of any Characteristics as being "Special" does not alter the requirement that ALL specified dimensions & tolerances are met.

Responsible Engineer:

Pg. 1 of 1



Cole Hersee Co.

20 Old Colony Ave., South Boston, MA, 02127  
 Phn: 617-266-2100 Web: www.colehersee.com

Description: MOM. SWITCH, N.C.

Drawing / Part No.

91126

D