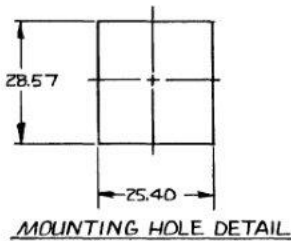


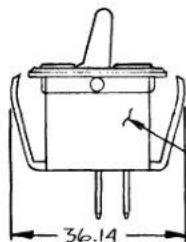
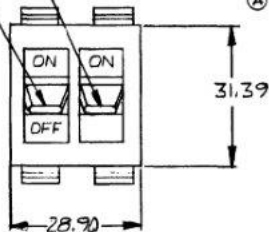
MM IN
 23.80 .937
 25.40 1.000
 28.57 1.125
 28.90 1.138
 29.18 1.149
 31.29 1.235
 36.14 1.423

54203-01

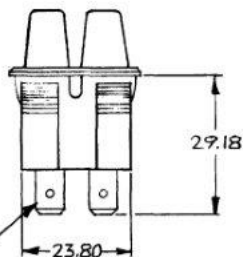


TOGGLE, BLACK
 "ON"-"OFF" (A)

TOGGLE, IVORY
 "OFF"-MOM "ON" (A)



HOUSING,
 BLACK PLASTIC



TERMINAL
 (4 REQ'D)

METRIC

NOTE

ALL DIMENSIONS ARE REFERENCE

DO NOT SCALE

LET.	WAS	DATE	BY	LET	WAS	DATE	BY	MATERIAL	DRAWN	CHECKED	APPROVD	SCALE	DATE DRAWN
								—//—	(R)	RFB		1:1	4-13-81
								FINISH	 COLE HERSEE CO. SUBSIDIARIES OF THE CHRYSLER GROUP LLC				DATE BLUEPRINT
				A	ECN/23346	12-1-86	ZU	TOLERANCES	TOGGLE SWITCH				54203-01
					ISSUED	7/10/82	HFB	DECIMAL ±					
								METRIC ±					

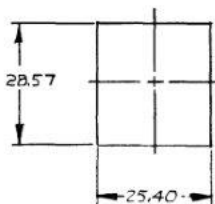
EX 19 125-G

376

CH-188(4-78)

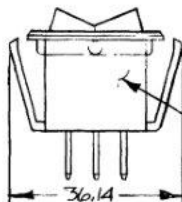
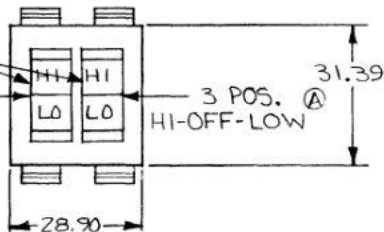
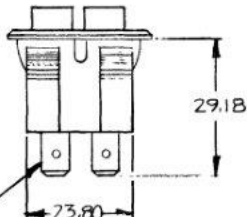
MM	IN
23.80	.937
25.40	1.000
28.57	1.125
28.90	1.138
29.18	1.149
31.89	1.255
36.14	1.423

54204-01

MOUNTING HOLE DETAIL

ROCKER, BLACK

Ⓐ 3 POS.
HI-OFF-LO

HOUSING,
BLACK PLASTICMETRIC

NOTE
ALL DIMENSIONS ARE REFERENCE

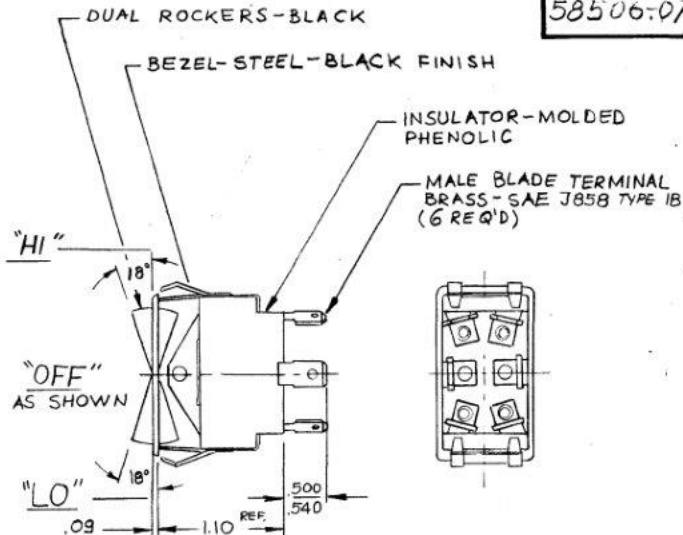
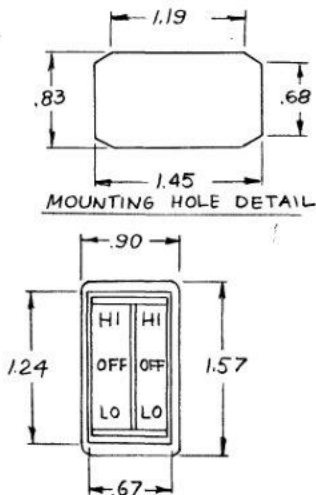
DO NOT SCALE

ET	WAS	DATE	BY	LET	WAS	DATE	BY	MATERIAL	DRAWN	CHECKED	APPROV'D	SCALE	DATE DRAWN
								— # —	Ⓒ	f	FE	1:1	4-14-81
								FINISH	 Cole Hersee Co. <small>12000 W. LAMAR AVENUE, ST. LOUIS, MO. 63141</small>				DATE BLUEPRINT
								— # —					
								TOLERANCES	ROCKER SWITCH				54204-01
								DECIMAL ±					
								METRIC ±					

CH-188(4-78)

NRM. 4-5-73
REF: EX16698

58506-07



NOTES:

1. 25 AMPS @ 12VDC LAMP LOAD.
2. SILVER CONTACT RIVETS AND SILVER CONTACT PAD.

HEAVY DUTY

DO NOT SCALE

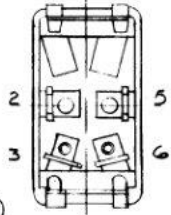
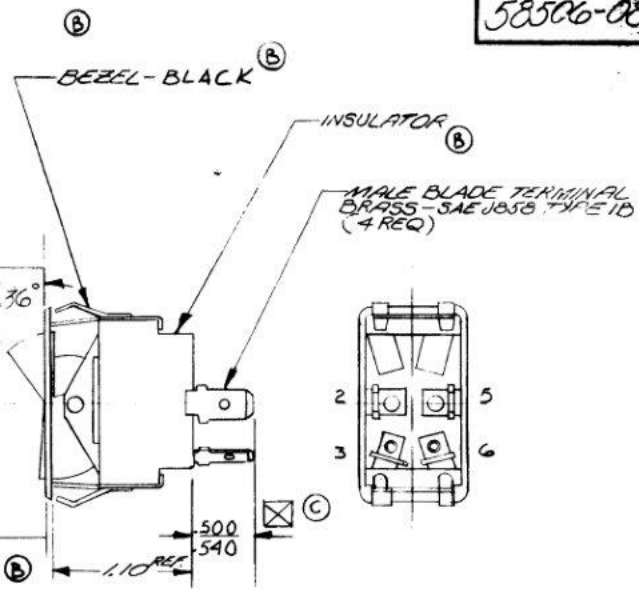
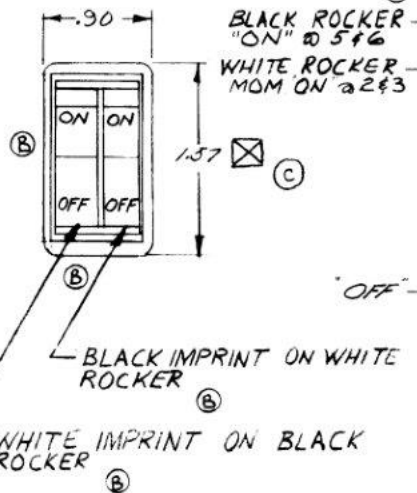
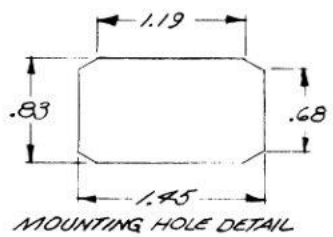
LET	WAS	DATE	BY	LET	WAS	DATE	BY	MATERIAL	DRAWN	CHECKED	APPR'D	SCALE	DATE DRAWN
								—	8W	<i>SL</i>		1:1	10-6-86
								FINISH	 Cole Hersee Co. <small>MADE IN THE U.S.A.</small>				DATE BLUEPRINT
								TOLERANCES					SPLIT ACTUATOR
								DECIMAL ±	ROCKER SW.				58506-07
								METRIC ±					

BRUNING 40-21 63765

CH-188(4-78)

58506-08

COLE-HERSEE CO.
NPM G-1-73
EX-16699



- NOTES:
1. 25 AMPS @ 12VDC LAMP LOAD.
 2. SILVER CONTACT RIVETS AND SILVER PAD

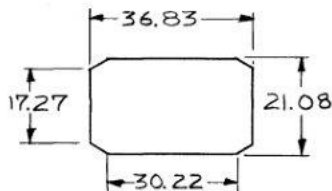
HEAVY DUTY

DO NOT SCALE

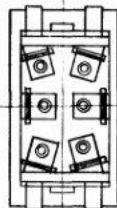
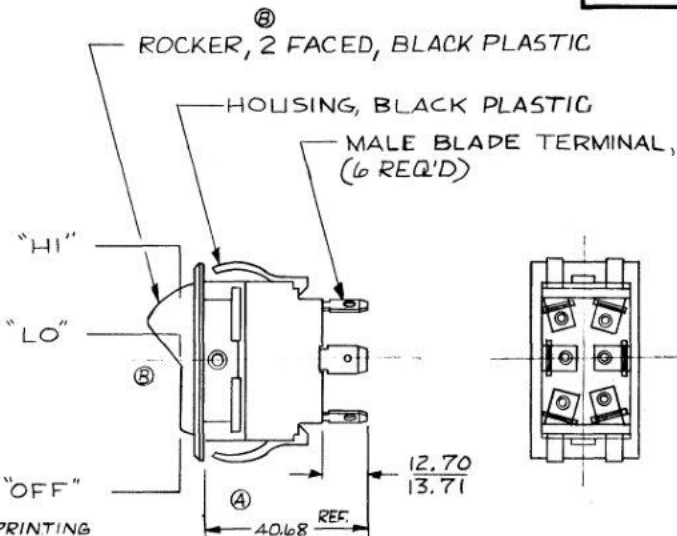
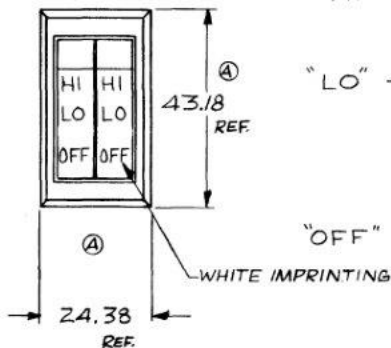
LET	WAS	DATE	BY	LET	WAS	DATE	BY	MATERIAL	DRAWN	CHECKED	APPR'D.	SCALE	DATE DRAWN				
								---	B	Fig		FULL	6-7-73				
				C	ADD SYMBOL	2/25/92	AP	FINISH	COLE-HERSEE COMPANY BOSTON, MASS. 02127, U.S.A. DUAL ACTUATOR ROCKER SWITCH				DATE BLUEPRINT				
				B	ECN 25003	12-11-91	AF	---									
				A	REV 118943	1-13-75	WJL	TOLERANCES									
					ISSUED	6-11-73		FRACTIONAL \pm					58506-08				
								DECIMAL \pm .01					Confidential Property of Cole Hersee				

MM IN
 3.17 .125
 12.70 .500
 13.71 .540
 17.27 .680
 21.08 .830
 24.38 .960
 30.27 1.190
 36.83 1.450
 40.68 1.600
 43.78 1.700

58506-15



MTG. HOLE DETAIL



(A) NOTES:

1. SILVER CONTACTS
2. HEAVY DUTY
3. 25 AMPS @ 12VDC LAMP LOAD

METRIC

DO NOT SCALE

LET.	WAS	DATE	BY	LET	WAS	DATE	BY	MATERIAL	DRAWN	CHECKED	APPROVD	SCALE	DATE DRAWN
								#	DPS	RJT		1:1	2-20-81
								FINISH					DATE BLUEPRINT
								#					
				B	WAS 3 FACE	21396	5-4-81	(C)	SW. RKR. DUALACT				58506-15
				A	REV	21346	3-20-81	(B)					
					ISSUED		2-24-81	(K)					
								TOLERANCES					
								DECIMAL ± .010					
								METRIC ± .25					

EX 19188-A