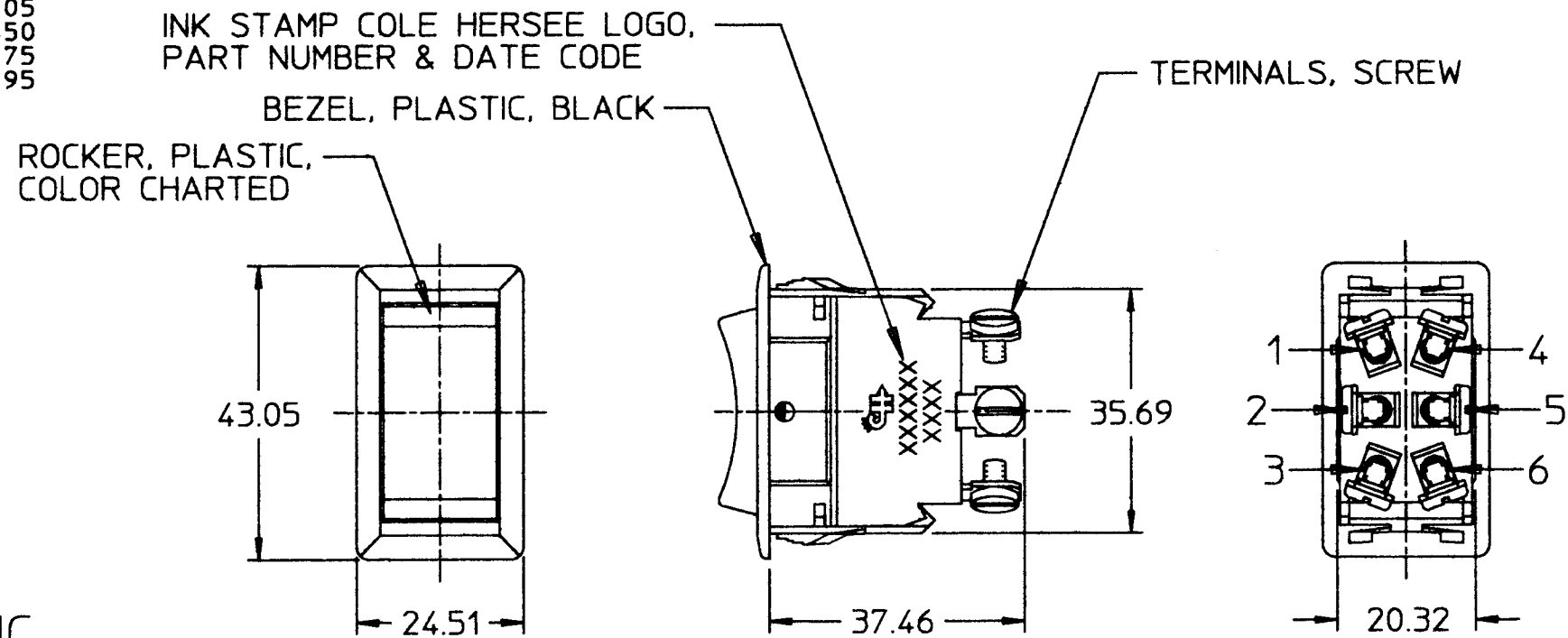


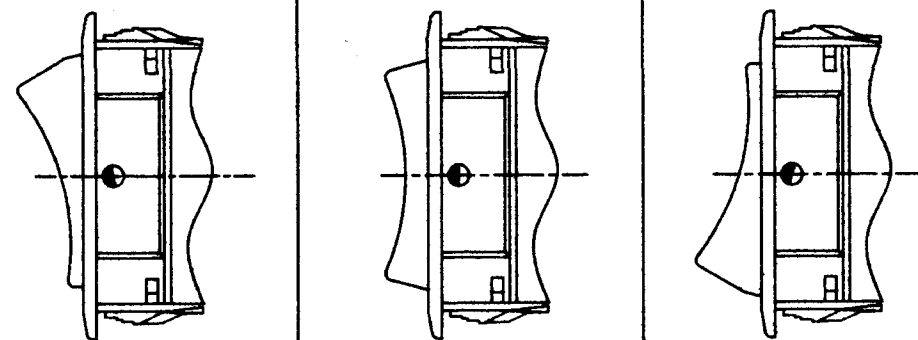
MM	IN
20.32	0.800
21.08	0.830
25.51	0.965
35.69	1.405
36.83	1.450
37.46	1.475
43.05	1.695



METRIC

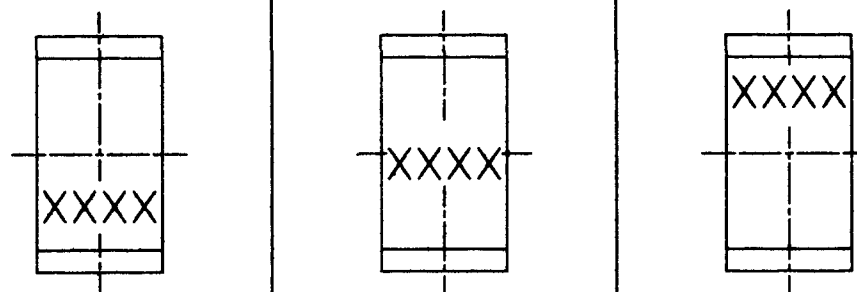
- NOTES:
1. ALL DIMENSIONS ARE REFERENCE ONLY
 2. CONTACT RATING:
20 AMPS @ 12V DC
10 AMPS @ 24V DC

ROCKER POSITIONS



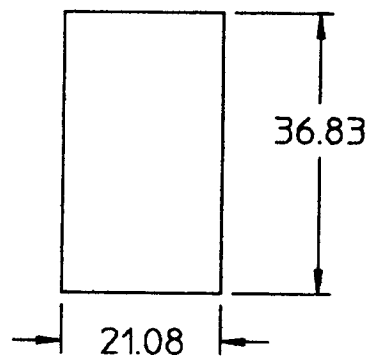
POSITION A POSITION B POSITION C

IMPRINTING LOCATION



LOCATION D LOCATION E LOCATION F

MOUNTING HOLE DETAIL



ROCKER COLORS


BLACK

IMPRINT COLORS

WHITE


DO NOT SCALE

LET.	WAS	DATE	BY	LET.	WAS	DATE	BY	MATERIAL	DRAWN	CHK	APVD	SCALE	DATE DRAWN
									MJT	AF		1:1	11/9/93
				B	ADDED -13	8/20/96	JG	FINISH	Cole Hersee Co. 20 OLD COLONY AVENUE, BOSTON, MA, U.S.A. 02127				DATE BLUEPRINTED
				A	ADDED -12	3/13/96	MB	TOLERANCES	ROCKER SWITCH				56027
					ISSUED	12/30/93	AF	DECIMAL ± ANGLE ±					

56027-12	SPDT	MOM ON 1 & 2	OFF	MOM ON 2 & 3	WHITE	1,2, & 3	YES				
56027-11	DPDT	MOM ON 1 & 2 4 & 5	OFF	MOM ON 2 & 3 5 & 6	BLACK	1,2 & 3 4,5 & 6	YES				
56027-10	SPDT	ON 1 & 2	NONE	MOM ON 2 & 3	BLACK	1,2, & 3	YES				
56027-09	SP3P	ON 2 & 4	ON 2 & 6	ON 2 & 3	BLACK	2,3,4 & 6	YES		E	WHITE	1 & 5
56027-08	DPDT	ON 1 & 2, 4 & 5	NONE	ON 2 & 3, 5 & 6	BLACK	1,2,3,4,5 & 6	YES				
56027-07	DPDT	ON 1 & 2, 4 & 5	OFF	ON 2 & 3, 5 & 6	BLACK	1,2,3,4,5 & 6	YES				
56027-06	DPST	OFF	NONE	ON 2 & 3, 5 & 6	BLACK	2 & 3, 5 & 6	YES				
56027-05	SPDT	ON 1 & 2	NONE	ON 2 & 3	BLACK	1,2 & 3	YES				
56027-04	SPDT	MOM ON 1 & 2	OFF	MOM ON 2 & 3	BLACK	1,2 & 3	YES				
56027-03	SPDT	ON 1 & 2	OFF	ON 2 & 3	BLACK	1,2 & 3	YES				
56027-02	SPST	OFF	NONE	MOM ON 2 & 3	BLACK	2 & 3	YES				
56027-01	SPST	OFF	NONE	ON 2 & 3	BLACK	2 & 3	YES				

PT NO	TYPE OF SW	POS A	POS B	POS C	ROCKER COLOR	TERMINAL LOCATION	SEALED	IMPRINT SYMBOL	IMPRINT LOCATION	IMPRINT COLOR	BUS BARS
		ROCKER POSITION									

DO NOT SCALE


LET.	WAS	DATE	BY	LET.	WAS	DATE	BY	MATERIAL	DRAWN	CHK	APVD	SCALE	DATE DRAWN
									MJT	AF		1:1	11/9/93
				B	ADDED -13	8/20/96	JG	FINISH	 Cole Hersee Co. 20 OLD COLONY AVENUE, BOSTON, MA., U.S.A. 02127				DATE BLUEPRINTED
			A	ADDED -12	3/13/96	MB	TOLERANCES DECIMAL ± ANGLE ±						
				ISSUED	12/30/93	AF							
										ROCKER SWITCH		56027	

56027-13	SP3P	ON 2 & 4	ON 2 & 6	ON 2 & 3	BLACK	2,3,4, & 6	YES				1 & 5
----------	------	-------------	-------------	-------------	-------	------------	-----	--	--	--	-------

Ⓑ

PT NO	TYPE OF SW	POS A	POS B	POS C	ROCKER COLOR	TERMINAL LOCATION	SEALED	IMPRINT SYMBOL	IMPRINT LOCATION	IMPRINT COLOR	BUS BARS
		ROCKER POSITION									

DO NOT SCALE

				LET.	WAS	DATE	BY	LET.	WAS	DATE	BY	MATERIAL	DRAWN	CHK	APVD	SCALE	DATE DRAWN	
													MJT	AF		1:1	11/9/93	
								B	ADDED -13	8/20/96	JG	FINISH	 Cole Hersee Co. 20 OLD COLONY AVENUE, BOSTON, MA., U.S.A. 02127				DATE BLUEPRINTED	
								A	ADDED -12	3/13/96	MB	TOLERANCES					ROCKER SWITCH	56027
									ISSUED	12/30/93	AF	DECIMAL ±						
												ANGLE ±						

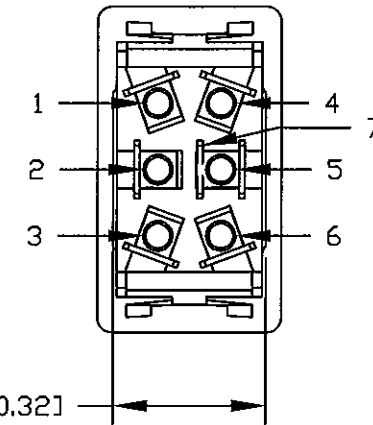
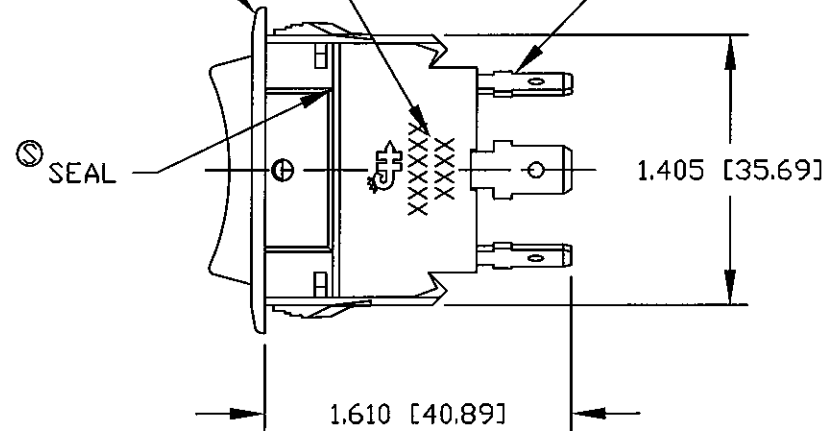
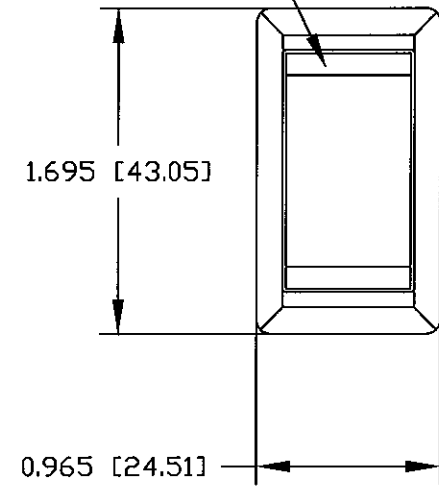
CHART

ROCKER: PLASTIC,
COLOR CHARTED
Ⓢ MATTE FINISH

INK STAMP COLE HERSEE LOGO,
PART NUMBER & DATE CODE

Ⓢ BEZEL: PLASTIC, BLACK
MATTE FINISH

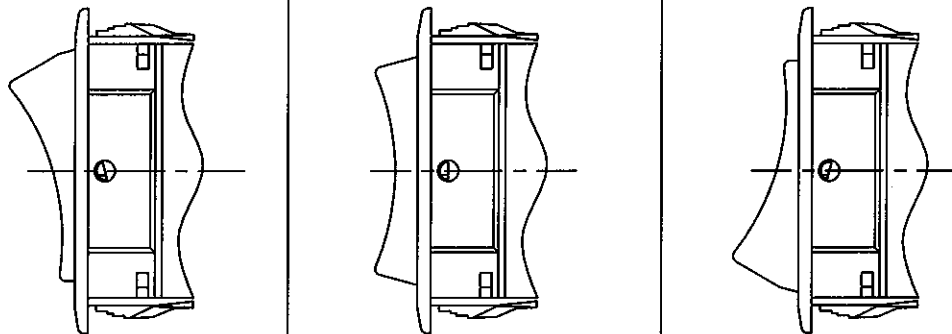
TERMINALS, MALE BLADE, 0.250 [6.35] WIDE



Revision Control Record			
Rev.	Description of Change	ECN No.	Date
S	NOTE CHANGE	01132	2/28/01
T	NOTE CHANGE	01228	4/17/01
U	NOTE CHANGE	09378	07/30/09

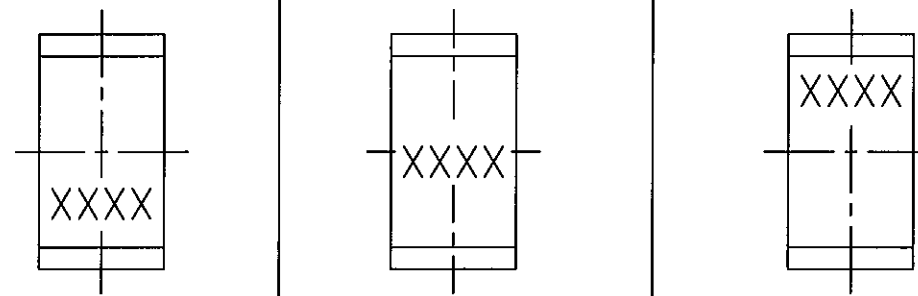
- Ⓢ NOTES:
- ALL DIMENSIONS ARE REFERENCES ONLY
 - CONTACTS RATING
25 AMPS @ 12V DC
15 AMPS @ 24V DC
 - 58027-17 ACTUATING FORCE TO BE APPROX. 12 IN/OZ [3.3N]
 - SILVER CONTACTS

ROCKER POSITIONS



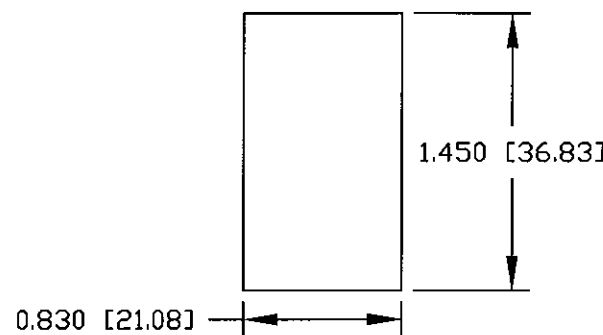
POSITION A POSITION B POSITION C

IMPRINTING LOCATION



LOCATION D LOCATION E LOCATION F

MOUNTING HOLE DETAIL



ROCKER COLORS

BLACK

IMPRINT COLORS

WHITE

Tolerances Unless otherwise specifically noted, the following are default tolerances:
 * 2-place Decimal Dimensions +/- .02"
 * 3-place Decimal Dimensions +/- .005"
 * Angular Dimensions +/- 1.0 Deg.
 * Metric: Refer to equivalent English Dimension Tolerance
 >>> NOTE: All tolerances are Non-Cumulative. <<<

Dimensional Units All dimensions are expressed in inches except those shown in brackets (xxx) are expressed in millimeters

"REF." or an Asterisk (*) = Non-Toleranced Reference Dimension, shown for clarification purposes only.

PROPRIETARY INFORMATION This Engineering Drawing, and the information contained herein, is proprietary to Cole Hersee Company and may not be disclosed, re-produced, or in any other way transferred or communicated to any other party without the express written consent of an authorized representative of Cole Hersee Company.

DESIGN CONTROL It is the responsibility of the individual using/referencing this drawing to assure that the noted design revision level agrees with the revision level of the Controlled Document (Master Drawing). This is a NON-CONTROLLED DOCUMENT unless otherwise specifically noted.

DO NOT SCALE - Dimensional variation may occur during printing/ reproduction.

Key for Special Characteristics:

- Ⓢ Critical Characteristic, relating to Safety and/or Regulatory Compliance
- X Significant Characteristic relating to Process Control (SPC)
- Ⓢ Control Dimension relating to Form - Fit - Function as defined by Cole Hersee Company and/or the Customer

(Note that the Identification of any Characteristics as being "Special" does not alter the requirement that ALL specified dimensions & tolerances must be met.)


Cole Hersee Co.
 20 Old Colony Ave., South Boston, MA, 02127
 Phn: 617-268-2100 Web: www.colehersee.com

Description:
ROCKER SWITCH

Drawing / Part No.: **58027** Current Rev. **U**

CHART

Revision Control Record			
Rev.	Description of Change	ECN No.	Date
	SEE PAGE ONE FOR CHANGES		

58027-12	SP	ON 4&5	ON 5&6	ON 4,5&6	BLACK	4,5 & 6	YES				2 & 5 3 & 4
58027-11	DPDT	MDM ON 1&2, 4&5	OFF	MDM ON 2&3 5&6	BLACK	1,2,3,4,5 & 6	YES				
58027-10	SPDT	ON 1&2	NONE	MDM ON 2&3	BLACK	1,2 & 3	YES				
58027-09	SP3P	ON 2&4	ON 2&6	ON 2&3	BLACK	2,3,4 & 6	YES		E	WHITE	1 & 5
58027-08	DPDT	ON 1&2 4&5	NONE	ON 2&3 5&6	BLACK	1,2,3,4,5 & 6	YES				
58027-07	DPDT	ON 1&2 4&5	OFF	ON 2&3 5&6	BLACK	1,2,3,4,5 & 6	YES				
58027-06	DPST	OFF	NONE	ON 2&3 5&6	BLACK	2 & 3 5 & 6	YES				
58027-05	SPDT	ON 1&2	NONE	ON 2&3	BLACK	1,2 & 3	YES				
58027-04	SPDT	MDM ON 1&2	OFF	MDM ON 2&3	BLACK	1,2 & 3	YES				
58027-03	SPDT	ON 1&2	OFF	ON 2&3	BLACK	1,2 & 3	YES				
58027-02	SPST	OFF	NONE	MDM ON 2&3	BLACK	2 & 3	YES				
58027-01	SPST	OFF	NONE	ON 2&3	BLACK	2 & 3	YES				

PT NO	TYPE OF SW	POS A	POS B	POS C	ROCKER COLOR	TERMINAL LOCATION	SEALED	IMPRINT SYMBOL	IMPRINT LOCATION	IMPRINT COLOR	BUS BARS
		ROCKER POSITION									

TOLERANCES - Unless otherwise specifically noted, the following are default tolerances:
 + Linear Dimensional Tolerances to .001"
 + Square Dimensional Tolerances to .001"
 + Angular Dimensional Tolerances to 1/2°
 + Feature Form to equivalent English Dimensional Tolerances
 ** NOTE: All dimensions are to UNLESS OTHERWISE SPECIFIED.

Dimensional Callouts - All dimensions are expressed in inches unless otherwise specified in brackets (i.e. 1/2" or .500).
 ** SEE: [ASME Y14.5M-1994](#) - When Tolerances Reference Dimensions, it refers to configuration purposes only.

Used On or Ref: _____ Scale: **1:1**




REGISTRATION RESPONSIBILITY - This Engineering Drawing, and the information contained herein, is proprietary to Cole Hersee Company and may not be disclosed, reproduced, or in any other way transmitted or communicated to any other party without the written express consent of an authorized representative of Cole Hersee Company.

DESIGN CONTROL - It is the responsibility of the individual using this drawing to ensure that the latest design revision (and agree with the revision level of the Controlled Document Master Copying - This is a controlled document) is used at all times unless otherwise specifically noted.

3D PART SCALE - Dimensional variation may occur during printing/production.

Drawn: **MJT** Date: **6/13/93**
 By: _____

Key to Feature Characteristics:

-  Critical Characteristics, relating to Safety under Regulatory Compliance
-  Significant Characteristics relating to Process Control (PC)
-  Control Dimension relating to Form - Fit - Function as defined by Cole Hersee Company under the Customer

Note that the visual color of any Characteristics as being "Specified" does not alter the requirement that ALL specified dimensions & tolerances must be met.

Responsible: **NA** Pg. 2 of 3
 Engineer: _____

Cole Hersee Co.
 20 Old Colony Ave., South Boston, MA, 02127
 Phone: 617-269-2100 Web: www.colehersee.com

CH Description:
ROCKER SWITCH

Drawing / Part No.: **58027**

Customer Ref.:
 SEE PAGE ONE

CHART

Revision Control Record

Rev.	Description of Change	ECN No.	Date

**SEE PAGE ONE
FOR CHANGES**

58027-18	DPDT	MMOM DN 1&2, 5&4	OFF	MMOM 5&1 2&4	BLACK	1,2,4 & 5	YES				1 & 6 3 & 4
58027-17	SPST	OFF	NONE	DN 2&3	BLACK	2 & 3	YES	⌘	D	WHITE	
58027-16	DPDT	DN 1&2 4&5	OFF	MMOM DN 2&3 5&6	BLACK	1,2,3,4,5 & 6	YES	FWD REV	F D	WHITE	
58027-15	SP	MMOM DN 1,4 & 5	OFF	MMOM DN 1, 5 & 6	BLACK	1,4,5&6	YES				1 & 3 2 & 5
58027-14	SP	DN 1,4 & 5	OFF	MMOM DN 3, 5 & 6	BLACK	1,3,4,5, & 6	YES				2 & 5
58027-13	SPST	OFF	NONE	MMOM DN 2&3 5&6	BLACK	2 & 3 5 & 6	YES				

PT NO	TYPE OF SW	POS A	POS B	POS C	ROCKER COLOR	TERMINAL LOCATION	SEALED	IMPRINT SYMBOL	IMPRINT LOCATION	IMPRINT COLOR	BUS BARS
		ROCKER POSITION									

Tolerances: Unless otherwise specifically noted, the following are default tolerances:
 * Positive Dimensional Dimensional: $\pm .01$
 * Positive Decimal Dimensional: $\pm .005$
 * Angled Dimensional: $\pm .01$ Ang.
 * Metric: Refer to applicable English Dimensional Tolerance
 *** NOTE: All tolerances are Non-Coordinate. ***

Dimensional Units: All dimensions are expressed in inches unless noted. Refer to backsheet for any exceptions.

250P or as Indicated: - Non-Toleranced Reference Dimension, unless the specification requires only.

Used On
of Ref.

Scale: **1:1**

DISCLAIMER/NOTICE: The Engineering Drawing, and the information contained therein, is proprietary to Cole Hersee Company and may not be disclosed, retransmitted, or in any other way transferred or communicated to any other party without the express written consent of an authorized representative of Cole Hersee Company.

DESIGN CONTROL: It is the responsibility of the individual using/ fabricating this drawing to ensure that the stated design conditions are agreed with the reviewer level of the Controlled Document (Master Drawing). This is a **NON-COORDINATE** DOCUMENT unless otherwise specifically noted.

DO NOT SCALE: Dimensional variation may occur during printing/ reproduction.

Drawn By: **MJT** Date Drawn: **5/13/93**

Key for Special Characteristics:

Critical Characteristics, is being to satisfy wider Regulatory Compliance

Significant Characteristics relating to Process Control (SPC)

Control Dimension relating to Form - Fit - Function as defined by Cole Hersee Company and/or the Customer.

(Note that the identification of any Characteristics as being "Special" does not alter the requirement that ALL specified dimensions & tolerances must be met.)

Responsible Engineer: **NA** Pg. 3 of 3

Cole Hersee Co.
 30 Old Colony Ave., South Boston, MA, 02127
 PHN: 617-266-2100 Web: www.colehersee.com

ROCKER SWITCH

Drawing / Part No.: **58027** Current Rev. **SEE PAGE ONE**