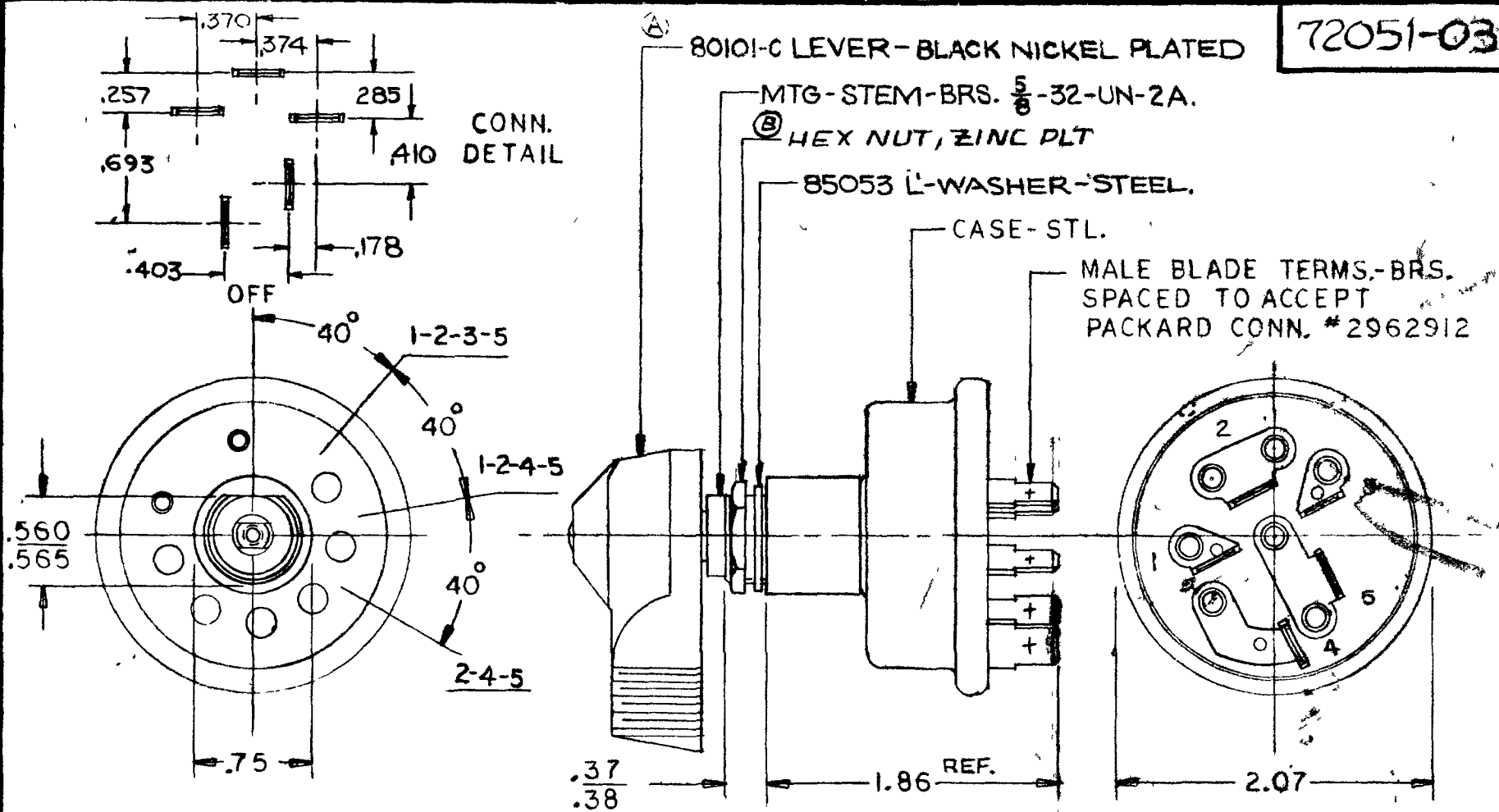


COLE-HERSEE CO.

NPM 8-10-73
EX16616-A

72051-03



LEGEND	
1	
2	
3	
4	
5	BATTERY

NOTE: 1 SILVER RIVETS AT MOVABLE CONTACTS
 2. TERM. RIVETS PLAIN COPPER
 3. RIVET COVER - LINEN MELAMINE
 4 O-RING SEALED AT MTG. STEM
 © 5 ALL STL. PARTS PLATED

DO NOT SCALE

LET	WAS	DATE	BY	LET	WAS	DATE	BY	MATERIAL	DRAWN	CHECKED	APPR'D	SCALE	72051 EXCEPT LEVER OPERATED	DATE DRAWN
									RW.	8 15 73 CUB		1=1"		1-8-73
				C	CAD ZINC / 25239	11/3/90	YL	FINISH					COLE-HERSEE COMPANY BOSTON, MASS. 02127, U.S.A.	DATE BLUEPRINT
				B	REV/LM75	10/29/80	BY	TOLERANCES					LIGHT SWITCH	72051-03
				A	15501 W 8-2-73	5-1-	RW	FRACTIONAL ± DECIMAL ±.01						

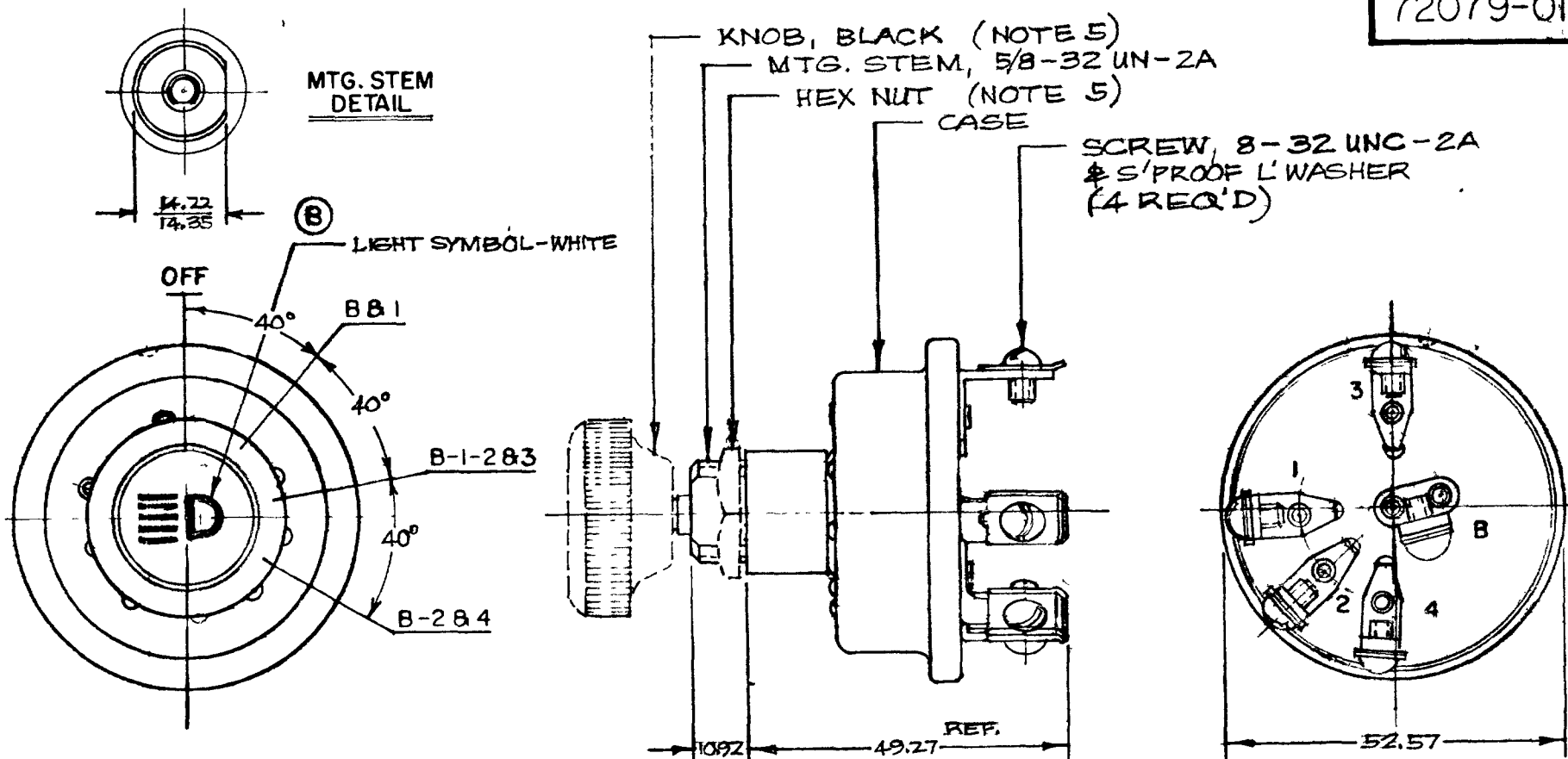
SPAULDING CO., INC 47570

MM IN

25 .010
 10.92 430
 14.22 560
 14.35 580
 52.57 2.070
 68.58 2.700

NPM 7-15-80
 EX-18700

72079-01



NOTE :

1. O-RING SEALED AT MTG. STEM & MTG. STEM SEAT
2. SILVERED CONTACT SURFACES
3. LINEN MELAMINE LINER
4. ALL STEEL PARTS PLATED
5. KNOB & HEX NUT SHIPPED LOOSE

LEGEND	
B	BATTERY
1	HAZARD WARNING
2	HEADLIGHTS & DISHLIGHTS
3	TAIL LIGHTS
4	WORKING LIGHTS

DO NOT SCALE

LET	WAS	DATE	BY	LET	WAS	DATE	BY	MATERIAL	DRAWN	CHECKED	APPRV'D	SCALE	72079, LESS CIRCUIT BREAKER	DATE DRAWN
								#	RMT	721-80		1:1		7-15-80
								FINISH						DATE BLUEPRINT
				B	ECN 24526	10/5/80	BL							
				A	REVISED 2/15/83 CIRCUIT TERM.	9/29/80	EA	TOLERANCES						
					ISSUED	7/24/80	Y	DECIMAL ±						
								METRIC ± .25						
 Cole Hersee Co. <small>20 OLD COLONY AVENUE SOUTH BOSTON MA U.S.A. 02127</small>													HEADLAMP SWITCH	72079-01

CH-188(4-78)