

68159-05

LEGEND

B	BATTERY
L	LOW
M	MEDIUM
R	HIGH
C	CLUTCH

KNOB, BLACK
PLASTIC WITH
WHITE IMPRINTING

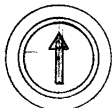
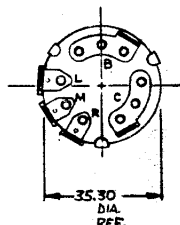
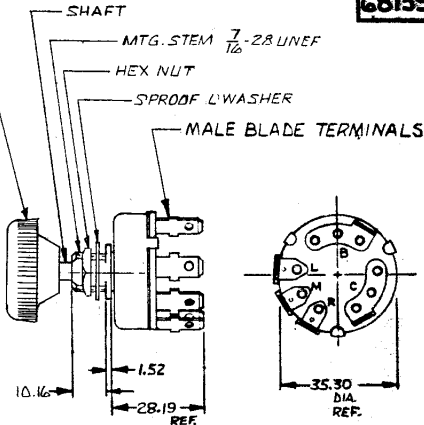
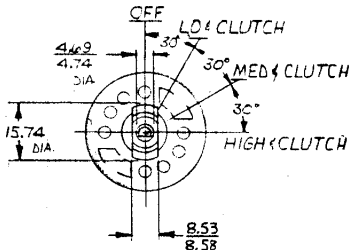
SHAFT

MTG. STEM $\frac{7}{16}$ -28 UNEF

HEX NUT

SPROOF L'WASHER

MALE BLADE TERMINALS



METRIC

FRONT VIEW
OF KNOB

NOTES:

1. IMPORTANT-NO BREAK IN CLUTCH CIRCUIT BETWEEN LOW, MEDIUM, & HIGH POSITION
2. SILVERED CONTACT SURFACES
3. MELAMINE LINER
4. ALL STEEL PARTS PLATED
5. ELECTRICAL RATING : 12/24VDC

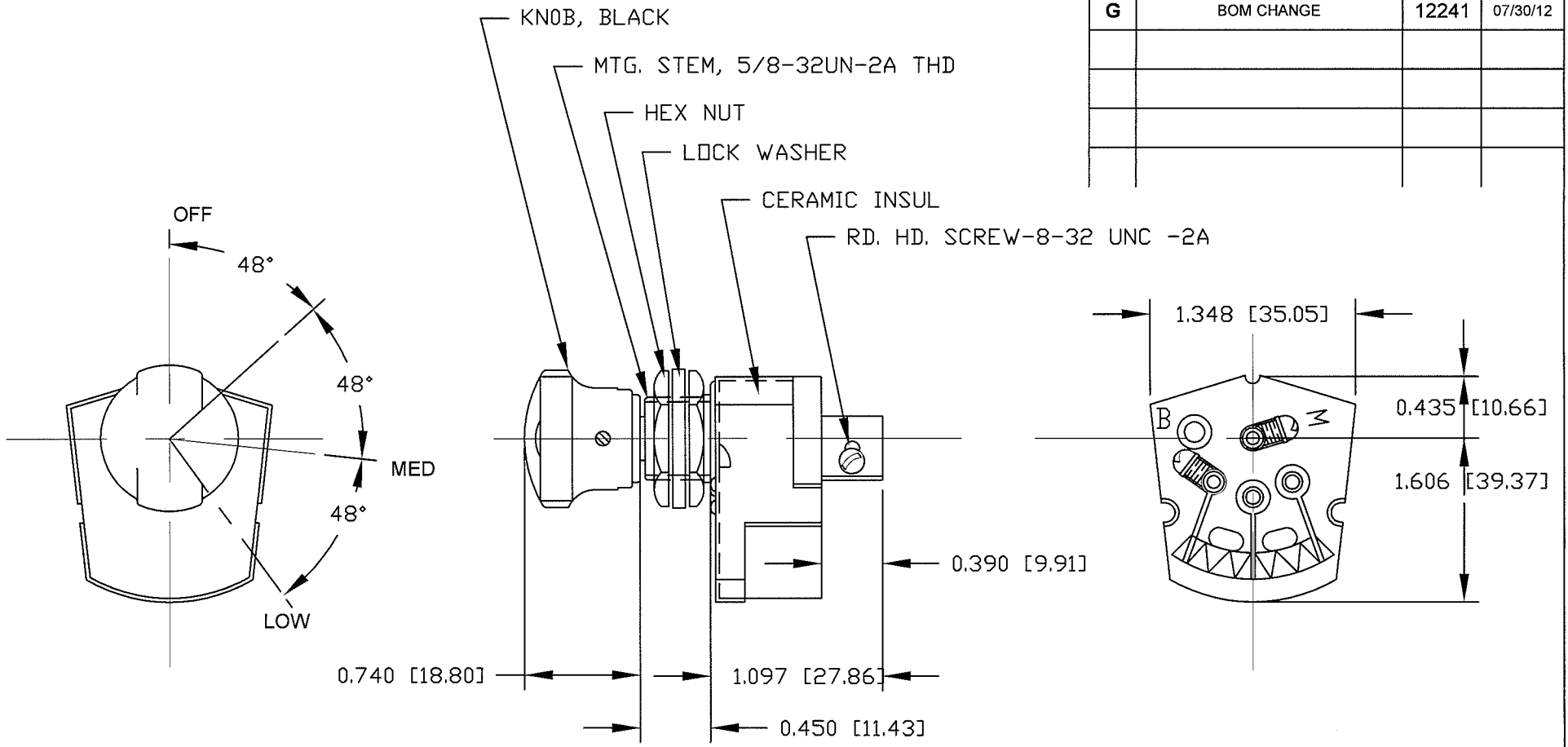
Ⓐ

DO NOT SCALE

LET.	WAS	DATE	BY	LET.	WAS	DATE	BY	MATERIAL	DRAWN	CHECKED	APPROVED	SCALE	DATE DRAWN
								11	PS			1:1	9-28-83
								FRESH					DATE BLUEPRINT
								TOLERANCES	 AIR CONDITIONING SWITCH WITH CLUTCH CIRCUIT				68159-05
							DECIMAL ±						
								METRIC ± .15					

Revision Control Record

Rev.	Description of Change	ECN No.	Date
G	BOM CHANGE	12241	07/30/12



NOTE: ALL STEEL PARTS PLATED

12 VOLT - 3 OHMS

DO NOT SCALE

Note: unless noted otherwise all dimension are AFTER plating
Tolerances: Unless otherwise specifically noted, the following
 are default tolerances;

2-places ± 0.02 [0.5] **3-places** ± 0.005 [0.13] **Angular** ± 1'

Unless otherwise specified dimensions are in inches.
 Dimensions in brackets [] are in millimeters.

"REF" = Non-Toleranced Reference Dimension, shown for
 clarification purposes only.

Note: All tolerances are Non-Cumulative.

**PROPRIETARY
 INFORMATION**

All information contained
 herein, is proprietary to the
 Cole Hersee Company.
 Unauthorized use or
 reproduction is prohibited.

3RD ANGLE PROJECTION

Special Characteristics:

Critical Characteristic, relating to Safety and/or Regulatory Compliance

Significant Characteristic relating to Process Control

Control Dimension relating to Form - Fit - Function as defined by Cole Hersee Company and/or the Customer



Littelfuse®

Phn: 617-268-2100 Web: www.colehersee.com

Description:

HEATER SWITCH

Drawing / Part No.:

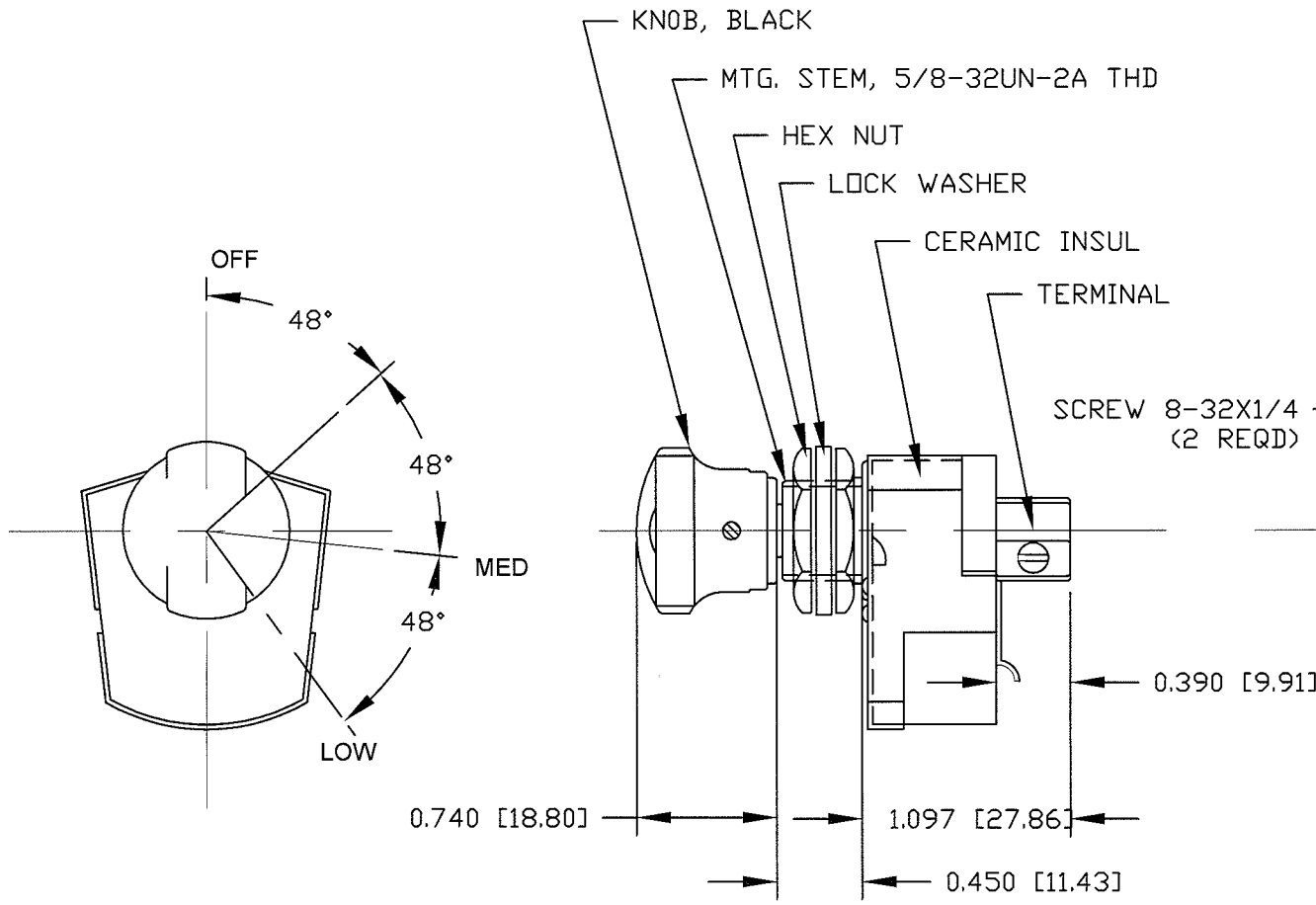
68362

Current Rev.:

G

Revision Control Record

Rev.	Description of Change	ECN No.	Date
F	BOM CHANGE	12241	07/30/12



6 OHMS

DO NOT SCALE

Note: unless noted otherwise all dimension are AFTER plating
Tolerances: Unless otherwise specifically noted, the following are default tolerances;

2-places **3-places** **Angular**
 ± 0.02 [0.5] ± 0.005 [0.13] $\pm 1^\circ$

Unless otherwise specified dimensions are in inches.
 Dimensions in brackets [] are in millimeters.

"REF" = Non-Toleranced Reference Dimension, shown for clarification purposes only.

Note: All tolerances are Non-Cumulative.

PROPRIETARY INFORMATION

All information contained herein, is proprietary to the Cole Hersee Company. Unauthorized use or reproduction is prohibited.

3RD ANGLE PROJECTION

Special Characteristics:

- Critical Characteristic, relating to Safety and/or Regulatory Compliance
- Significant Characteristic relating to Process Control
- Control Dimension relating to Form - Fit - Function as defined by Cole Hersee Company and/or the Customer



Littelfuse[®]

Phn: 617-268-2100 Web: www.colehersee.com

Description:

HEATER SWITCH

Drawing / Part No.:

68363

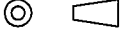



Current Rev.:

F

Revision Control Record

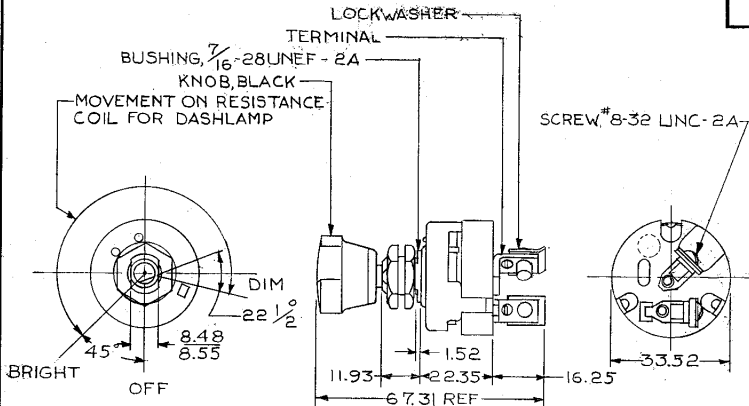
Rev.	Description of Change	ECN No.	Date
A	BOM CHANGE	12241	07/30/12

**24 VOLT, 6 OHM HEATER SWITCH
 BASIC 68363 WITH 6855-1.
 FACE PLATE-TAN (MODERNE)
 8155 KNOB ASSEMBLY-TAN**

<p>Note: unless noted otherwise all dimension are <u>AFTER</u> plating Tolerances: Unless otherwise specifically noted, the following are default tolerances;</p> <table border="0"> <tr> <td align="center">2-places</td> <td align="center">3-places</td> <td align="center">Angular</td> </tr> <tr> <td align="center">± 0.02 [0.5]</td> <td align="center">± 0.005 [0.13]</td> <td align="center">± 1°</td> </tr> </table> <p>Unless otherwise specified dimensions are in inches. Dimensions in brackets [] are in millimeters. "REF" = Non-Toleranced Reference Dimension, shown for clarification purposes only. Note: All tolerances are Non-Cumulative.</p>		2-places	3-places	Angular	± 0.02 [0.5]	± 0.005 [0.13]	± 1°	<p align="center">PROPRIETARY INFORMATION</p> <p>All information contained herein, is proprietary to the Cole Hersee Company. Unauthorized use or reproduction is prohibited.</p> <p align="center">3RD ANGLE PROJECTION </p>		<p align="center">Special Characteristics:</p> <p> Critical Characteristic, relating to Safety and/or Regulatory Compliance</p> <p><input checked="" type="checkbox"/> Significant Characteristic relating to Process Control</p> <p> Control Dimension relating to Form - Fit - Function as defined by Cole Hersee Company and/or the Customer</p>		<p align="center"> Littelfuse® Phn: 617-268-2100 Web: www.colehersee.com</p> <p>Description: HEATER SWITCH</p>	
2-places	3-places	Angular											
± 0.02 [0.5]	± 0.005 [0.13]	± 1°											
FORM CHT-6 (1/12)	Used On or Ref.: XXXXXXXX	Scale: 1:1	Drawn BY: N. B	Date Drawn: 09/08/67	Pg. 1 of 1	Drawing / Part No.: 68366	Current Rev. A						

7493

MM.-IN.
 .25 - .010
 1.52 - .060
 8.48 - .334
 8.55 - .337
 11.93 - .470
 16.25 - .640
 22.35 - .880
 33.52 - 1.320
 67.31 - 2.650



7493-03	5.0 OHMS ±10%
7493-02	2.0 OHMS ±10%
7493-01	3.0 OHMS ±10%
7493	8.0 OHMS ±10%
PART NO.	RES COIL

(H)

Confidential Property of Cole Hersee

METRIC

DO NOT SCALE

LET.	WAS	DATE	BY	LET	WAS	DATE	BY	MATERIAL	DRAWN	CHECKED	APPROVED	SCALE	DATE DRAWN
								#	EA	5-26-80		1:1	12-3-57
								FINISH					DATE BLUEPRINT
								TOLERANCES	 RHEOSTAT SWITCH				7493
								DECIMAL ± .010					
								METRIC ± .25					

7493-07

MPM 9-12-72

COLE-HERSEE CO.

BASIC 7493
EXCEPT
WITH 8166-07 BLACK KNOB
IMPRINTED "PANEL LAMPS

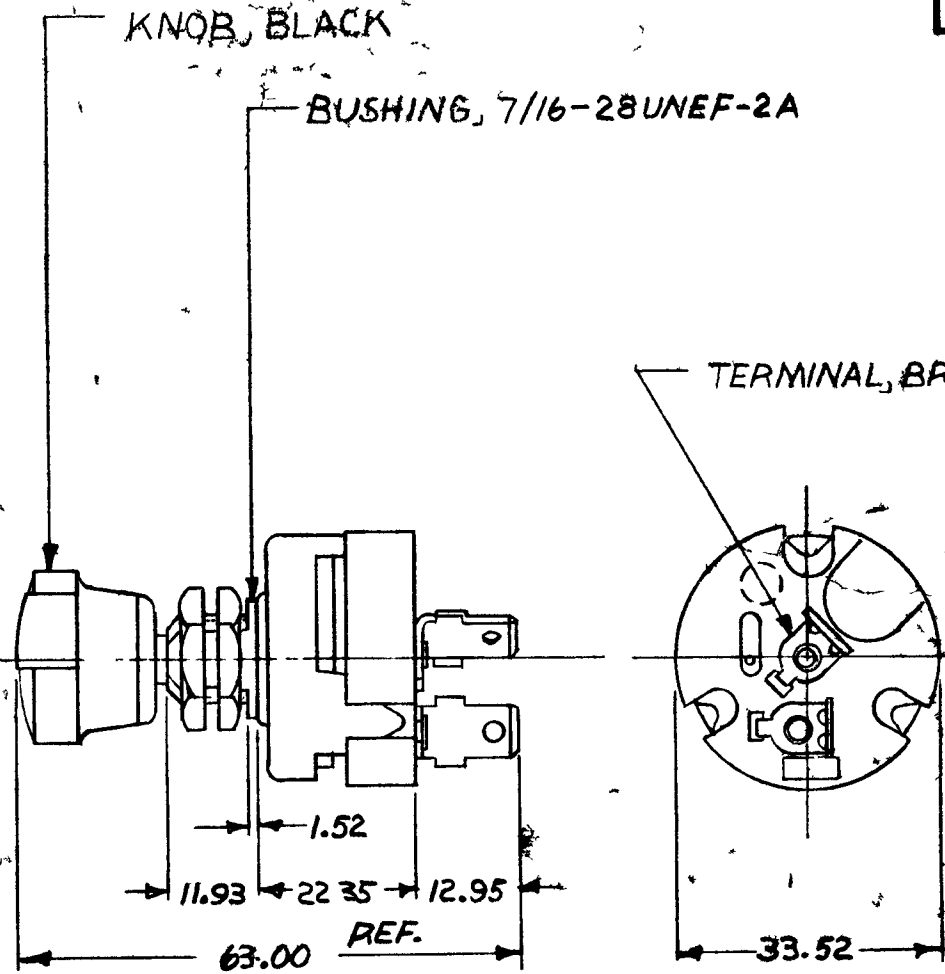
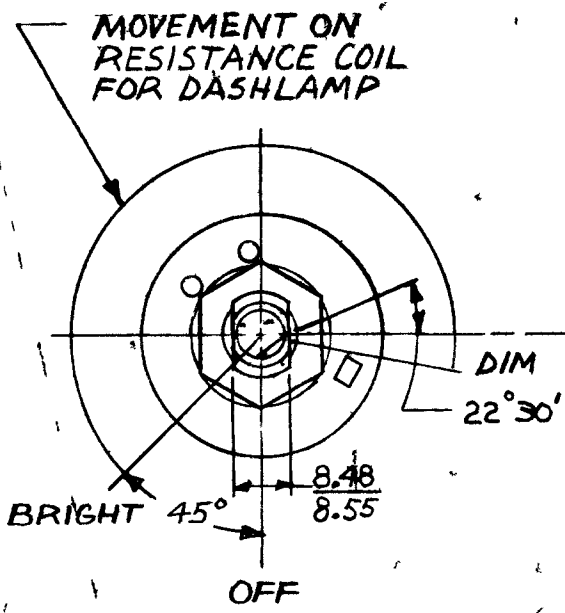
DO NOT SCALE

LET	WAS	DATE	BY	LET	WAS	DATE	BY	MATERIAL	DRAWN	CHECKED	APPRV D	SCALE	DATE DRAWN
								NOTED	B	MPM		#	9-5-72
								FINISH NOTED	COLE-HERSEE COMPANY BOSTON, MASS. 02127, U S A.				DATE BLUEPRINT
								TOLERANCES FRACTIONAL ± DECIMAL ±	RHEOSTAT SWITCH				7493-07
					ISSUE	7-22-72	MPM						

SPAULDING CO., INC

7496

MM	IN
010	
060	
334	
337	
470	
510	
880	
1,320	
2,520	



8.0 OHMS ± 10%

DO NOT SCALE

LET	WAS	DATE	BY	LET	WAS	DATE	BY	MATERIAL	DRAWN	CHECKED	APPRV D	SCALE	DATE DRAWN
								NOTED	RG	FY		11	3-2-59
								FINISH NOTED					DATE BLUEPRINT
								TOLERANCES					
				F	REDRAWN	3-6-80	(R)	DECIMAL ± .010 METRIC ± .25	RHEOSTAT SWITCH				7496

CH 188(4 78)

7493-04

COLE-HERSEE CO

NPM 9 2 72

BASIC - 7496
EXCEPT
WITH 8166 07 BLACK KNOB
IMPRINTED PANEL LAMPS
SHIPPED LOOSE

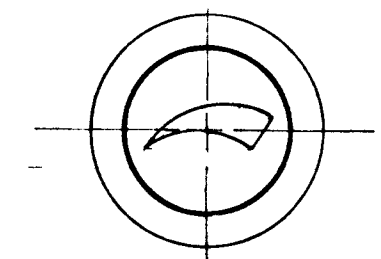
DO NOT SCALE

LET	WAS	DATE	BY	LET	WAS	DATE	BY	MATERIAL	W					DATE DRAWN
														9 5-72
								FINISH	COLE HERSEE COMPANY				DATE BLUEPRINT	
								TOLERANCES	BOSTON MASS 02127 U S A					
					ISSUED	7 1 72		FRACTIONAL ±	RHEOSTAT SWITCH				749601	
								DECIMAL ±						

SP UL I G C I

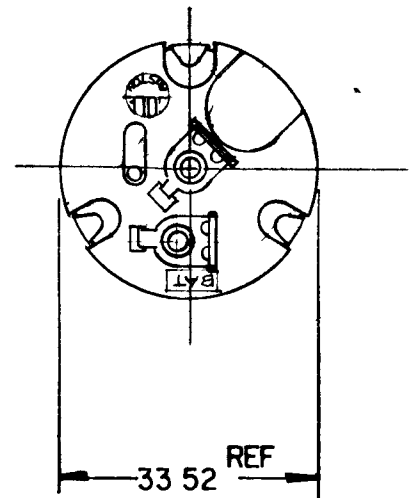
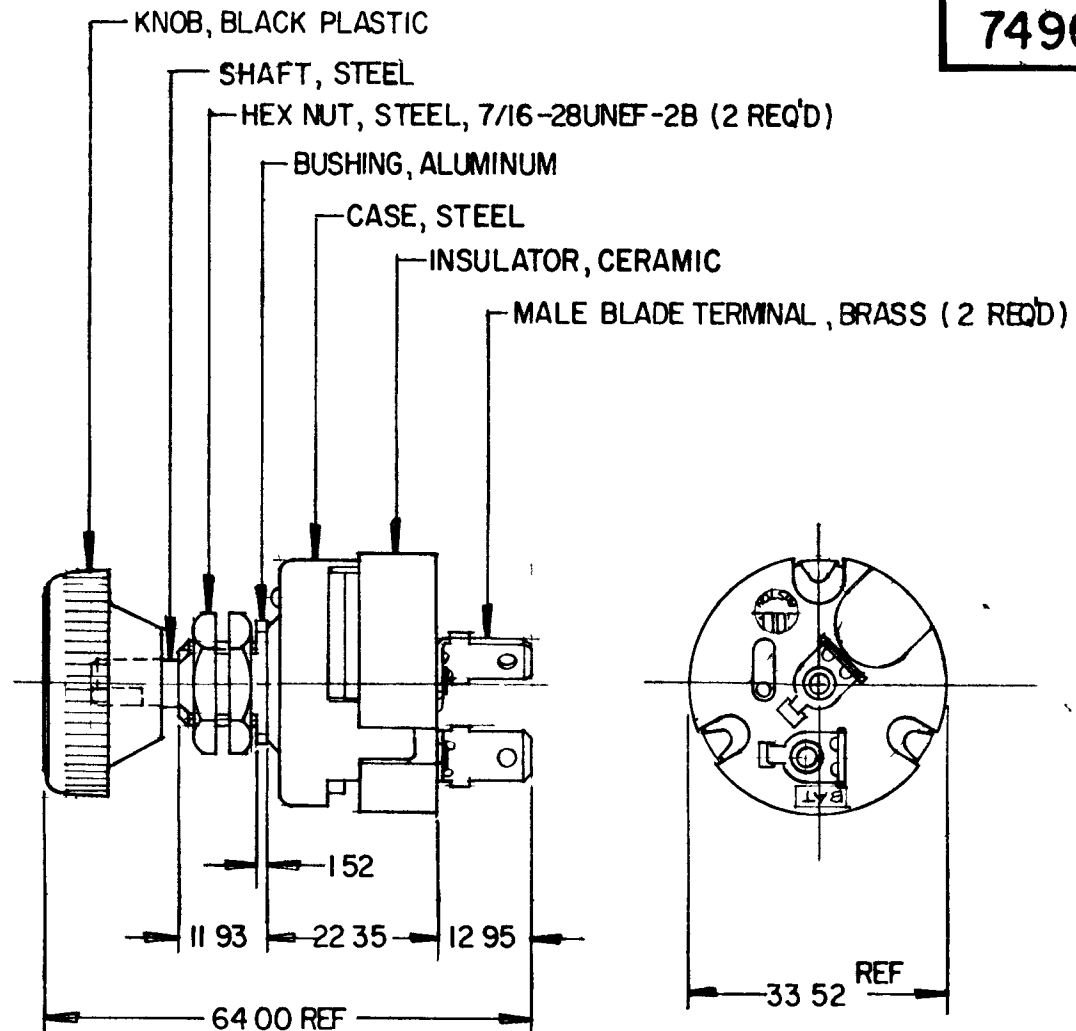
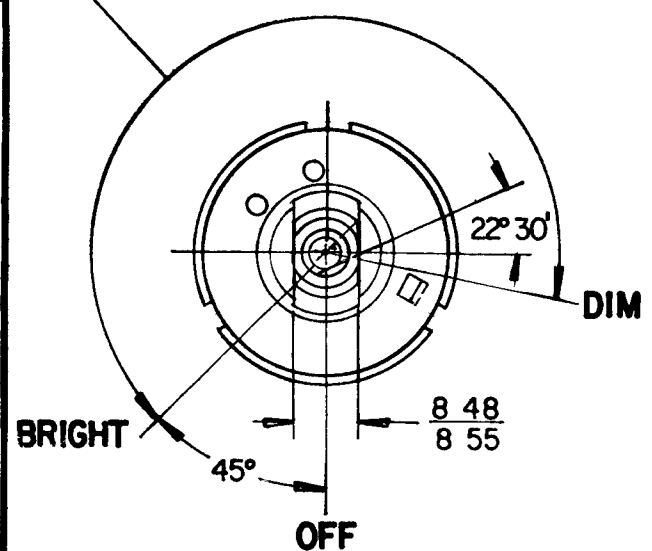
MM	IN
0.25	.010
1.52	.060
8.48	.334
8.55	.337
11.93	.470
12.95	.510
22.35	.880
33.52	1.320
64.00	2.520

7496-II



FRONT VIEW OF KNOB

MOVEMENT ON 18 OHMS RESISTANCE FOR DASHLAMP



NOTE

ALL STEEL PARTS EITHER ZINC PLATE WITH DICHROMATE DIP OR CADMIUM PLATE

METRIC

18 OHMS

DO NOT SCALE

LET	WAS	DATE	BY	LET	WAS	DATE	BY	MATERIAL	DRAWN	CHECKED	APPRV D	SCALE	BASIC W/ 18 OHMS COIL & 81298-37 KNOB	DATE DRAWN
								— # —	JAV	8279		FULL		7-26-79
								FINISH						DATE BLUEPRINT
							— # —							
								TOLERANCES	RHEOSTAT SWITCH					7496-II
							DECIMAL ±							
								METRIC ±0.25						

ISSUED 8-2-79

CH 188(4 78)

NPM 8-1-79