

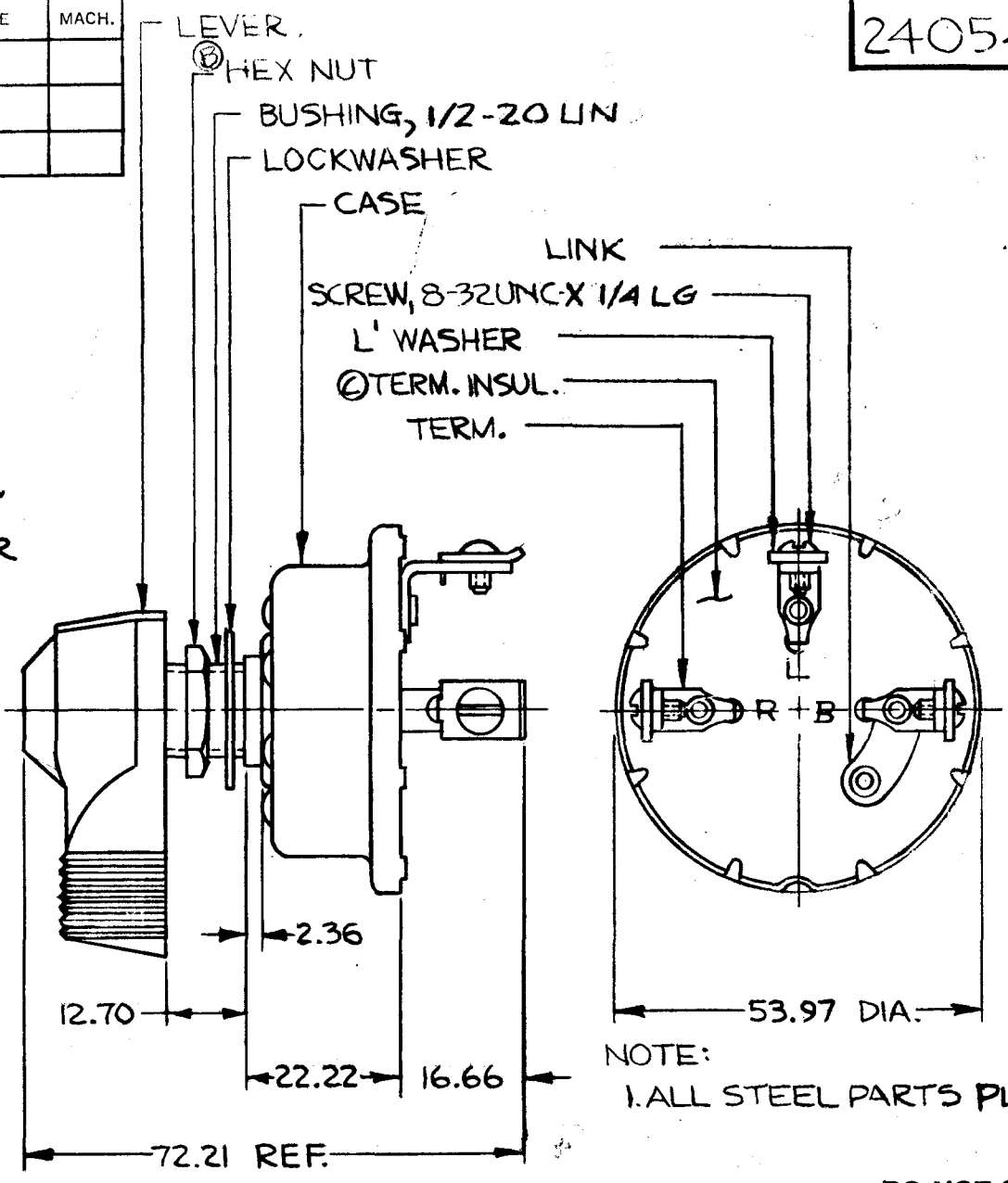
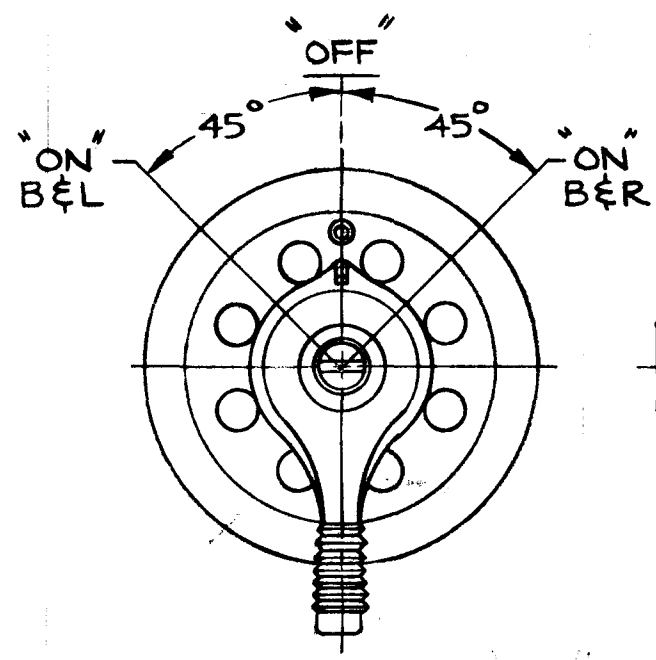
MM.	IN.
0.25	.010
2.36	.093
2.70	.500
16.66	.656
22.22	.875
53.97	2.125
72.21	2.843

KEY OPER.
9554

COLE-HERSEE CO.

SEQ.	DEPT.	OPERATING INSTRUCTIONS	DIE	MACH.

24054



NOTE:
1. ALL STEEL PARTS PLATED

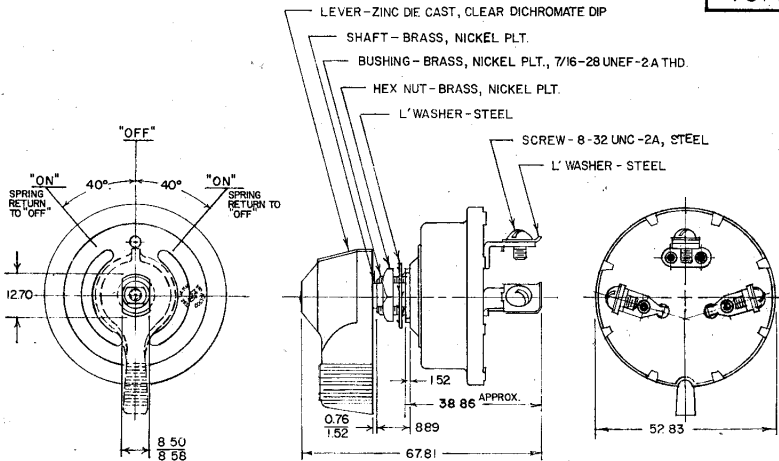
METRIC

DO NOT SCALE

LET	WAS	DATE	BY	LET	WAS	DATE	BY	MATERIAL	DRAWN	CHECKED	APPRV'D.	SCALE	DATE DRAWN	
									PB	5-16-78		1=1	5-14-56	
								FINISH	COLE-HERSEE COMPANY BOSTON, MASS. 02127, U.S.A.				DATE BLUEPRINT	
				C	REV 10/26/75	10-26-75	PS	TOLERANCES					THREE POSITION	24054
				B	REV 20/975	10-26-75		FRACTIONAL ±					ROTARY LEVER SWITCH	
				A	REDRAWN	5-12-78	JK	DECIMAL ±0.25						

SPAULDING CO., INC.

75701

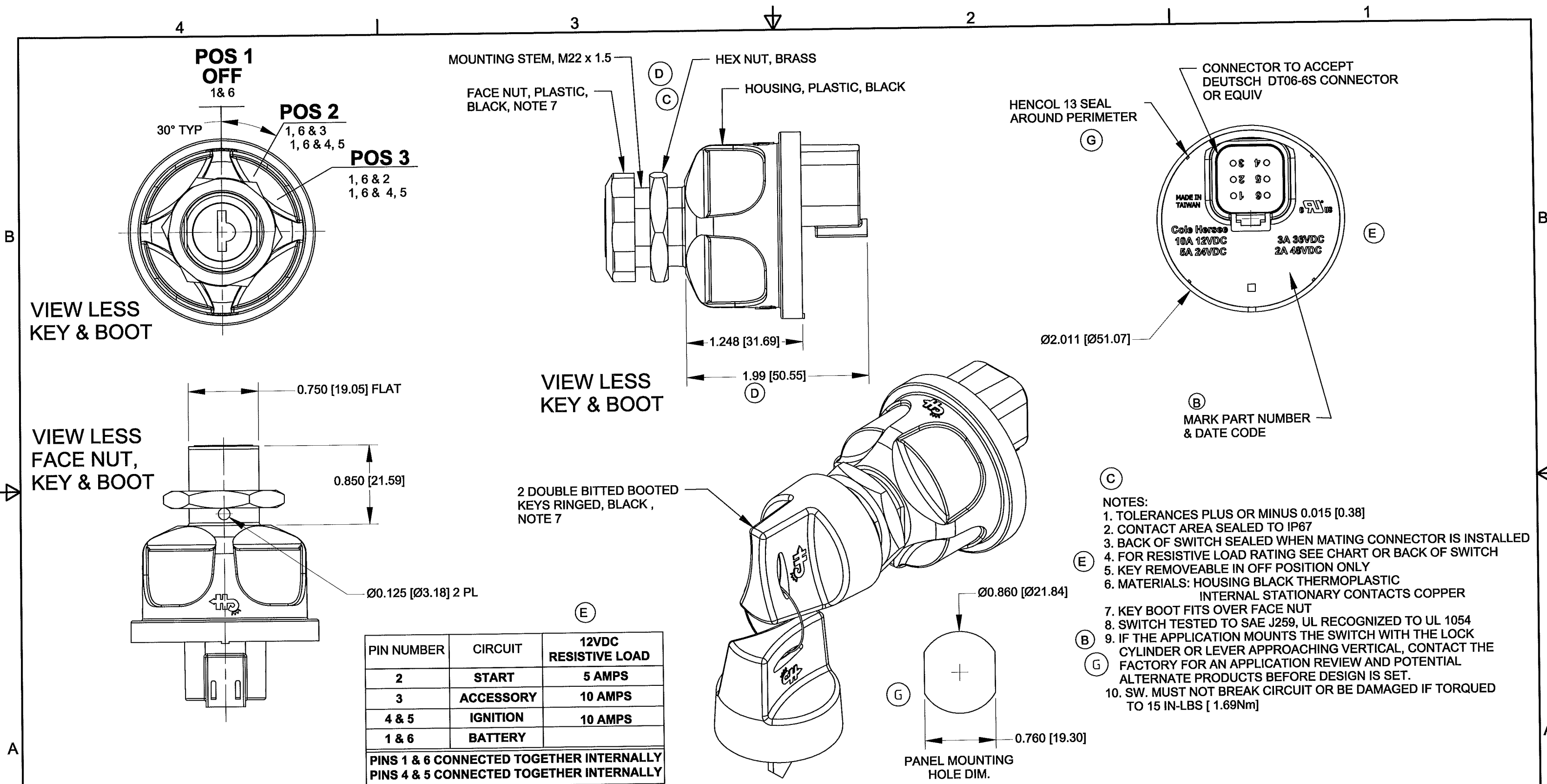


Confidential Property of Cole Hersee

- NOTE:
- 1 CONTACT RIVETS TO BE SOLID SILVER
 - 2 DENOTES PHOS BRONZE SILVER LAMINATED RIVETS
 - 3 ALL STEEL PARTS PLATED

METRIC**DO NOT SCALE**

LET	WAS	DATE	BY	LET	WAS	DATE	BY	MATERIAL	DRAWN	CHECKED	APPROV'D	SCALE	DATE DRAWN
								—//—	SB	FY	4-18-78	1:1	7-2-64
								FINISH	COLE-HERSEE COMPANY BOSTON, MASS. 02127, U.S.A.				DATE BLUEPRINT
				F	0452	7/4/71	JN	—//—					3-POSITION ROTARY SWITCH
				E	CASCO ZINC / 25234	11/24/72	5H	TOLERANCES					
				D	REDRAWN	2-27-78	FR	FRACTIONAL ±					
								DECIMAL ± .25					



PIN NUMBER	CIRCUIT	12VDC RESISTIVE LOAD
2	START	5 AMPS
3	ACCESSORY	10 AMPS
4 & 5	IGNITION	10 AMPS
1 & 6	BATTERY	

PINS 1 & 6 CONNECTED TOGETHER INTERNALLY
PINS 4 & 5 CONNECTED TOGETHER INTERNALLY

- NOTES:
1. TOLERANCES PLUS OR MINUS 0.015 [0.38]
 2. CONTACT AREA SEALED TO IP67
 3. BACK OF SWITCH SEALED WHEN MATING CONNECTOR IS INSTALLED
 4. FOR RESISTIVE LOAD RATING SEE CHART OR BACK OF SWITCH
 5. KEY REMOVEABLE IN OFF POSITION ONLY
 6. MATERIALS: HOUSING BLACK THERMOPLASTIC
INTERNAL STATIONARY CONTACTS COPPER
 7. KEY BOOT FITS OVER FACE NUT
 8. SWITCH TESTED TO SAE J259, UL RECOGNIZED TO UL 1054
 9. IF THE APPLICATION MOUNTS THE SWITCH WITH THE LOCK CYLINDER OR LEVER APPROACHING VERTICAL, CONTACT THE FACTORY FOR AN APPLICATION REVIEW AND POTENTIAL ALTERNATE PRODUCTS BEFORE DESIGN IS SET.
 10. SW. MUST NOT BREAK CIRCUIT OR BE DAMAGED IF TORQUED TO 15 IN-LBS [1.69Nm]

Revision Control Record			
Rev.	Description of Change	ECN No.	Date
			D
G	ADDED HENCOL 13	13167	6/17/13
F	ADDED MADE IN TAIWAN	11215	7/15/11
E	ADDED CHART & UL	10254	6/24/10

Revision Control Record			
Rev.	Description of Change	ECN No.	Date
			D
C	ADDED HEX NUT, 1.950	07102	3/30/07
B	REVISED NOTES; DELETED HEX NUT	07049	2/15/07
A	ADDED NOTES	06325	10/4/06
	RELEASED DRAWING	06287	8/11/06

Tolerances Unless otherwise specifically noted, the following are default tolerances:
 * 2-place Decimal Dimensions +/- .02"
 * 3-place Decimal Dimensions +/- .005"
 * Angular Dimensions +/- 1.0 Deg.
 * Matr: Refer to equivalent English Dimension Tolerance
 >>> NOTE: All tolerances are Non-Cumulative. <<<

Dimensional Units All dimensions are expressed in inches except those shown in brackets (xxx) are expressed in millimeters

"REF." or an Asterisk (*) = Non-Toleranced Reference Dimension, shown for clarification purposes only.

Used On or Ref.: **EX28124**

PROPRIETARY INFORMATION This Engineering Drawing, and the information contained herein, is proprietary to Cole Hersee Company and may not be disclosed, re-produced, or in any other way transferred or communicated to any other party without the express written consent of an authorized representative of Cole Hersee Company.

DESIGN CONTROL It is the responsibility of the individual using / referencing this drawing to assure that the noted design revision level agrees with the revision level of the Controlled Document (Master Drawing). This is a NON-CONTROLLED DOCUMENT unless otherwise specifically noted.

DO NOT SCALE - Dimensional variation may occur during printing / reproduction.

Scale: 1:1

Drawn By: **DPS** Date Drawn: **8/11/06**

Special Characteristics:

- CC Critical Characteristic, relating to Safety and/or Regulatory Compliance
- X Significant Characteristic relating to Process Control (SPC)
- KC Control Dimension relating to Form - Fit - Function as defined by Cole Hersee Company and/or the Customer

(Note that the identification of any Characteristics as being "Special" does not alter the requirement that ALL specified dimensions & tolerances must be met.)

Responsible Engineer: **JT**

PAGE 1
Created using Autocad Inventor

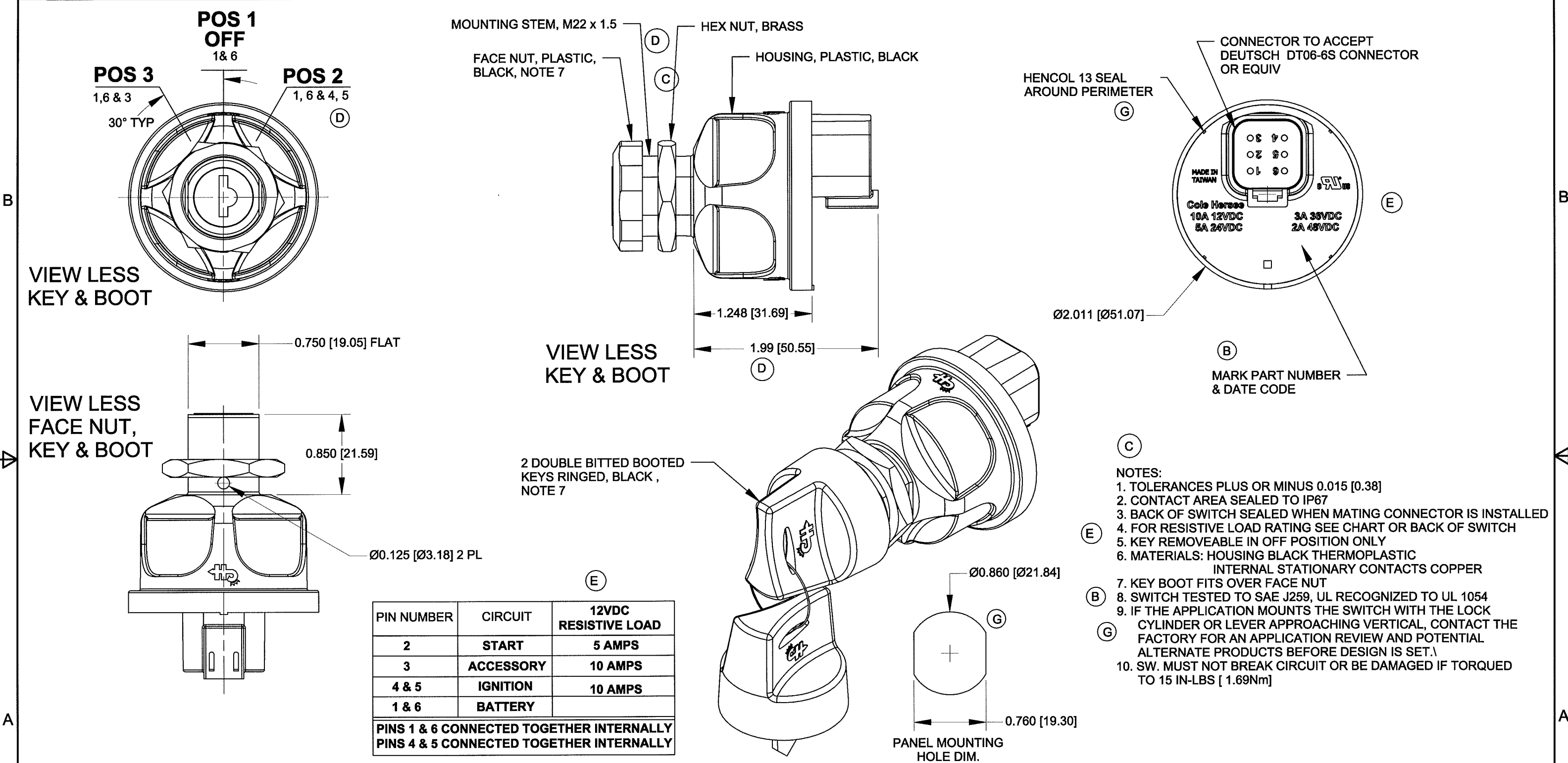
Cole Hersee Co.
 20 Old Colony Ave., South Boston, MA, 02127
 Phn: 617-268-2100 Web: www.colehersee.com

Description:
SW, ROT, 3POS, PLSTC

Drawing / Part No.: **95060-05**

Current Rev.: **G**

4 3 2 1



PIN NUMBER	CIRCUIT	12VDC RESISTIVE LOAD
2	START	5 AMPS
3	ACCESSORY	10 AMPS
4 & 5	IGNITION	10 AMPS
1 & 6	BATTERY	

PINS 1 & 6 CONNECTED TOGETHER INTERNALLY
PINS 4 & 5 CONNECTED TOGETHER INTERNALLY

- NOTES:
1. TOLERANCES PLUS OR MINUS 0.015 [0.38]
 2. CONTACT AREA SEALED TO IP67
 3. BACK OF SWITCH SEALED WHEN MATING CONNECTOR IS INSTALLED
 4. FOR RESISTIVE LOAD RATING SEE CHART OR BACK OF SWITCH
 5. KEY REMOVEABLE IN OFF POSITION ONLY
 6. MATERIALS: HOUSING BLACK THERMOPLASTIC
INTERNAL STATIONARY CONTACTS COPPER
 7. KEY BOOT FITS OVER FACE NUT
 8. SWITCH TESTED TO SAE J259, UL RECOGNIZED TO UL 1054
 9. IF THE APPLICATION MOUNTS THE SWITCH WITH THE LOCK CYLINDER OR LEVER APPROACHING VERTICAL, CONTACT THE FACTORY FOR AN APPLICATION REVIEW AND POTENTIAL ALTERNATE PRODUCTS BEFORE DESIGN IS SET.
 10. SW. MUST NOT BREAK CIRCUIT OR BE DAMAGED IF TORQUED TO 15 IN-LBS [1.69Nm]

Rev.	Description of Change	ECN No.	Date
G	ADDED HENCOL 13	13169	6/17/13
F	ADDED MADE IN TAIWAN	11215	7/15/11
E	ADDED CHART & UL	10254	6/24/10

Rev.	Description of Change	ECN No.	Date
D	REVISED CIRCUITRY; ADDED HEX NUT; 1.950	07103	4/2/07
C	REVISED NOTES; DELETED HEX NUT	07049	2/15/07
B	ADDED NOTES	06325	10/4/06
A	RELEASED DRAWING	06287	8/11/06

Tolerances Unless otherwise specifically noted, the following are default tolerances:
 • 2-place Decimal Dimensions +/- .02"
 • 3-place Decimal Dimensions +/- .005"
 • Angular Dimensions +/- 1.0 Deg.
 • Metric: Refer to equivalent English Dimension Tolerance
 >>> NOTE: All tolerances are Non-Cumulative. <<<

Dimensional Units All dimensions are expressed in inches except those shown in brackets (xxx) are expressed in millimeters

"REF" or an Asterisk (*) = Non-Toleranced Reference Dimension, shown for clarification purposes only.

Used On **EX28124** Scale: 1:1

PROPRIETARY INFORMATION This Engineering Drawing, and the information contained herein, is proprietary to Cole Hersee Company and may not be disclosed, re-produced, or in any other way transferred or communicated to any other party without the express written consent of an authorized representative of Cole Hersee Company.

DESIGN CONTROL It is the responsibility of the individual using / referencing this drawing to assure that the noted design revision level agrees with the revision level of the Controlled Document (Master Drawing). This is a NON-CONTROLLED DOCUMENT unless otherwise specifically noted.

DO NOT SCALE - Dimensional variation may occur during printing / reproduction.

Drawn By: **DPS** Date Drawn: **8/11/06**

Special Characteristics:

- Critical Characteristic, relating to Safety and/or Regulatory Compliance
- Significant Characteristic relating to Process Control (SPC)
- Control Dimension relating to Form - Fit - Function as defined by Cole Hersee Company and/or the Customer

(Note that the identification of any Characteristics as being "Special" does not alter the requirement that ALL specified dimensions & tolerances must be met.)

Responsible Engineer: **JT** **PAGE 1** Created using Autocad Inventor

Cole Hersee Co.
 20 Old Colony Ave., South Boston, MA, 02127
 Phn: 617-268-2100 Web: www.colehersee.com

Description:
SW, ROT, 3POS, PLSTC

Drawing / Part No.: **95060-06** Current Rev. **G**

4 3 2 1

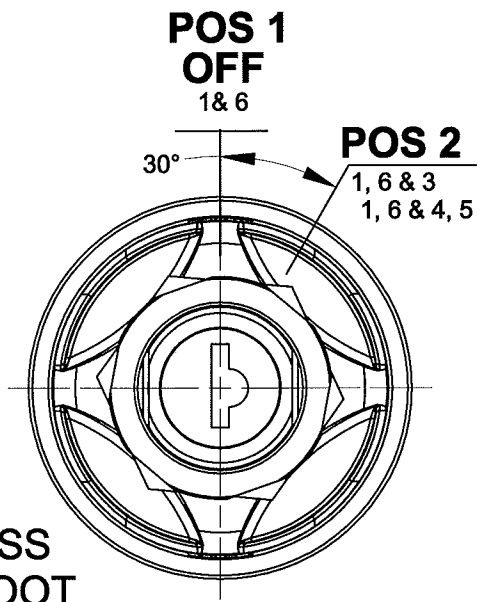
4 3 2 1

B

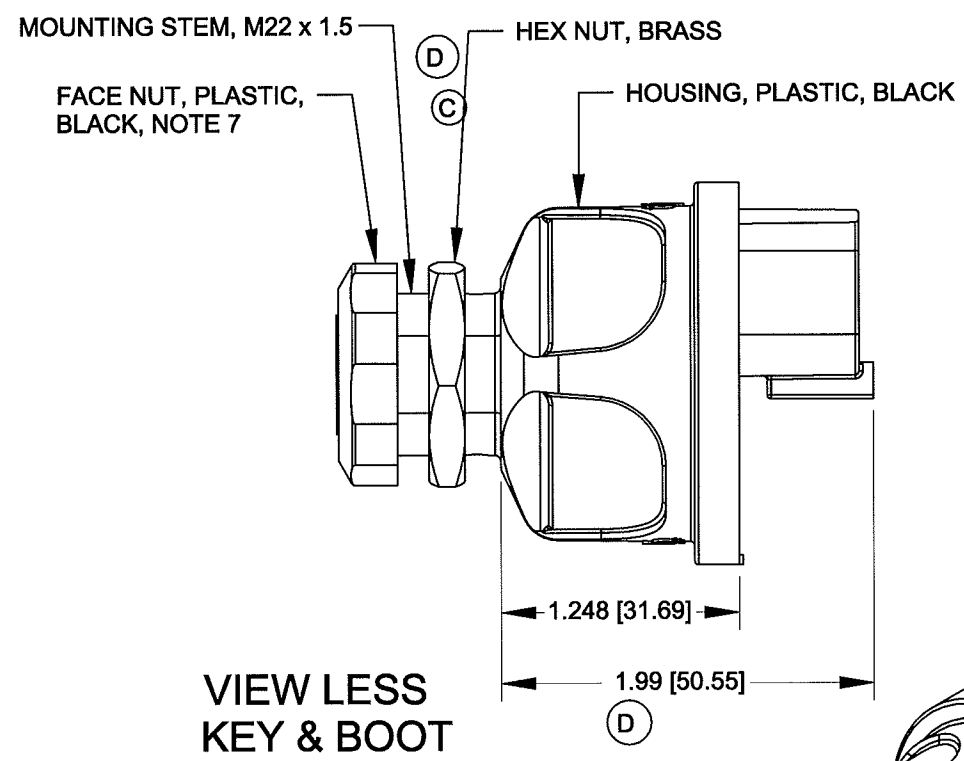
B

A

A



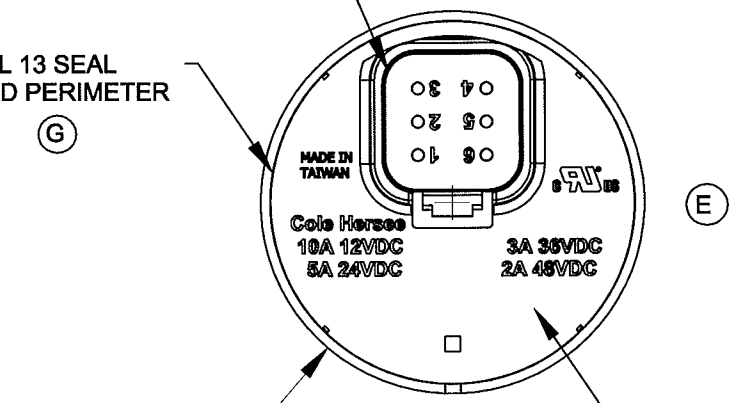
VIEW LESS KEY & BOOT



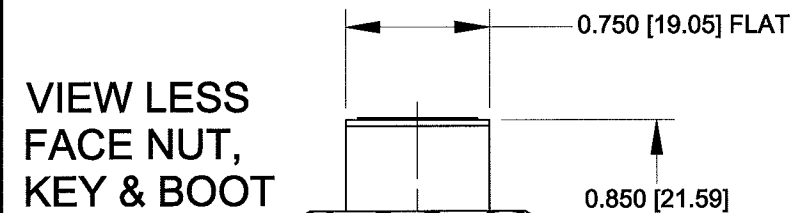
VIEW LESS KEY & BOOT

HENCOL 13 SEAL AROUND PERIMETER (G)

CONNECTOR TO ACCEPT DEUTSCH DT06-6S CONNECTOR OR EQUIV

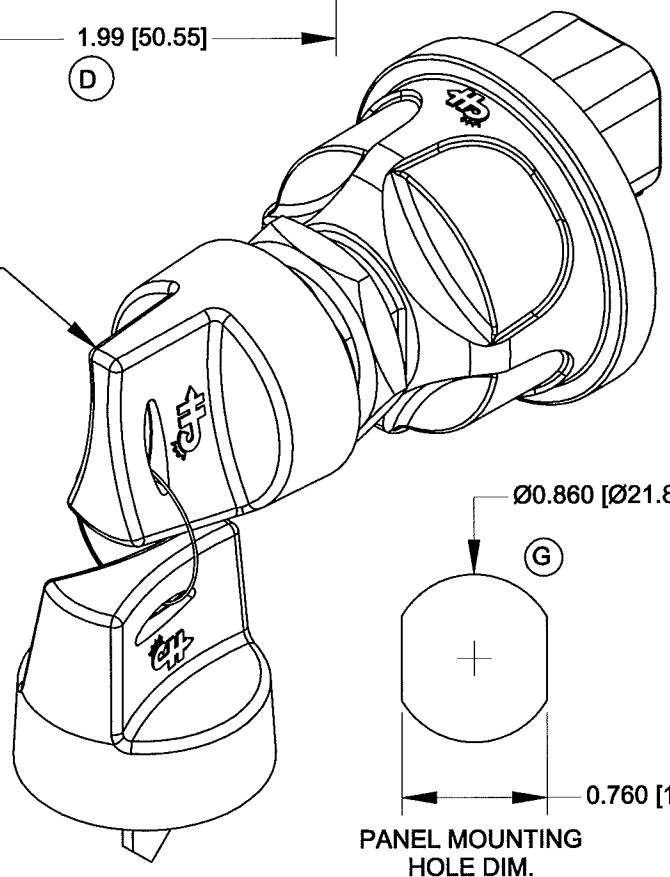


MARK PART NUMBER & DATE CODE (B)



VIEW LESS FACE NUT, KEY & BOOT

2 DOUBLE BITTED BOOTED KEYS RINGED, BLACK, NOTE 7



PANEL MOUNTING HOLE DIM.

- NOTES:
1. TOLERANCES PLUS OR MINUS 0.015 [0.38]
 2. CONTACT AREA SEALED TO IP67
 3. BACK OF SWITCH SEALED WHEN MATING CONNECTOR IS INSTALLED
 4. FOR RESISTIVE LOAD RATING SEE CHART OR BACK OF SWITCH
 5. KEY REMOVEABLE IN OFF POSITION ONLY
 6. MATERIALS: HOUSING BLACK THERMOPLASTIC
INTERNAL STATIONARY CONTACTS COPPER
 7. KEY BOOT FITS OVER FACE NUT
 8. SWITCH TESTED TO SAE J259, UL RECOGNIZED TO UL 1054
 9. IF THE APPLICATION MOUNTS THE SWITCH WITH THE LOCK CYLINDER OR LEVER APPROACHING VERTICAL, CONTACT THE FACTORY FOR AN APPLICATION REVIEW AND POTENTIAL ALTERNATE PRODUCTS BEFORE DESIGN IS SET.
 10. SW. MUST NOT BREAK CIRCUIT OR BE DAMAGED IF TORQUED TO 15 IN-LBS [1.69Nm]

PIN NUMBER	CIRCUIT	12VDC RESISTIVE LOAD
2	START	5 AMPS
3	ACCESSORY	10 AMPS
4 & 5	IGNITION	10 AMPS
1 & 6	BATTERY	

PINS 1 & 6 CONNECTED TOGETHER INTERNALLY
PINS 4 & 5 CONNECTED TOGETHER INTERNALLY

Rev.	Description of Change	ECN No.	Date
G	ADDED HENCOL 13	13169	6/17/13
F	ADDED MADE IN TAIWAN	11215	7/15/11
E	ADDED CHART & UL	10254	6/24/10

Rev.	Description of Change	ECN No.	Date
D	ADDED HEX NUT, 1.950	07102	3/30/07
C	REVISED NOTES; DELETED HEX NUT	07049	2/15/07
B	ADDED NOTES	06325	10/4/06
A	RELEASED DRAWING	06287	8/11/06

Tolerances Unless otherwise specifically noted, the following are default tolerances:
 * 2-place Decimal Dimensions +/- .02"
 * 3-place Decimal Dimensions +/- .005"
 * Angular Dimensions +/- 1.0 Deg.
 * Metric: Refer to equivalent English Dimensional Tolerance
 >>> NOTE: All tolerances are Non-Cumulative. <<<

Dimensional Units All dimensions are expressed in inches except those shown in brackets (xxx) are expressed in millimeters

"REF." or an Asterisk (*) = Non-Toleranced Reference Dimension, shown for clarification purposes only.

Used On **EX28124** or Ref.:

PROPRIETARY INFORMATION This Engineering Drawing, and the information contained herein, is proprietary to Cole Hersee Company and may not be disclosed, re-produced, or in any other way transferred or communicated to any other party without the express written consent of an authorized representative of Cole Hersee Company.

DESIGN CONTROL It is the responsibility of the individual using / referencing this drawing to assure that the noted design revision level agrees with the revision level of the Controlled Document (Master Drawing). This is a NON-CONTROLLED DOCUMENT unless otherwise specifically noted.

DO NOT SCALE - Dimensional variation may occur during printing / reproduction.

Drawn By: **DPS** Date Drawn: **8/11/06**

Special Characteristics:

- CC Critical Characteristic, relating to Safety and/or Regulatory Compliance
- X Significant Characteristic relating to Process Control (SPC)
- KC Control Dimension relating to Form - Fit - Function as defined by Cole Hersee Company and/or the Customer

(Note that the identification of any Characteristics as being "Special" does not alter the requirement that ALL specified dimensions & tolerances must be met.)

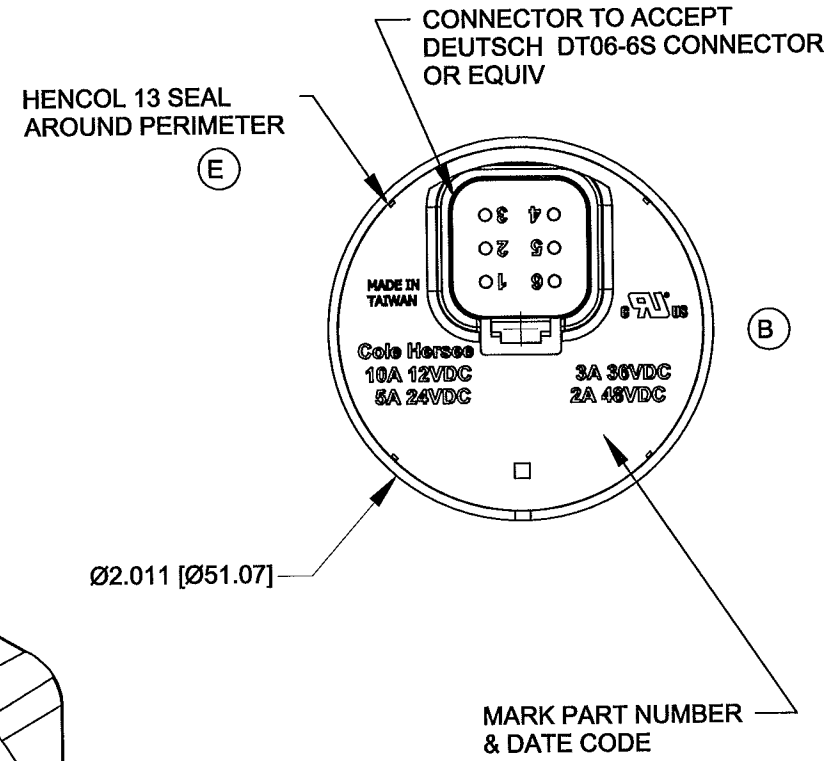
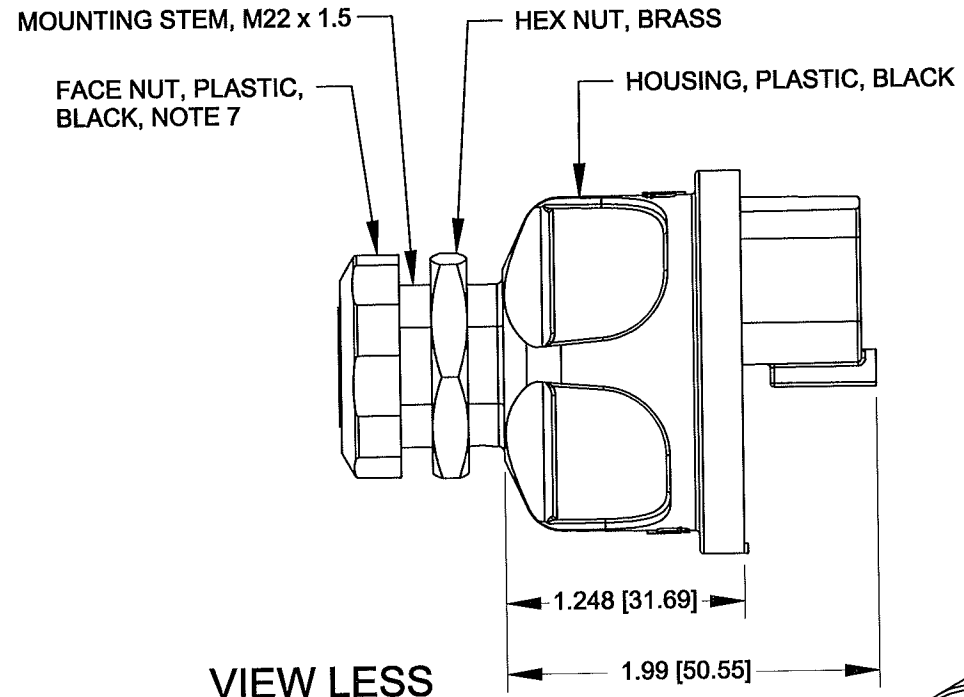
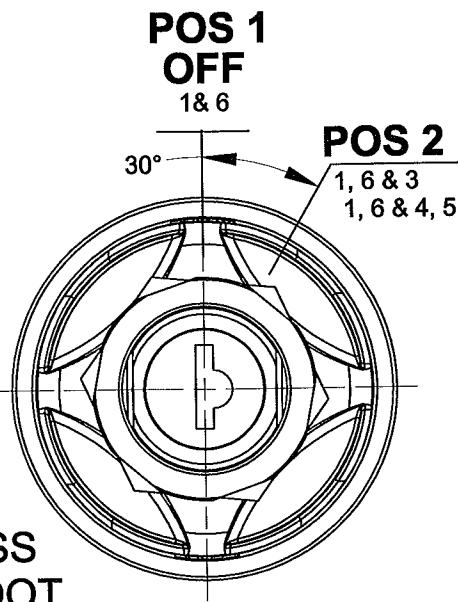
Responsible Engineer: **JT** **PAGE 1**
Created using Autocad Inventor

Cole Hersee Co.
 20 Old Colony Ave., South Boston, MA, 02127
 Phn: 617-268-2100 Web: www.colehersee.com

Description:
SW, ROT, 2POS, PLSTC

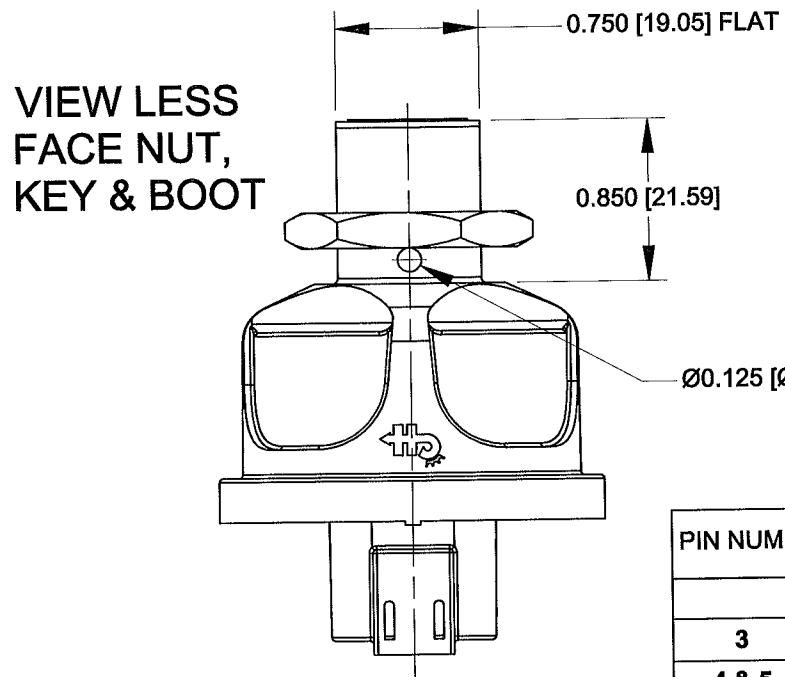
Drawing / Part No.: **95060-07** Current Rev.: **G**

4 3 2 1



VIEW LESS KEY & BOOT

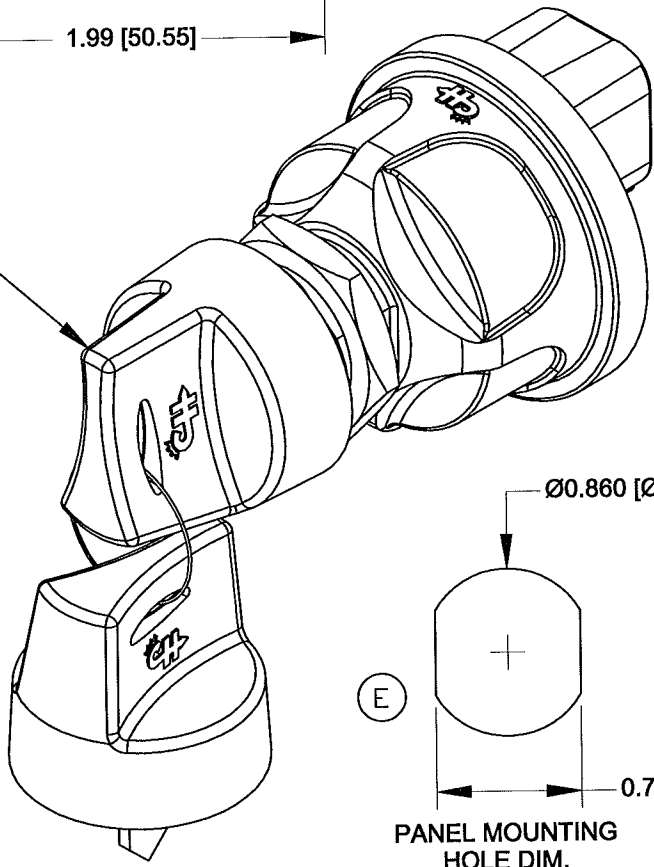
VIEW LESS KEY & BOOT



2 DOUBLE BITTED BOOTED KEYS RINGED, BLACK, SINGLE KEY CODE 601, NOTE 7, NOTE 9I

PIN NUMBER	CIRCUIT	12VDC RESISTIVE LOAD
		(E)
3	ACCESSORY	10 AMPS
4 & 5	IGNITION	10 AMPS
1 & 6	BATTERY	

PINS 1 & 6 CONNECTED TOGETHER INTERNALLY
PINS 4 & 5 CONNECTED TOGETHER INTERNALLY



PANEL MOUNTING HOLE DIM. 0.760 [19.30]

- NOTES:
1. TOLERANCES PLUS OR MINUS 0.015 [0.38]
 2. CONTACT AREA SEALED TO IP67
 3. BACK OF SWITCH SEALED WHEN MATING CONNECTOR IS INSTALLED
 4. FOR RESISTIVE LOAD RATING SEE CHART OR BACK OF SWITCH
 5. KEY REMOVEABLE IN OFF POSITION ONLY
 6. MATERIALS: HOUSING BLACK THERMOPLASTIC
INTERNAL STATIONARY CONTACTS COPPER
 7. KEY BOOT FITS OVER FACE NUT
 8. SWITCH TESTED TO SAE J259, UL RECOGNIZED TO UL 1054
 9. SWITCH SUPPLIED WITH SINGLE KEY CODE 601
 10. SWITCH SAME AS 95060-07 EXCEPT SINGLE KEY CODE
 11. IF THE APPLICATION MOUNTS THE SWITCH WITH THE LOCK CYLINDER OR LEVER APPROACHING VERTICAL, CONTACT THE FACTORY FOR AN APPLICATION REVIEW AND POTENTIAL ALTERNATE PRODUCTS BEFORE DESIGN IS SET.
 12. SW. MUST NOT BREAK CIRCUIT OR BE DAMAGED IF TORQUED TO 15 IN-LBS [1.69Nm]

Rev.	Description of Change	ECN No.	Date
E	ADDED HENCOL 13	13168	6/17/17

Rev.	Description of Change	ECN No.	Date
D	REACTIVATE	13081	3/20/13
C	ADDED MADE IN TAIWAN	11215	7/15/11
B	ADDED CHART & UL	10254	6/24/10
A	RELEASED DRAWING	07402	9/19/07

Tolerances Unless otherwise specifically noted, the following are default tolerances:
 * 2-place Decimal Dimensions +/- .02"
 * 3-place Decimal Dimensions +/- .005"
 * Angular Dimensions +/- 1.0 Deg.
 * Metric: Refer to equivalent English Dimension Tolerance
 >>> NOTE: All tolerances are Non-Cumulative. <<<

Dimensional Units All dimensions are expressed in inches except those shown in brackets (xxx) are expressed in millimeters

"REF." or an Asterisk (*) = Non-Toleranced Reference Dimension, shown for clarification purposes only.

Used On **95060-07** or Ref.:

PROPRIETARY INFORMATION This Engineering Drawing, and the information contained herein, is proprietary to Cole Hersee Company and may not be disclosed, re-produced, or in any other way transferred or communicated to any other party without the express written consent of an authorized representative of Cole Hersee Company.

DESIGN CONTROL It is the responsibility of the individual using / referencing this drawing to assure that the noted design revision level agrees with the revision level of the Controlled Document (Master Drawing). This is a NON-CONTROLLED DOCUMENT unless otherwise specifically noted.

DO NOT SCALE - Dimensional variation may occur during printing / reproduction.

Scale: **1:1**

Drawn By: **DPS** Date Drawn: **9/19/07**

Special Characteristics:

- Critical Characteristic, relating to Safety and/or Regulatory Compliance
- Significant Characteristic relating to Process Control (SPC)
- Control Dimension relating to Form - Fit - Function as defined by Cole Hersee Company and/or the Customer

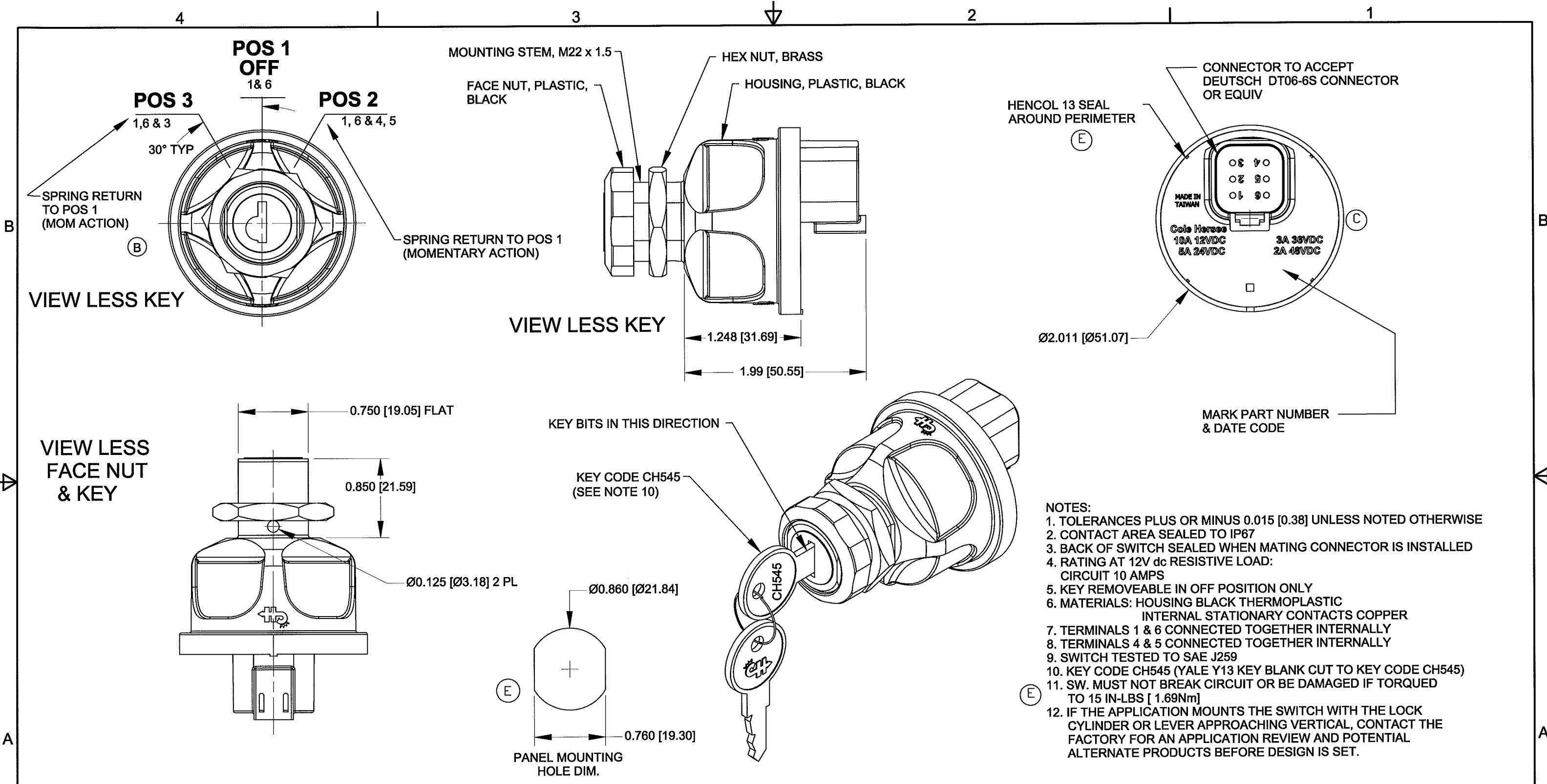
(Note that the identification of any Characteristics as being "Special" does not alter the requirement that ALL specified dimensions & tolerances must be met.)

Responsible Engineer: **JT** **PAGE 1** Created using Autocad Inventor

Cole Hersee Co.
 20 Old Colony Ave., South Boston, MA, 02127
 Phn: 617-268-2100 Web: www.colehersee.com

Description:
SW, ROT, 2POS, PLSTC

Drawing / Part No.: **95060-29** Current Rev.: **E**



- NOTES:**
1. TOLERANCES PLUS OR MINUS 0.015 [0.38] UNLESS NOTED OTHERWISE
 2. CONTACT AREA SEALED TO IP67
 3. BACK OF SWITCH SEALED WHEN MATING CONNECTOR IS INSTALLED
 4. RATING AT 12V dc RESISTIVE LOAD:
CIRCUIT 10 AMPS
 5. KEY REMOVEABLE IN OFF POSITION ONLY
 6. MATERIALS: HOUSING BLACK THERMOPLASTIC
INTERNAL STATIONARY CONTACTS COPPER
 7. TERMINALS 1 & 6 CONNECTED TOGETHER INTERNALLY
 8. TERMINALS 4 & 5 CONNECTED TOGETHER INTERNALLY
 9. SWITCH TESTED TO SAE J259
 10. KEY CODE CH545 (YALE Y13 KEY BLANK CUT TO KEY CODE CH545)
 11. SW. MUST NOT BREAK CIRCUIT OR BE DAMAGED IF TORQUED TO 15 IN-LBS [1.69Nm]
 12. IF THE APPLICATION MOUNTS THE SWITCH WITH THE LOCK CYLINDER OR LEVER APPROACHING VERTICAL, CONTACT THE FACTORY FOR AN APPLICATION REVIEW AND POTENTIAL ALTERNATE PRODUCTS BEFORE DESIGN IS SET.

Revision Control Record			
Rev.	Description of Change	ECN No.	Date
E	ADDED HENCOL 13; ADDED TORQUE NOTE	13166	6/17/13

Revision Control Record			
Rev.	Description of Change	ECN No.	Date
A	RELEASED DRAWING	09402	7/31/09
B	REVISED KEY SLOT	09516	10/22/09
C	DELETED UL SYMBOL	10258	6/28/10
D	ADDED MADE IN TAIWAN	11215	7/15/11

Tolerances Unless otherwise specifically noted, the following are default tolerances:
 • 2-place Decimal Dimensions +/- .02"
 • 3-place Decimal Dimensions +/- .005"
 • Angular Dimensions +/- 1.0 Deg.
 • Metric: Refer to equivalent English Dimension Tolerance
 >>> NOTE: All tolerances are Non-Cumulative. <<<

Dimensional Units All dimensions are expressed in inches except those shown in brackets (xxx) are expressed in millimeters

REF. or an Asterisk (*) = Non-Toleranced Reference Dimension, shown for clarification purposes only.

Used On or Ref.: EX28527

PROPRIETARY INFORMATION This Engineering Drawing, and the information contained herein, is proprietary to Cole Hersee Company and may not be disclosed, re-produced, or in any other way transferred or communicated to any other party without the express written consent of an authorized representative of Cole Hersee Company.

DESIGN CONTROL It is the responsibility of the Individual using / referencing this drawing to assure that the noted design revision level agrees with the revision level of the Controlled Document (Master Drawing). This is a NON-CONTROLLED DOCUMENT unless otherwise specifically noted.

DO NOT SCALE - Dimensional variation may occur during printing / reproduction.

Drawn By: JJC Date Drawn: 1/09/09

Special Characteristics:

- CC Critical Characteristic, relating to Safety and/or Regulatory Compliance
- X Significant Characteristic relating to Process Control (SPC)
- KC Control Dimension relating to Form - Fit - Function as defined by Cole Hersee Company and/or the Customer

(Note that the identification of any Characteristics as being "Special" does not alter the requirement that ALL specified dimensions & tolerances must be met.)

Responsible Engineer: JJC

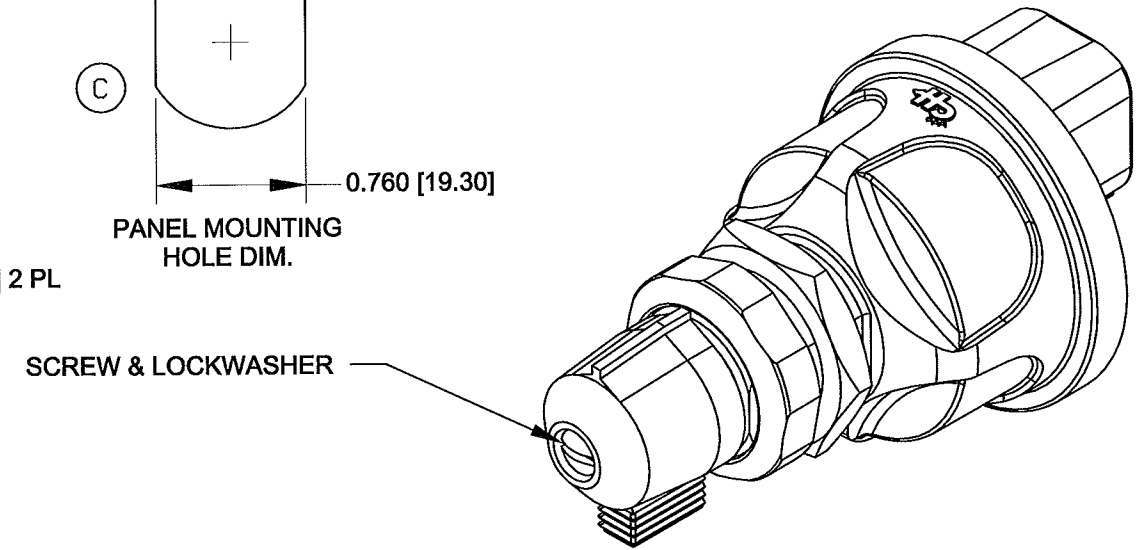
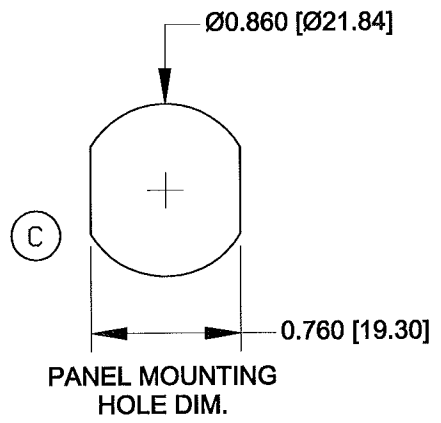
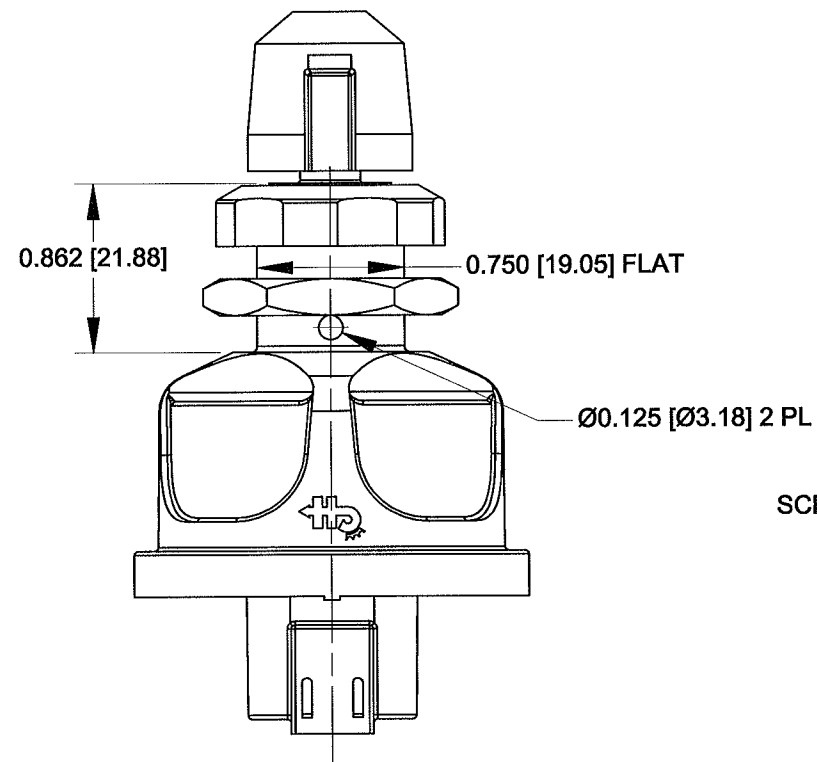
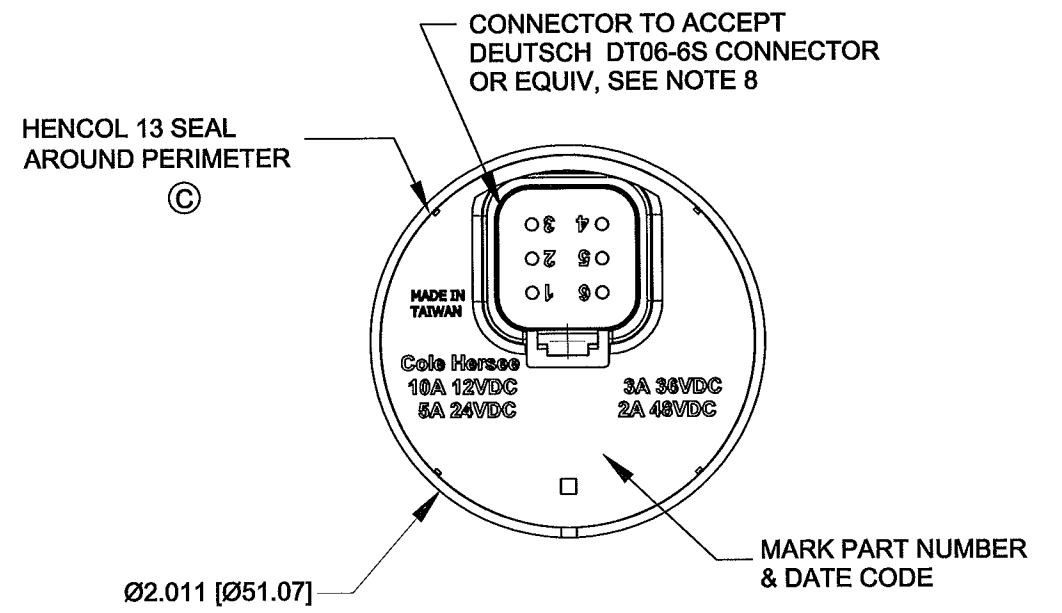
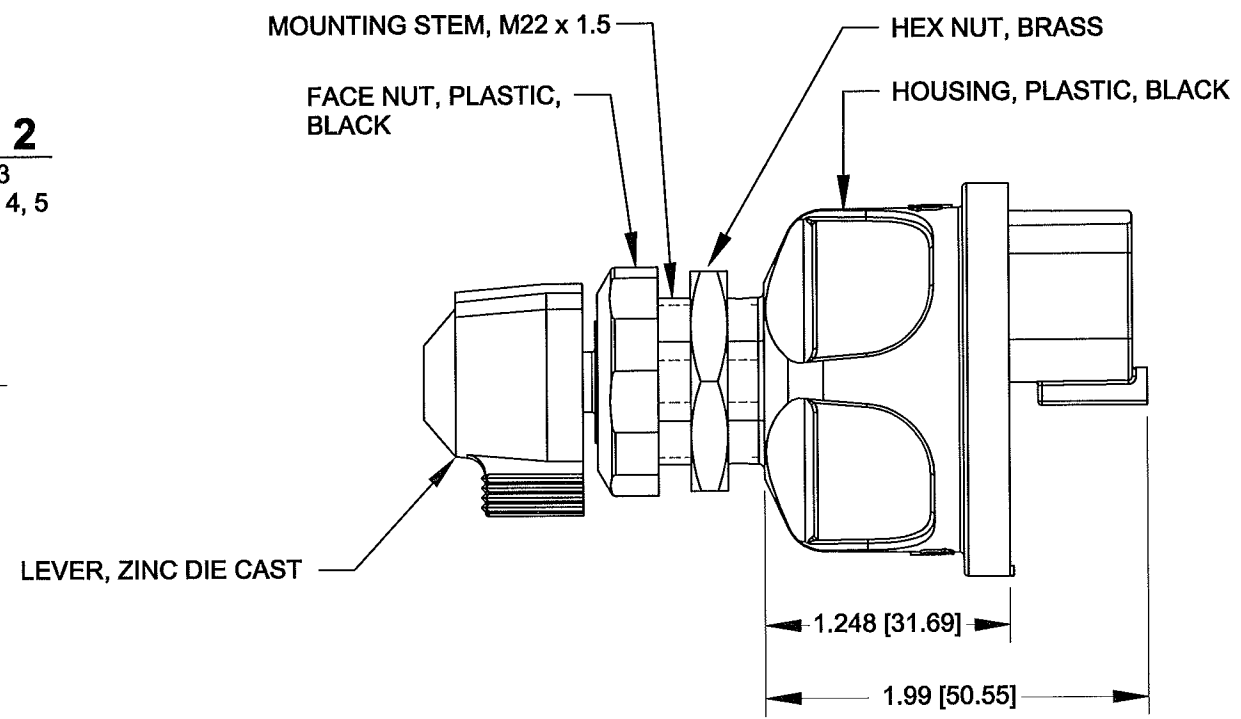
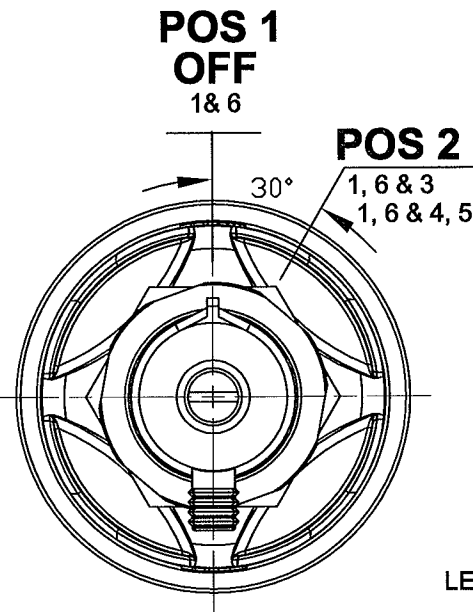
Cole Hersee Co.
 20 Old Colony Ave., South Boston, MA, 02127
 Pbn: 617-268-2100 Web: www.colehersee.com

Description:
SW, ROT, 3POS, PLSTC

Drawing / Part No.:
95060-36

Current Rev.:
E

Created using Autocad Inventor



- NOTES:
1. TOLERANCES PLUS OR MINUS 0.015 [0.38]
 2. CONTACT AREA SEALED TO IP67
 3. BACK OF SWITCH SEALED WHEN MATING CONNECTOR IS INSTALLED
 4. FOR RESISTIVE LOAD RATING SEE CHART OR BACK OF SWITCH
 5. FOR PIN LOCATIONS SEE CHART
 6. MATERIALS: HOUSING BLACK THERMOPLASTIC
INTERNAL STATIONARY CONTACTS COPPER
 7. SWITCH TESTED TO SAE J259.
 8. ALSO MATES WITH COLE HERSEE'S 31101 CONNECTOR ASSEMBLY
 9. IF THE APPLICATION MOUNTS THE SWITCH WITH THE LOCK CYLINDER OR LEVER APPROACHING VERTICAL, CONTACT THE FACTORY FOR AN APPLICATION REVIEW AND POTENTIAL ALTERNATE PRODUCTS BEFORE DESIGN IS SET.
 10. SW. MUST NOT BREAK CIRCUIT OR BE DAMAGED IF TORQUED TO 15 IN-LBS [1.69Nm]

PIN NUMBER	CIRCUIT	12VDC RESISTIVE LOAD
2	NOT USED	
3	ACCESSORY	10 AMPS
4 & 5	IGNITION	10 AMPS
1 & 6	BATTERY	

PINS 1 & 6 CONNECTED TOGETHER INTERNALLY
PINS 4 & 5 CONNECTED TOGETHER INTERNALLY

Revision Control Record				Rev.	Description of Change	ECN No.	Date
Rev.	Description of Change	ECN No.	Date				
A	RELEASED DRAWING	11179	5/31/11				
B	ADDED MADE IN TAIWAN	11215	7/15/11				
C	ADDED HENCOL 13	13181	6/17/13				

Tolerances Unless otherwise specifically noted, the following are default tolerances:
2-places +/- 0.02" **3-places +/- 0.005"** **Angular +/- 1'**
 Metric: Shown in [] refers to equivalent English Dim Tol
 "REF." or an Asterisk (*) = Non-Toleranced Reference Dimension, shown for clarification purposes only.
 NOTE: All tolerances are Non-Cumulative.

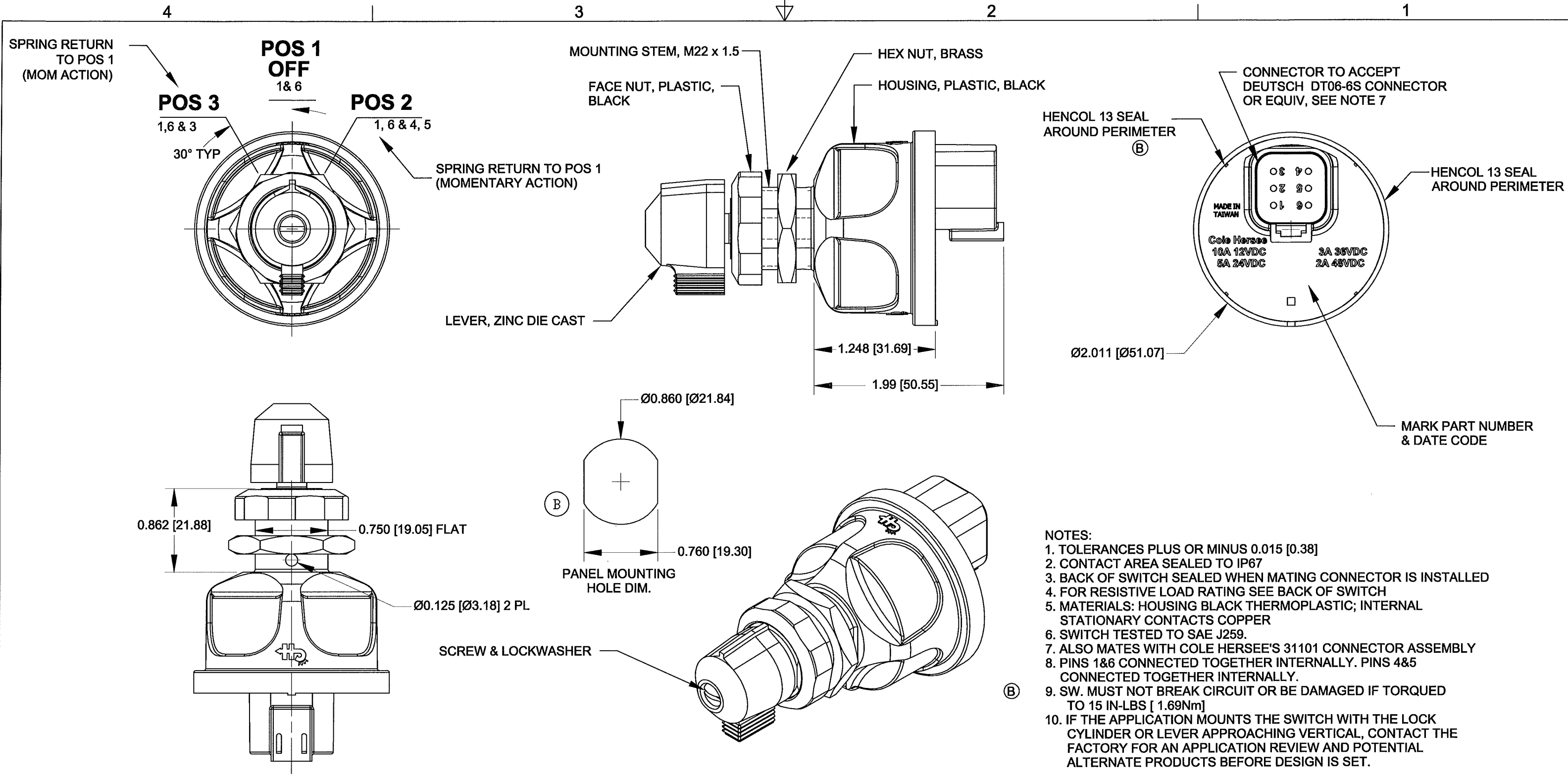
PROPRIETARY INFORMATION
 This Engineering Drawing, and the information contained herein, is proprietary to Cole Hersee Company and may not be disclosed, re-produced, or in any other way transferred or communicated to any other party without the express written consent of an authorized representative of Cole Hersee Company.

- Special Characteristics:**
- CC Critical Characteristic, relating to Safety and/or Regulatory Compliance
 - X Significant Characteristic relating to Process Control
 - KC Control Dimension relating to Form - Fit - Function as defined by Cole Hersee Company and/or the Customer

Cole Hersee Co.
 20 Old Colony Ave., South Boston, MA, 02127
 Phn: 617-268-2100 Web: www.colehersee.com

Description: **SW,ROT,IGN,PLSTC**

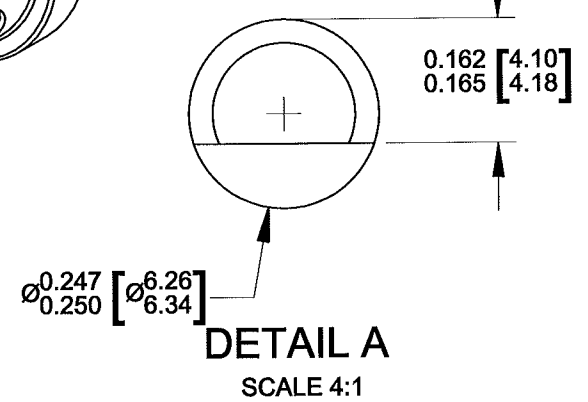
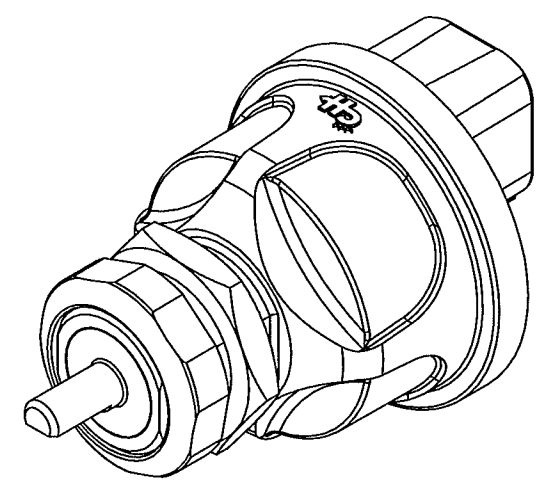
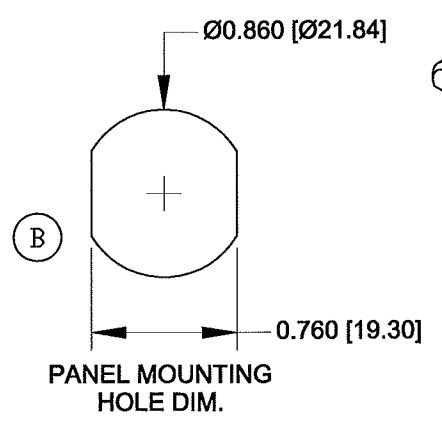
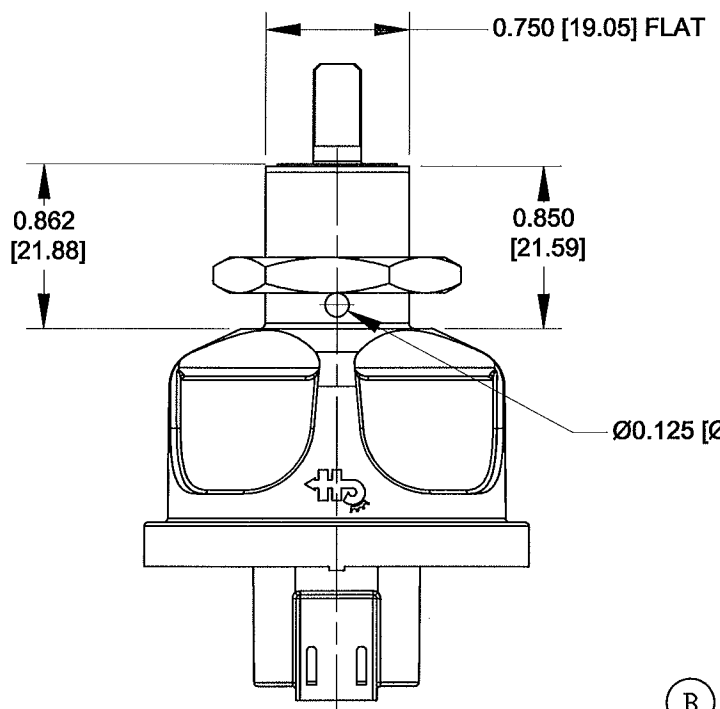
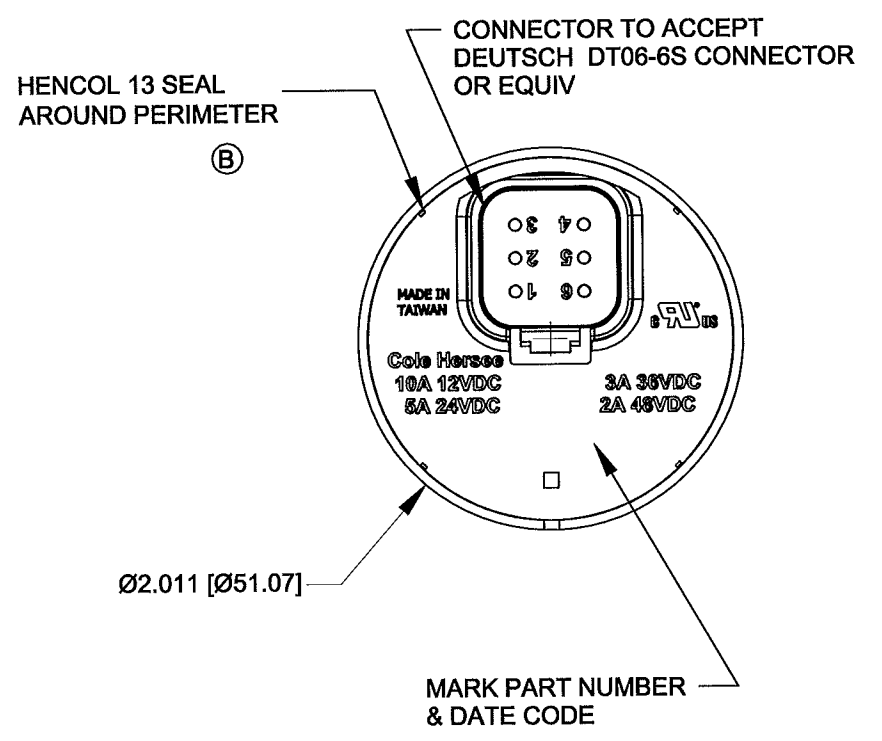
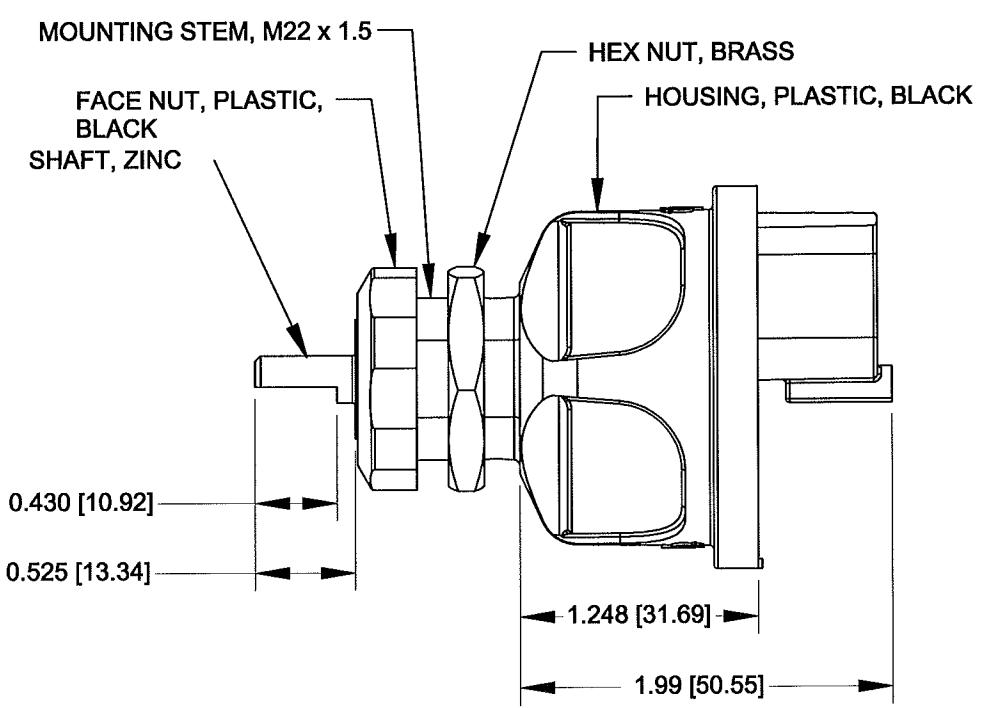
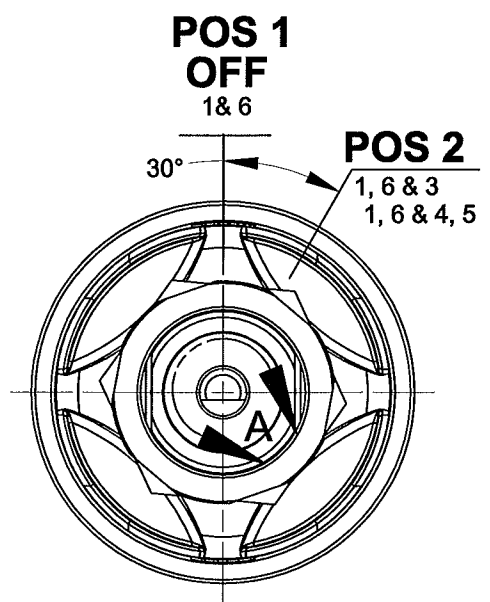
Drawing / Part No.: **95061-07** **Current Rev.:** **C**



- NOTES:**
1. TOLERANCES PLUS OR MINUS 0.015 [0.38]
 2. CONTACT AREA SEALED TO IP67
 3. BACK OF SWITCH SEALED WHEN MATING CONNECTOR IS INSTALLED
 4. FOR RESISTIVE LOAD RATING SEE BACK OF SWITCH
 5. MATERIALS: HOUSING BLACK THERMOPLASTIC; INTERNAL STATIONARY CONTACTS COPPER
 6. SWITCH TESTED TO SAE J259.
 7. ALSO MATES WITH COLE HERSEE'S 31101 CONNECTOR ASSEMBLY
 8. PINS 1&6 CONNECTED TOGETHER INTERNALLY. PINS 4&5 CONNECTED TOGETHER INTERNALLY.
 9. SW. MUST NOT BREAK CIRCUIT OR BE DAMAGED IF TORQUED TO 15 IN-LBS [1.69Nm]
 10. IF THE APPLICATION MOUNTS THE SWITCH WITH THE LOCK CYLINDER OR LEVER APPROACHING VERTICAL, CONTACT THE FACTORY FOR AN APPLICATION REVIEW AND POTENTIAL ALTERNATE PRODUCTS BEFORE DESIGN IS SET.

Revision Control Record				Rev.	Description of Change	ECN No.	Date	Tolerances Unless otherwise specifically noted, the following are default tolerances:			PROPRIETARY INFORMATION This Engineering Drawing, and the information contained herein, is proprietary to Cole Hersee Company and may not be disclosed, re-produced, or in any other way transferred or communicated to any other party without the express written consent of an authorized representative of Cole Hersee Company.	Special Characteristics:		Cole Hersee Co. 20 Old Colony Ave., South Boston, MA, 02127 Phn: 617-268-2100 Web: www.colehersee.com	
Rev.	Description of Change	ECN No.	Date					2-places +/- 0.02"	3-places +/- 0.005"	Angular +/- 1°		<input checked="" type="checkbox"/> Critical Characteristic, relating to Safety and/or Regulatory Compliance <input checked="" type="checkbox"/> Significant Characteristic relating to Process Control <input checked="" type="checkbox"/> Control Dimension relating to Form - Fit - Function as defined by Cole Hersee Company and/or the Customer	Description:		Current Rev.
A	RELEASE PART	12327	10/18/12										SW,ROT,IGN,PLSTC		
B	ADDED HENCOL 13; ADDED TORQUE NOTE	13181	06/28/13										95061-36	B	
								FORM CHT-6 (2/07)	Used On or Ref.: 95060	Scale: 1:1	Drawn BY: A.VISCO	Date Drawn: 10/28/12	Pg. 1 of 1		

4 3 2 1



- NOTES:
- TOLERANCES PLUS OR MINUS 0.015 [0.38]
 - CONTACT AREA SEALED TO IP67
 - BACK OF SWITCH SEALED WHEN MATING CONNECTOR IS INSTALLED
 - FOR RESISTIVE LOAD RATING SEE CHART OR BACK OF SWITCH
 - MATERIALS: HOUSING BLACK THERMOPLASTIC
INTERNAL STATIONARY CONTACTS COPPER
 - SWITCH TESTED TO SAE J259, UL RECOGNIZED TO UL 1054
 - IF THE APPLICATION MOUNTS THE SWITCH WITH THE LOCK CYLINDER OR LEVER APPROACHING VERTICAL, CONTACT THE FACTORY FOR AN APPLICATION REVIEW AND POTENTIAL ALTERNATE PRODUCTS BEFORE DESIGN IS SET.
 - SW. MUST NOT BREAK CIRCUIT OR BE DAMAGED IF TORQUED TO 15 IN-LBS [1.69Nm]

PIN NUMBER	CIRCUIT	12VDC RESISTIVE LOAD
2	START	5 AMPS
3	ACCESSORY	10 AMPS
4 & 5	IGNITION	10 AMPS
1 & 6	BATTERY	

PINS 1 & 6 CONNECTED TOGETHER INTERNALLY
PINS 4 & 5 CONNECTED TOGETHER INTERNALLY

Revision Control Record				Revision Control Record			
Rev.	Description of Change	ECN No.	Date	Rev.	Description of Change	ECN No.	Date
A	RELEASED TO PRODUCTION	12170	3/14/12				
B	ADDED HENCOL 13	13177	6/28/13				

Tolerances Unless otherwise specifically noted, the following are default tolerances:
 • 2-place Decimal Dimensions +/- .02"
 • 3-place Decimal Dimensions +/- .005"
 • Angular Dimensions +/- 1.0 Deg.
 • Metric: Refer to equivalent English Dimension Tolerance
 >>> NOTE: All tolerances are Non-Cumulative. <<<

Dimensional Units All dimensions are expressed in inches except those shown in brackets (xxx) are expressed in millimeters

REF. or an Asterisk () = Non-Toleranced Reference Dimension, shown for clarification purposes only.

PROPRIETARY INFORMATION This Engineering Drawing, and the information contained herein, is proprietary to Cole Hersee Company and may not be disclosed, re-produced, or in any other way transferred or communicated to any other party without the express written consent of an authorized representative of Cole Hersee Company.

DESIGN CONTROL It is the responsibility of the individual using / referencing this drawing to assure that the noted design revision level agrees with the revision level of the Controlled Document (Master Drawing). This is a NON-CONTROLLED DOCUMENT unless otherwise specifically noted.

DO NOT SCALE - Dimensional variation may occur during printing / reproduction.

Special Characteristics:

- Critical Characteristic, relating to Safety and/or Regulatory Compliance
- Significant Characteristic relating to Process Control (SPC)
- Control Dimension relating to Form - Fit - Function as defined by Cole Hersee Company and/or the Customer

(Note that the identification of any Characteristics as being "Special" does not alter the requirement that ALL specified dimensions & tolerances must be met.)

Cole Hersee Co.
 20 Old Colony Ave., South Boston, MA, 02127
 Phn: 617-268-2100 Web: www.colehersee.com

Description:
SW, ROT, 2POS, PLSTC

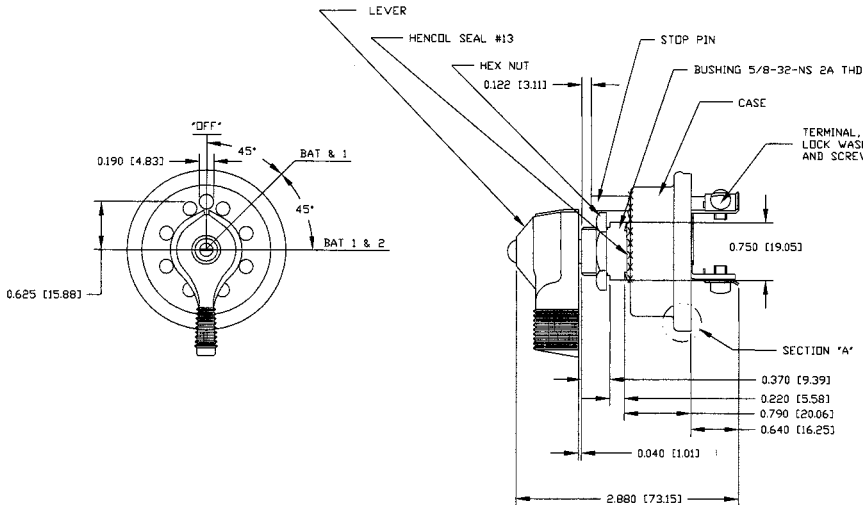
Drawing / Part No.: 95062-07

Current Rev.: B

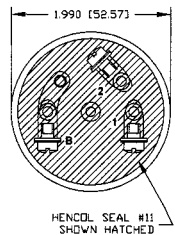
GASKET-NEOPRENE OR EQUIVALENT



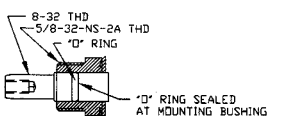
SCALE 2:1
VIEW OF SECTION "A"



Revision Control Record			
Rev.	Description of Change	ECH No.	Date
N	ADDED HENCOL SEAL	01421	7/19/01



- NOTES:
1. SOLDER LAMINATED SHOULDER RIVETS & SOLID SILVER RIVETS (3 REQ'D) ON INTERNAL CONTACT PLATE
 2. MELAMINE LINER
 3. SWITCH HAS 20 AMP CAPACITY



Tolerances: Unless otherwise specifically noted, the following apply:
 * 2-place Decimal Dimension: $\pm .02$
 * 3-place Decimal Dimension: $\pm .002$
 * Angular Dimension: ± 1.0 Deg.
 * Holes: Refer to applicable English Dimensional Tolerances
 * ** MFR: All tolerances are Non-Compliance.

Dimensional Note: All dimensions are expressed in inches unless otherwise specified in brackets (inch are expressed in millimeters).

MFR: or as specified in a Non-Toleranced Dimensional Specification, when for identification purposes only.

PROPRIETARY INFORMATION: This Engineering Drawing, and the information contained herein, is proprietary to Cole Hersee Company and may not be disclosed, reproduced, or in any other way transmitted or communicated to any other party without the express written consent of an authorized representative of Cole Hersee Company.

DESIGN CONTROL: It is the responsibility of the individual using this drawing to ensure that the design details remain valid against the revision level of the Original Document (Master Drawing). This is a work-IN-PROCESS document unless otherwise specifically noted.

DO NOT SCALE: Dimensional variation may occur during printing/ reproduction.

For Detailed Characteristics:

- ⊕ Critical Characteristics relating to Safety and/or Regulatory Compliance
- ⊕ Significant Characteristics relating to Process Control (IPC)
- ⊕ Control Characteristics relating to Form - Fit - Function as defined by Cole Hersee Company and/or the Customer

(Note that the identification of any Characteristics as being "Special" does not alter the requirement that ALL specified dimensions & tolerances must be met.)

Cole Hersee Co.
 20 Old Colony Ave., South Boston, MA, 02127
 P.O. Box 517-368-2100 Web: www.colehersee.com

Description: 3 POSITION ROTARY SWITCH