

DCNSEV30 SERIES HIGH CURRENT HIGH VOLTAGE DC CONTACTOR RELAY



Description

High current and high voltage DC contactor relays for electric vehicle applications such as battery power supply, charging pill, motor control, circuit insulation, circuit protection, and also safety devices for industrial machinery. Are available with polarized and non-polarized contacts to best suit electrical systems' polarity.

Specifications Overview

Amperage:	30A Continuous Carry
Housing:	Nylon UL 94-V0
Voltage Rating:	12-900V
Output Connectors:	M5 Bolt and Lockwasher Connections (not supplied)
Connectors:	Wire Leads for Control Circuit
Ingress Protections:	IP67
Operating Temperature:	-40 to 85°C
Circuitry:	SPST NO
Voltage:	B: 12V DC Nominal, 8 - 16V DC Working C: 24V DC Nominal, 18 - 28V DC Working
Max Coil Inrush Current:	B: 500mA Max to coil C: 250mA Max to coil
Mounting:	M4 with Compression Limiters (not supplied)
Size:	54mm x 40mm x 45mm
Mounting Bolt Torque:	2.3 Nm (20 in-lb)
Contact Torque:	3.4 - 4.5 Nm (30 - 40 in-lb)
Terminals:	M5 Silver Plated Copper
Approvals:	UL File No. E510407

Ordering Information

PART NUMBER	DESCRIPTION	COIL VOLTAGE 12V DC	COIL VOLTAGE 24V DC	BOTTOM MOUNT
DCNSEV30-B	High Voltage DC Contactor Relay Bottom Mount with Polar Load Terminals	●		●
DCNSEV30-C	High Voltage DC Contactor Relay Bottom Mount with Polar Load Terminals		●	●

* Box Packaging Available

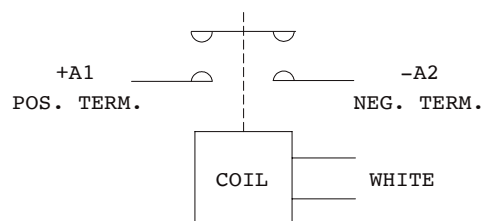
Applications

- Battery Electric Vehicles
- Hybrid Electric Vehicles
- Material Handling
- Electric Maintenance and Transport Vehicles
- Industrial Applications

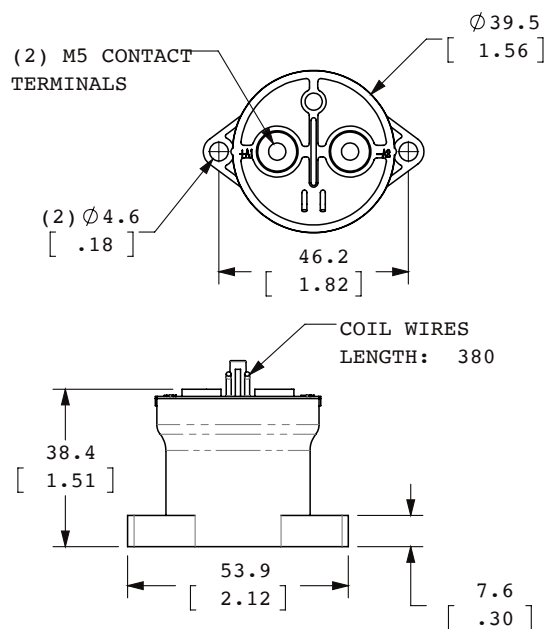
Features and Benefits

- High current (30A) and high voltage (900V) contactor for EV applications
- Compact structure, helping reduce noise when turned on
- Sealed IP67, gas-filled relay which mitigates arcing
- No mounting orientation restrictions

Electrical Diagram



Dimensions in MM



Web Resources

Download 2D print and technical resources at:
littelfuse.com/DCNSEV30