

05930000 RELAYS

Control unit for the starter relay and power supply



05930000

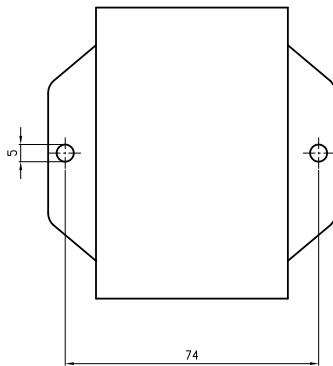
interchangeable
with IVECO 99466352

Description

Commands a remote control battery main switch/battery isolator which connects the cable of the starter unit to the battery only for the time necessary to start up the vehicle. This avoids tension in the starter cable in the rear part of the vehicle during engine running, and contributes to safety.

Features and Benefits

- This control unit contributes to safety in the vehicles during the engine running.



Specifications Overview

Voltage: 24V

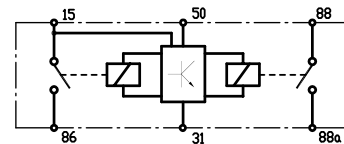
Applications

- On city bus.

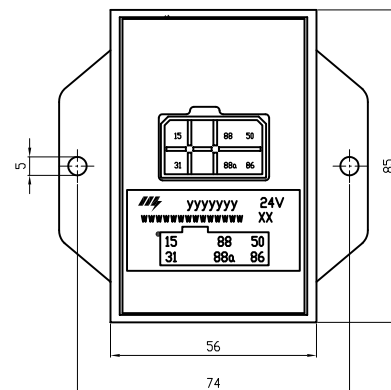
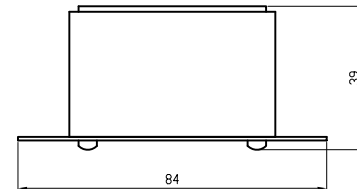
Web Resources

Download technical resources at:
littelfuse.com/relays

Electrical Diagram



Dimension in millimeters



Ordering Information

PART NUMBER	VOLTAGE	MAX CURRENT ON STARTER RELAYS	CONTROL UNIT ABSORPTION
05930000	24V	2A	200 mA

Accessories

05930000 Component male connector complete with terminals