



CERTIFICATE

FOR EUROPEAN PRODUCT SAFETY

Reference No. SE-S-2101268

Miniature fuse-link

Type designation: 0215*

Certificate holder: Littelfuse Inc.
O'Hare Plaza II Ste 500, 8755 W. Higgins Rd.
Chicago IL 60631
United States of America

The product complies with the standard(s): EN 60127-2:2014
EN 60127-7:2016

Date of expiry: 30 September, 2026

EU Directive information: According to the principle of presumption of conformity, this certificate constitutes support for an EC Declaration of Conformity and CE marking according to the Low Voltage Directive 2014/35/EU.

Additional information in Appendix

Certification Body: Intertek Semko AB, Product Certification **Place:** Kista - Stockholm


Signed:  **Date:** 17 September, 2021

Henrik Wiström

APPENDIX:

Reference No. SE-S-2101268

Technical Data:

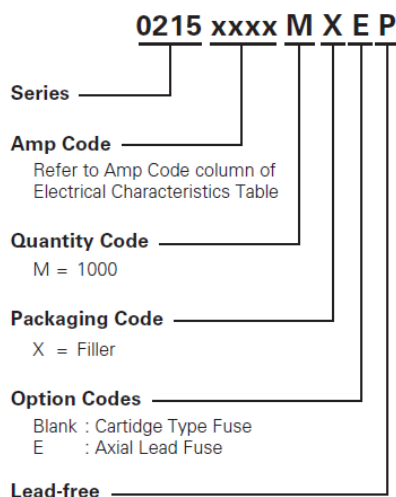
Type designation	0215*
Rated voltage (V)	250V AC
Rated current (A)	125mA; 160mA; 200mA; 250mA; 315mA; 400mA; 500mA; 630mA; 800mA; 1A; 1,25A; 1,6A; 2,0A; 2,5A; 3,15A; 4A; 5A; 6,3A; 8A; 10A; 12A; 15A; 16A; 20A
Standard sheet	5
Trademark	
Test Report	2102440STO-001
Product information	Time-lag, high-breaking capacity. Size 5 x 20 mm. With or without wire terminations 125m A to 12A. 12A, 15A, 16A and 20A tested for IEC 60127-7. Breaking capacity for 15A, 16A and 20A: 500A; power factor ≥ 0,95 (15 and 16A) 400A; power factor ≥ 0,95 (20A) Without wire terminations: 15A, 16A and 20A.

0215* includes of type ref. nos.

0215.125; 0215.160; 0215.200; 0215.250; 0215.315; 0215.400; 0215.500; 0215.630; 0215.800; 0215001.;
02151.25; 021501.6; 0215002.; 021502.5; 02153.15; 0215004.; 0215005.; 021506.3; 0215008.; 0215010.;
0215012.; 0215015-P; 0215016-P; 0215020-P.

Explanation of the part numbering system:

Part Numbering System



APPENDIX:

Reference No. SE-S-2101268

Manufacturing Sites: Suzhou Littelfuse OVS Ltd.
6 Xinghai Street
Suzhou Industrial Park, Suzhou City
Jiangsu Province 215021
China

According to the principle of presumption of conformity, this certificate, which includes production control, constitutes support for an EC Declaration of Conformity and CE marking according to the Low Voltage Directive 2014/35/EU.

This presumption can expire before end of validity of this certificate due to new issued Standard or Amendment and changes within the EU legislation.

This certificate replaces previously issued ref. No. 1517218 dated 25 August 2016 for 0215*. A new certificate has been issued on account of renewal of S mark.

Certification Body: Intertek Semko AB, Product Certification **Place:** Kista - Stockholm

Signed:  **Date:** 17 September, 2021

Henrik Wikström

Intertek