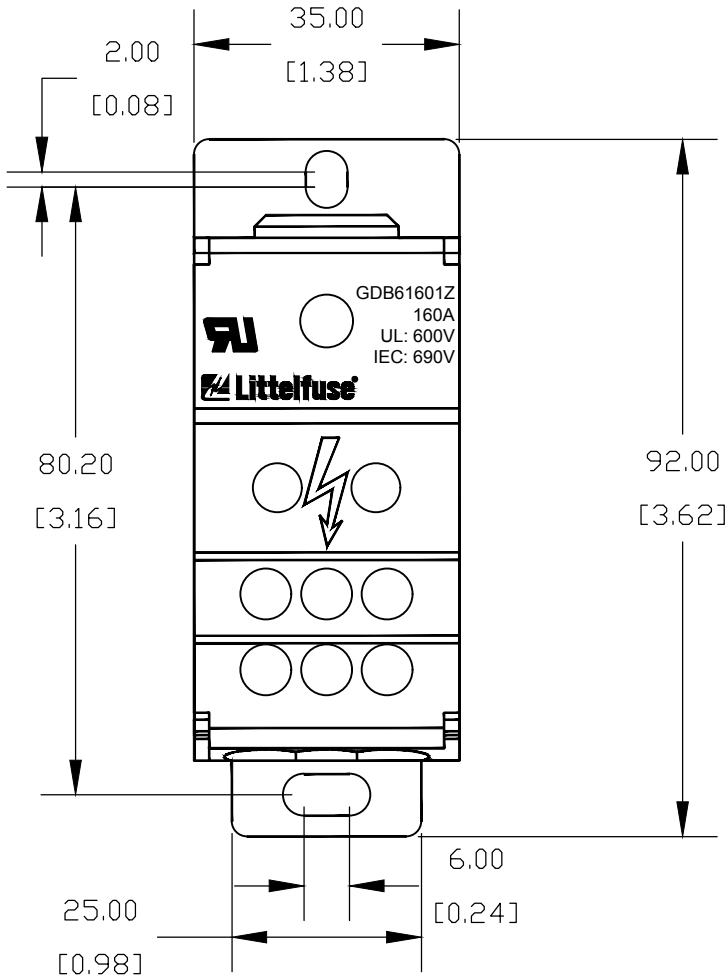
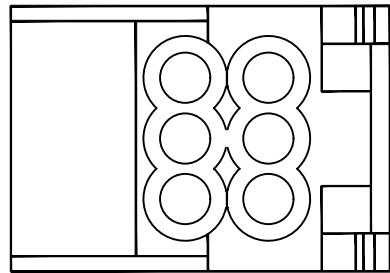
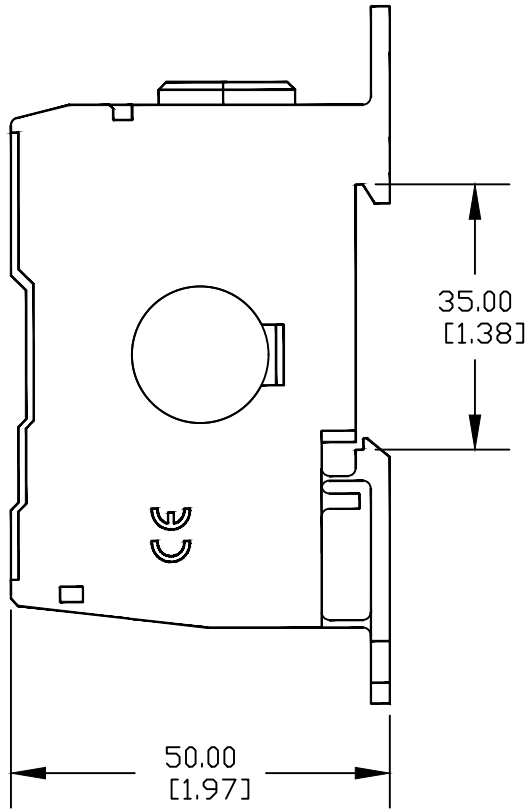
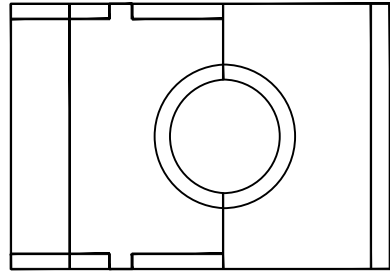


PART NO.
GDB61601Z



- NOTES:
1. AGENCY INFORMATION:
UL FILE NO. E309688
 2. MATERIALS:
INSULATOR-THERMOPLASTIC
CONNECTOR-BRASS
 3. TERMINATION:
LINE: 8AWG-2/0
LOAD: 4-14 AWG
 4. RATINGS:
600V
MAXIMUM AMP PER POLE-160A
 5. TORQUE:
LINE: 35.5 IN-LB
LOAD: 17.5 IN-LB

UNLESS OTHERWISE SPECIFIED, DIMENSIONS DO NOT INCLUDE PLATING.

● DENOTES CRITICAL CHARACTERISTICS.

CPK DENOTES CPK DIMENSIONS,-MINIMUM CPK VALUE

ST DENOTES A CHARACTERISTIC THAT PROVIDES AN INDICATION OF PROCESS PERFORMANCE. PROCEDURE FOR MEASUREMENT AND TRACKING TO BE DEFINED IN LITTELFUSE INSPECTION INSTRUCTIONS.

CP DENOTES CP DIMENSIONS,-MINIMUM CP VALUE MUST BE WITHIN THE DIMENSIONAL LIMITATIONS SHOWN ON DRAWING AND INITIALLY LOCATED TO ALLOW FOR MAXIMUM TOOL LIFE.

NO	COMPONENT NO	DESCRIPTION	QTY/M	U/M

BILL OF MATERIAL

COPIES TO	MTRL SPEC	FINISH	NONE	SCALE		SUPER DRW		RAW STK WT	LBS/M
				DATE	4/9/18	DATE	DATE		
1	9 18	DRW	M	YORK	DATE	4/9/18	SCALE		
2	10 19	CHK			DATE		SUPER DRW		
3	12 20	APPD			DATE		RAW STK WT		
4	13 21								
5	14 23								
6	15 33								
7	16 43								
8	17 53								

LTR	REVISION	CHK	APD
A	519180GCP - RELEASE 4/17/18 MRY		

TITLE
GDB6160 SERIES DISTRIBUTION BLOCK OUTLINE



REVISION A
DRAWG NO. DL-GDB6160