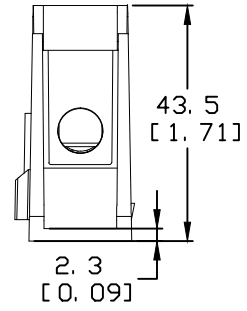
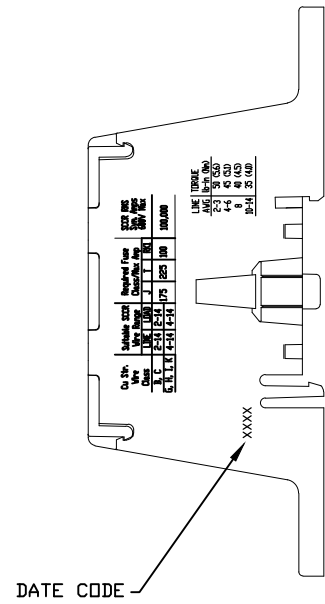
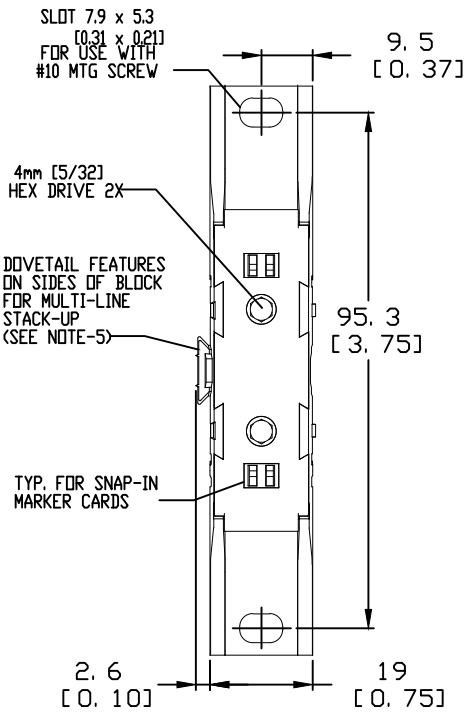
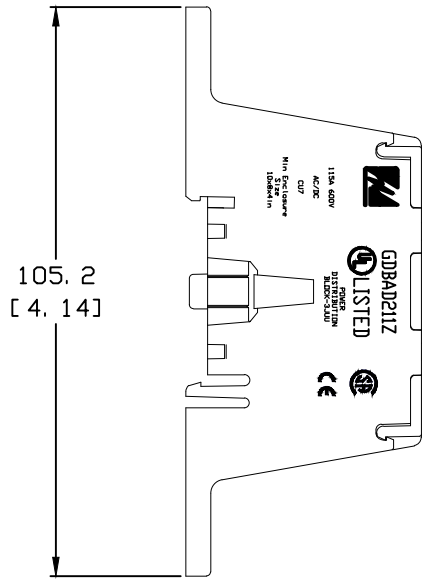


PART NUMBER

GDBAD211Z



		REVISION	
REV	DATE		DESCRIPTION
A	4/22/16	515747GCP	- RELEASE PER EM2806 MRY
B	1/30/17	516960ECP/D	- UPDATE SIDE PRINTING MRY

NOTES:

- AGENCY INFORMATION:  
UL FILE NO. E482231  
CSA FILE NO. 700111
  - MATERIALS:  
INSULATOR-HIGH IMPACT THERMOPLASTIC,  
TEMP RATING 125°C (257°F)  
CONNECTOR-ALUMINUM
  - TERMINATION:  
LINE: 2-14 AWG  
LOAD: 2-14 AWG  
WIRE COMBINATIONS PER UL FILE
  - RATINGS:  
600V  
MAXIMUM AMP PER POLE-115A  
BASED ON NEC WIRE RATING CODE, 75°C WIRE  
  
PROVIDES SPACINGS FOR USE IN FEEDER CIRCUITS AT 251-600V PER UL508A
  - FOR DIMENSIONS OF MULTILINE STACK-UPS, ADD 19.05 [ 0.75] TO OVERALL WIDTH, CENTERLINE SPACING OF 19.05 [ 0.75] POLE TO POLE.
  - TORQUE:  
LINE/LOAD: 2-3 AWG 50 IN-LB  
4-6 AWG 45 IN-LB  
8 AWG 40 IN-LB  
10-14 AWG 35 IN-LB
- TOLERANCE (UNLESS OTHERWISE SPECIFIED):  
1 PLACE ± 2.5mm [ 0.1]  
2 PLACE ± 0.76mm [ 0.03]  
3 PLACE ± 0.381mm [ 0.015]

●	DENOTES CRITICAL CHARACTERISTICS.		
CPK	DENOTES CPK DIMENSIONS, -MINIMUM CPK VALUE		
ST	DENOTES A CHARACTERISTIC THAT PROVIDES AN INDICATION OF PROCESS PERFORMANCE. PROCEDURE FOR MEASUREMENT AND TRACKING TO BE DEFINED IN LITTELFUSE INSPECTION INSTRUCTIONS.		
CP	DENOTES CP DIMENSIONS, -MINIMUM CP VALUE MUST BE WITHIN THE DIMENSIONAL LIMITATIONS SHOWN ON DRAWING AND INITIALLY LOCATED TO ALLOW FOR MAXIMUM TOOL LIFE.		
MATL SPEC		FINISH	
DRW myork	DATE 1/21/2016	SCALE NTS	FINISH GOOD WT GRAMS/PIECE
UNLESS OTHERWISE SPECIFIED, DIMENSIONS ARE IN MILLIMETERS, DIMENSIONS IN BRACKETS [ ] ARE INCHES DIMENSIONING AND DO NOT INCLUDE PLATING. TOLERANCING TO BE INTERPRETED IN ACCORDANCE WITH ANSI Y14.5M-1994			
3RD ANGLE PROJECTION			
TITLE 600V DISTRIBUTION BLOCK 115A OUTLINE			
Littelfuse® CHICAGO, ILLINOIS 60631		REVISION B	DRWG NO. OL-GDBAD21 SHEET 1 OF 1