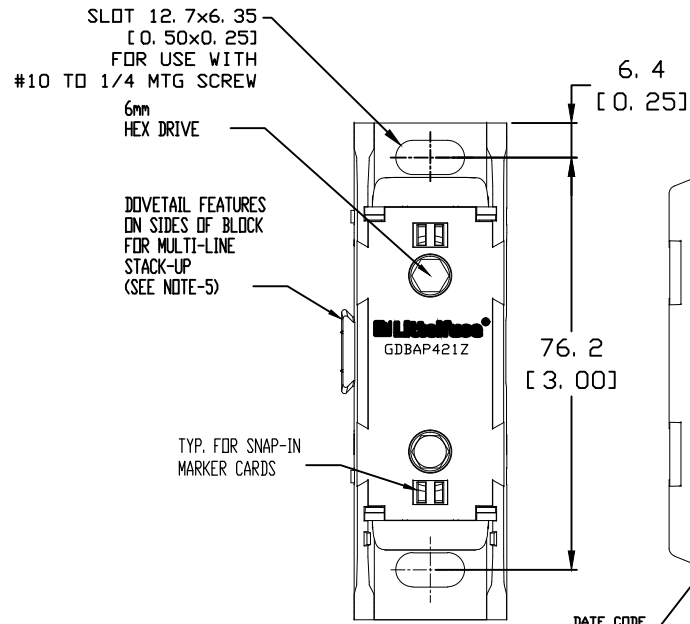
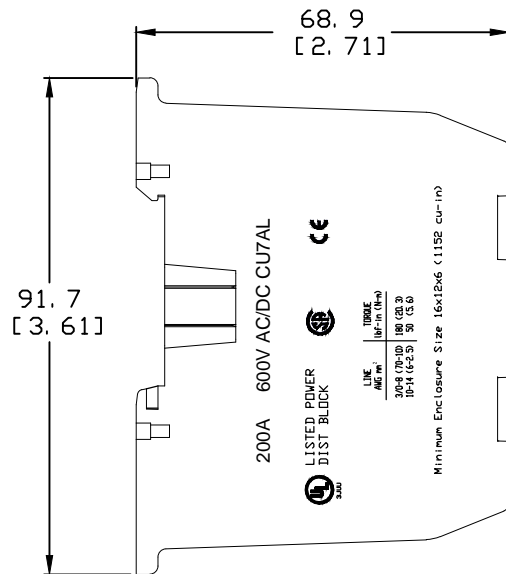


PART NUMBER

GDBAP421Z

REVISION

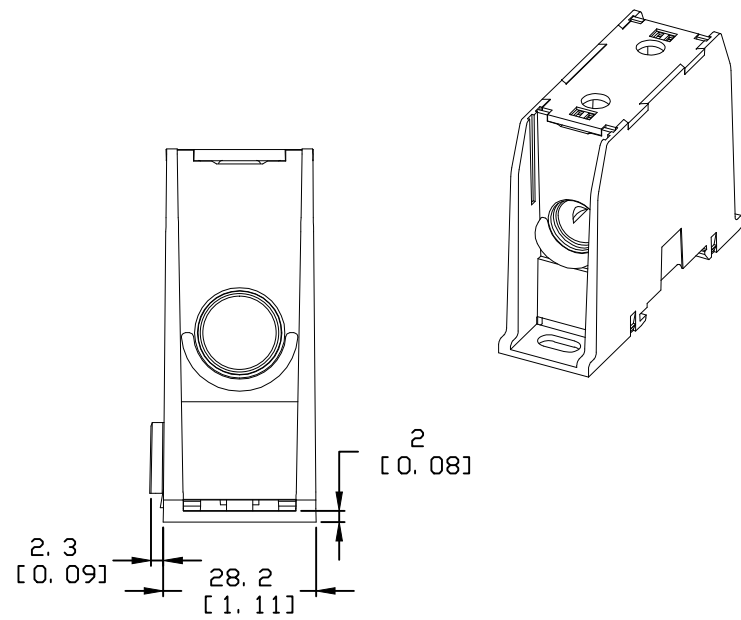
REV	DATE	DESCRIPTION
A	4/22/16	515747GCP - RELEASE PER EM2806 MRY
B	1/30/17	516960ECP/D - UPDATE SIDE PRINTING MRY



Wire Type (Class)	Suitable Wire (KV/AVG)	Diver-Current Protection Class / Max Amp Rating	SCCR Rtg 600V Max
B-C	3/0-8/3/0-4B25	225 200 100	60 60 30
G,H,I	2/0-8/2/0-4B30	300 200 100	60 60 30

Default ratings for wire ranges not shown - 10K SCCR

- NOTES:
- AGENCY INFORMATION:
UL FILE NO. E482231
CSA FILE NO. 700111
 - MATERIALS:
INSULATOR-HIGH IMPACT THERMOPLASTIC, TEMP RATING 125°C (257°F)
CONNECTOR-ALUMINUM - TIN PLATED
 - TERMINATION:
LINE: 3/0-14 AWG
LOAD: 3/0-14 AWG
WIRE COMBINATIONS PER UL FILE
 - RATINGS:
600V
MAXIMUM AMP PER POLE-200A
BASED ON NEC WIRE RATING CODE, 75°C WIRE
PROVIDES SPACINGS FOR USE IN FEEDER CIRCUITS AT 251-600V PER UL508A
 - FOR DIMENSIONS OF MULTILINE STACK-UPS, ADD 28.2 [1.11] TO OVERALL WIDTH, CENTERLINE SPACING OF 28.2 [1.11] POLE TO POLE.
 - TORQUE:
LINE: 3/0-8 AWG 180 IN-LB
10-14 AWG 50 IN-LB
LOAD: 3/0-8 AWG 180 IN-LB
10-14 AWG 50 IN-LB
- TOLERANCE (UNLESS OTHERWISE SPECIFIED):
1 PLACE ± 2.5mm [0.1]
2 PLACE ± 0.76mm [0.03]
3 PLACE ± 0.381mm [0.015]



●	DENOTES CRITICAL CHARACTERISTICS.		
CPK	DENOTES CPK DIMENSIONS, -MINIMUM CPK VALUE		
ST	DENOTES A CHARACTERISTIC THAT PROVIDES AN INDICATION OF PROCESS PERFORMANCE. PROCEDURE FOR MEASUREMENT AND TRACKING TO BE DEFINED IN LITTELFUSE INSPECTION INSTRUCTIONS.		
CP	DENOTES CP DIMENSIONS, -MINIMUM CP VALUE MUST BE WITHIN THE DIMENSIONAL LIMITATIONS SHOWN ON DRAWING AND INITIALLY LOCATED TO ALLOW FOR MAXIMUM TOOL LIFE.		
MATL SPEC		FINISH	
DRW myork	DATE 2/3/2016	SCALE NTS	FINISH GOOD WT GRAMS/PIECE
UNLESS OTHERWISE SPECIFIED, DIMENSIONS ARE IN MILLIMETERS, DIMENSIONS IN BRACKETS [] ARE INCHES DIMENSIONING AND DO NOT INCLUDE PLATING. TOLERANCING TO BE INTERPRETED IN ACCORDANCE WITH ANSI Y14.5M-1994			
3RD ANGLE PROJECTION			
TITLE 600V DISTRIBUTION BLOCK 200A OUTLINE			
Littelfuse® CHICAGO, ILLINOIS 60631		REVISION B	DRWG NO. OL-GDBAP42 SHEET 1 OF 1