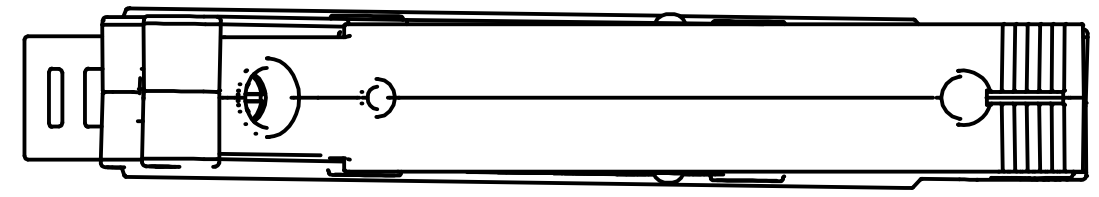
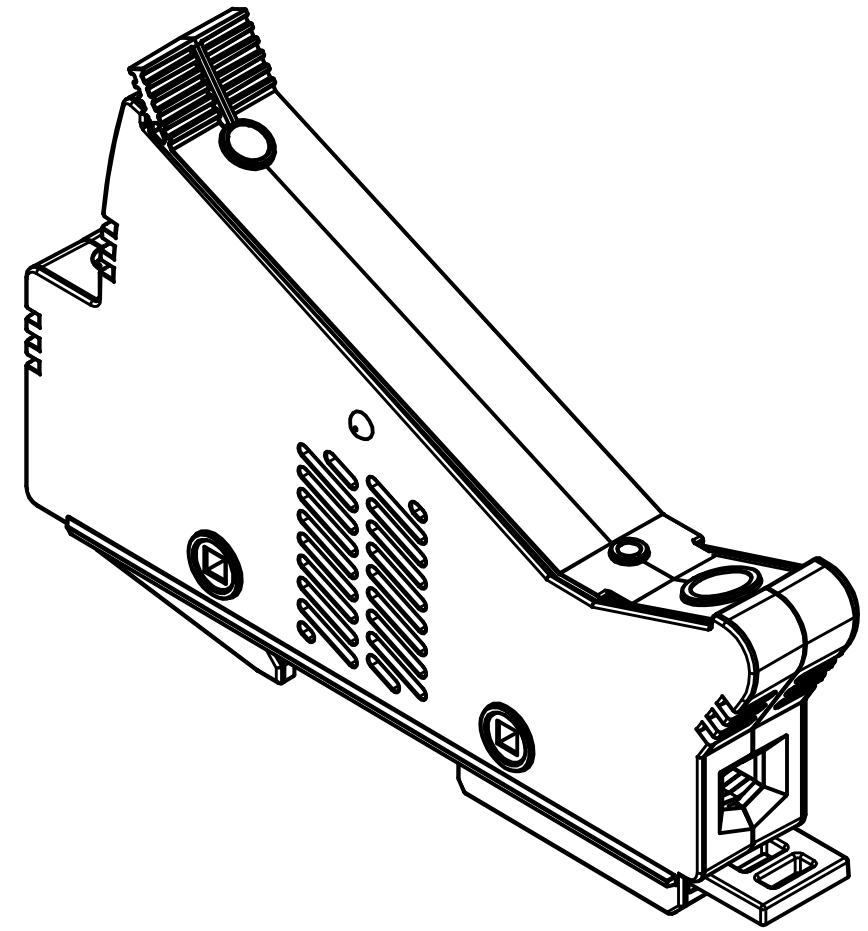


REVISION		
REV	DATE	DESCRIPTION
A	10/13/16	516517GCP - RELEASE MRY
B	6/6/17	517493ECP/D - ADD WIRE TYPE TO SPECS, ADD BUS BAR SPECS, REMOVE DATA SHEET REVISION MRY



**SPECIFICATIONS:**

**VOLTAGE RATING:** 1500VDC

**AMPERE RATING:** 30A

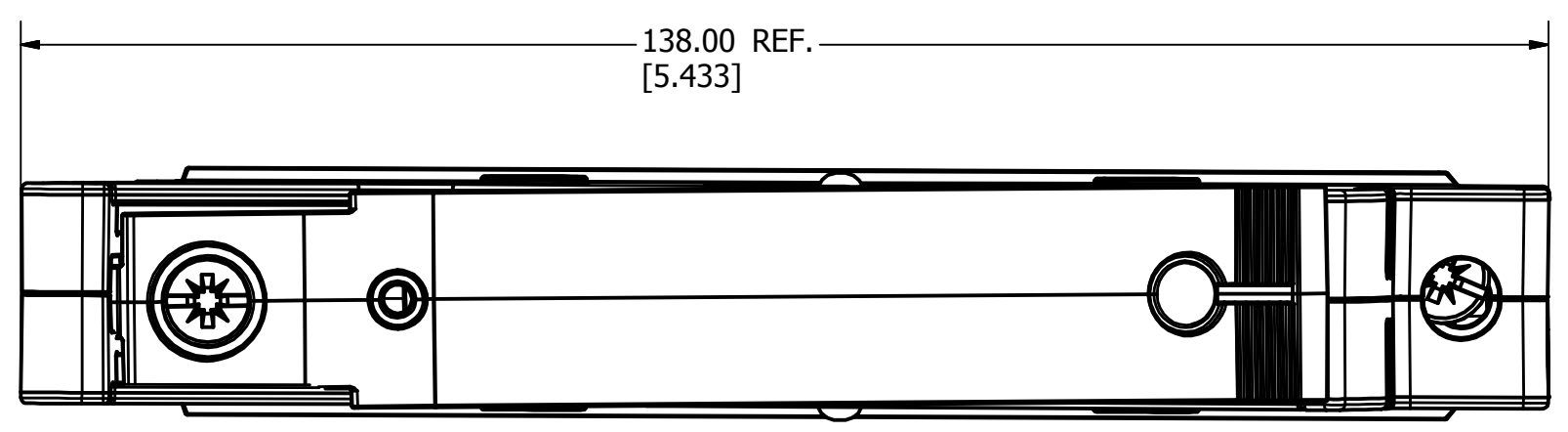
**INTERRUPT RATING:** 50kA

**WIRE TYPE:** 75°C or 90°C CU ONLY STRANDED  
 UL CLASS B & CLASS C WIRE  
 ALPHAWIRE PV SERIES PHOTOVOLTAIC WIRE  
 IEC CLASS 5 FLEXIBLE WIRE

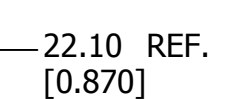
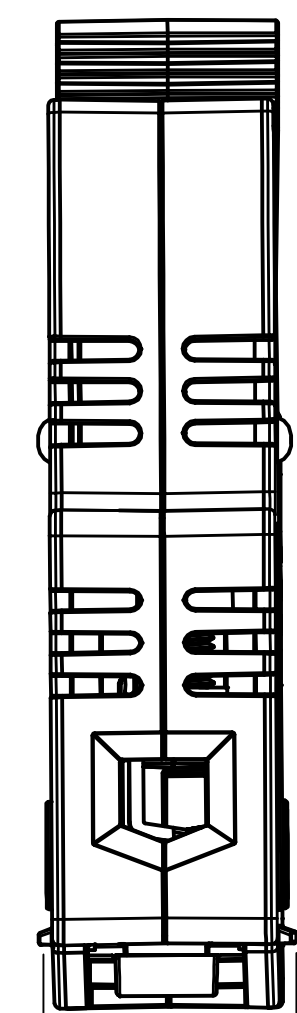
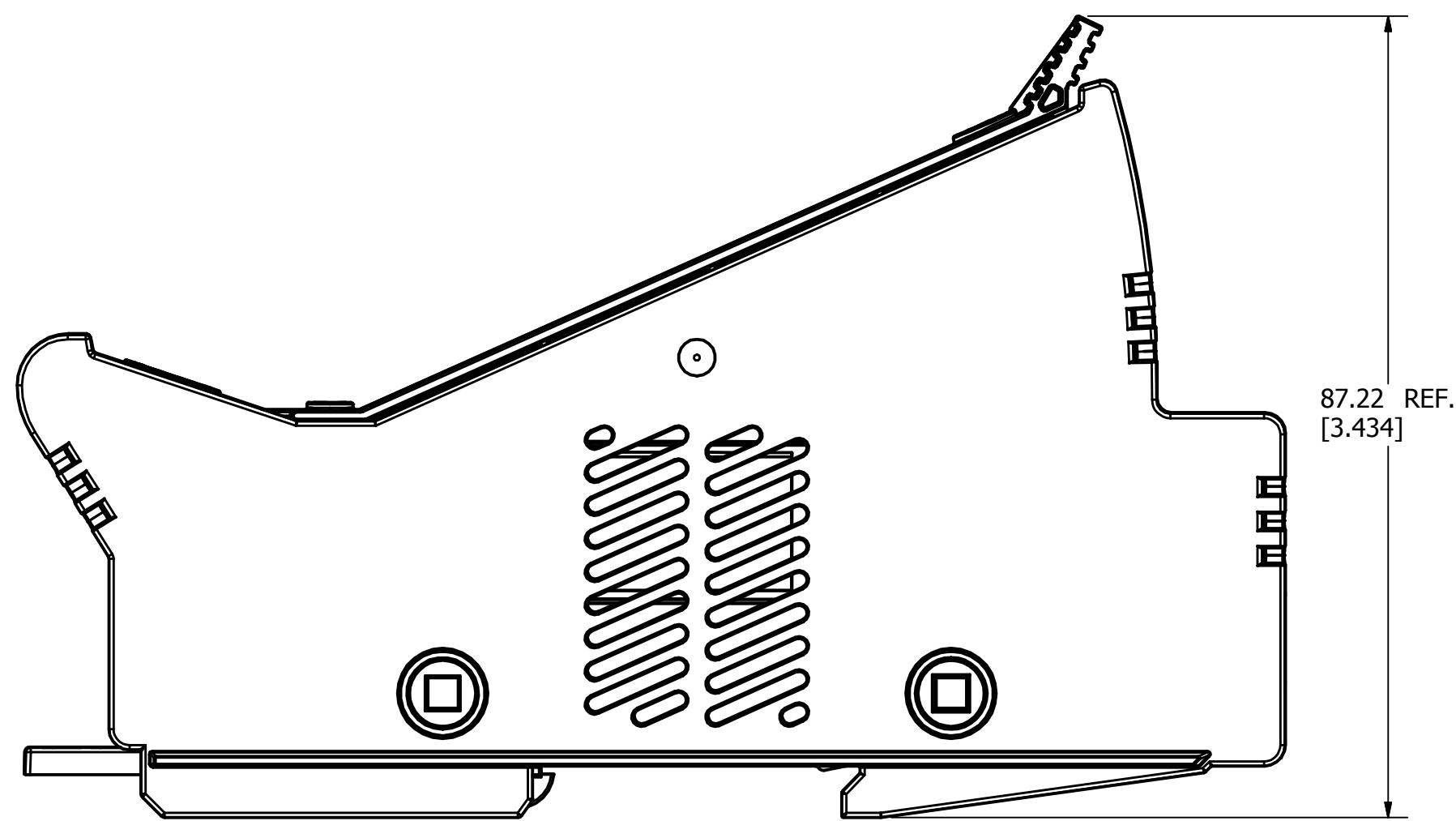
**WIRE RANGE/TORQUE:**

1x 25-2.5 mm <sup>2</sup>	2.71-3.16 N-m
1x 4-14 AWG	24-28 lb-in
2x 16-2.5 mm <sup>2</sup>	2.94-3.39 N-m
2x 6-14 AWG	26-30 lb-in
1x 1.5-0.75 mm <sup>2</sup>	2.03-2.49 N-m
1x 16-18 AWG	18-22 lb-in
2x 1.5-0.75 mm <sup>2</sup>	2.26-2.71 N-m
2x 16-18 AWG	20-24 lb-in

**APPROVALS:** UL LISTED (FILE NO. E345481)  
 IEC 60269-6



COPPER ALLOY BUSBAR SPECIFICATIONS			
TERMINAL	THICKNESS	WIDTH	TORQUE
MAXIMUM	4.78 mm [0.188 in]	7.37 mm [0.290 in]	2.71-3.16 N-m 24-28 lb-in
MINIMUM	3.18 mm [0.125 in]	5.08mm [0.200 in]	



●	DENOTES CRITICAL CHARACTERISTICS.		
CPK	DENOTES CPK DIMENSIONS, -MINIMUM CPK VALUE		
(ST)	DENOTES A CHARACTERISTIC THAT PROVIDES AN INDICATION OF PROCESS PERFORMANCE. PROCEDURE FOR MEASUREMENT AND TRACKING TO BE DEFINED IN LITTELFUSE INSPECTION INSTRUCTIONS.		
CP	DENOTES CP DIMENSIONS, -MINIMUM CP VALUE. MUST BE WITHIN THE DIMENSIONAL LIMITATIONS SHOWN ON DRAWING AND INITIALLY LOCATED TO ALLOW FOR MAXIMUM TOOL LIFE.		
MATL SPEC	FINISH		
DRW MYORK	DATE 5/17/2016	SCALE NTS	FINISH GOOD WT GRAMS/PIECE
UNLESS OTHERWISE SPECIFIED, DIMENSIONS ARE IN MILLIMETERS, DIMENSIONS IN BRACKETS [ ] ARE INCHES DIMENSIONING AND DO NOT INCLUDE PLATING. TOLERANCING TO BE INTERPRETED IN ACCORDANCE WITH ANSI Y14.5M-1994			
3RD ANGLE PROJECTION			
TITLE	LFPXV OUTLINE		
	REVISION B	DRWG NO. OL-LFPXV001	SHEET 1 OF 1