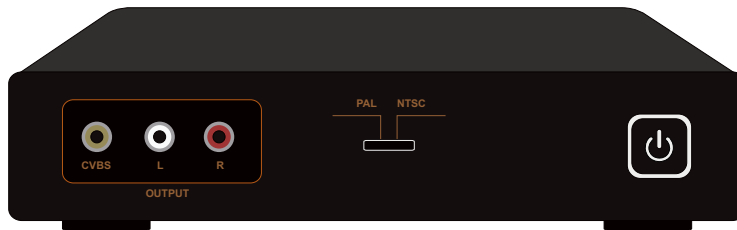


Compact SIDACTor® Protection Thyristor for CVBS and RS-485 Ports

Application Note

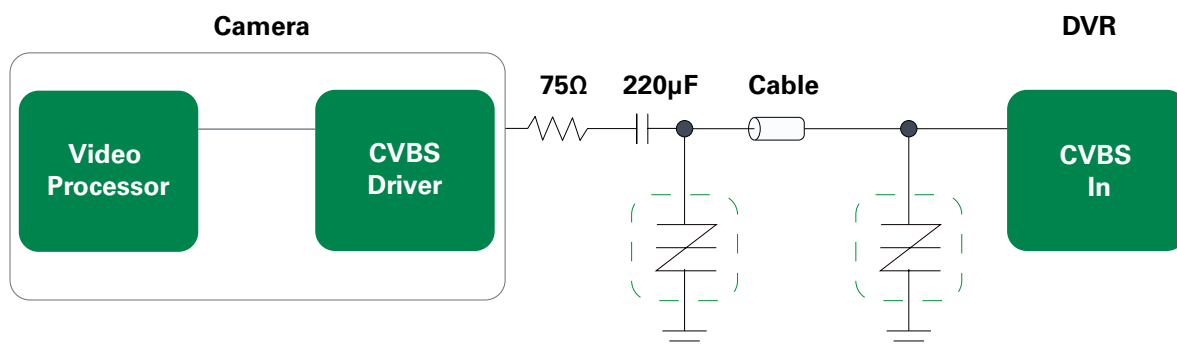
The first television broadcast signals were "monochrome" and contained just sync and luminance (brightness) information. This was superseded by the "composite color" signal in the 1950s, a combination of luminance and color signals, which is still used today as the dominant mode of video transmission. The composite signal, also known as Composite Video Blanking and Sync (CVBS), is the conventional analog signal delivered through an analog BNC connector, which basically means a pair of wires can transmit video and power from a camera to a video recorder, for video surveillance. This was the earliest video technology used in the security industry and it is still widely used today. The CVBS connector is often used in current STBs (Set Top Boxes) and other surveillance systems.

Figure 1. Typical CVBS Port



Outdoor security systems often require the use of long coaxial cables with CVBS connectors, requiring protection against induced lightning surges. The YD/T 1082-2000 standard establishes the technical specifications on overvoltage and overcurrent protection of access network equipment for Mainland China. Lightning surge test conditions for outdoor cables with CVBS connectors are normally 4kV 10/700 μ S (100A 5/310 μ S).

Figure 2. Typical CVBS Driver Circuit And Connection



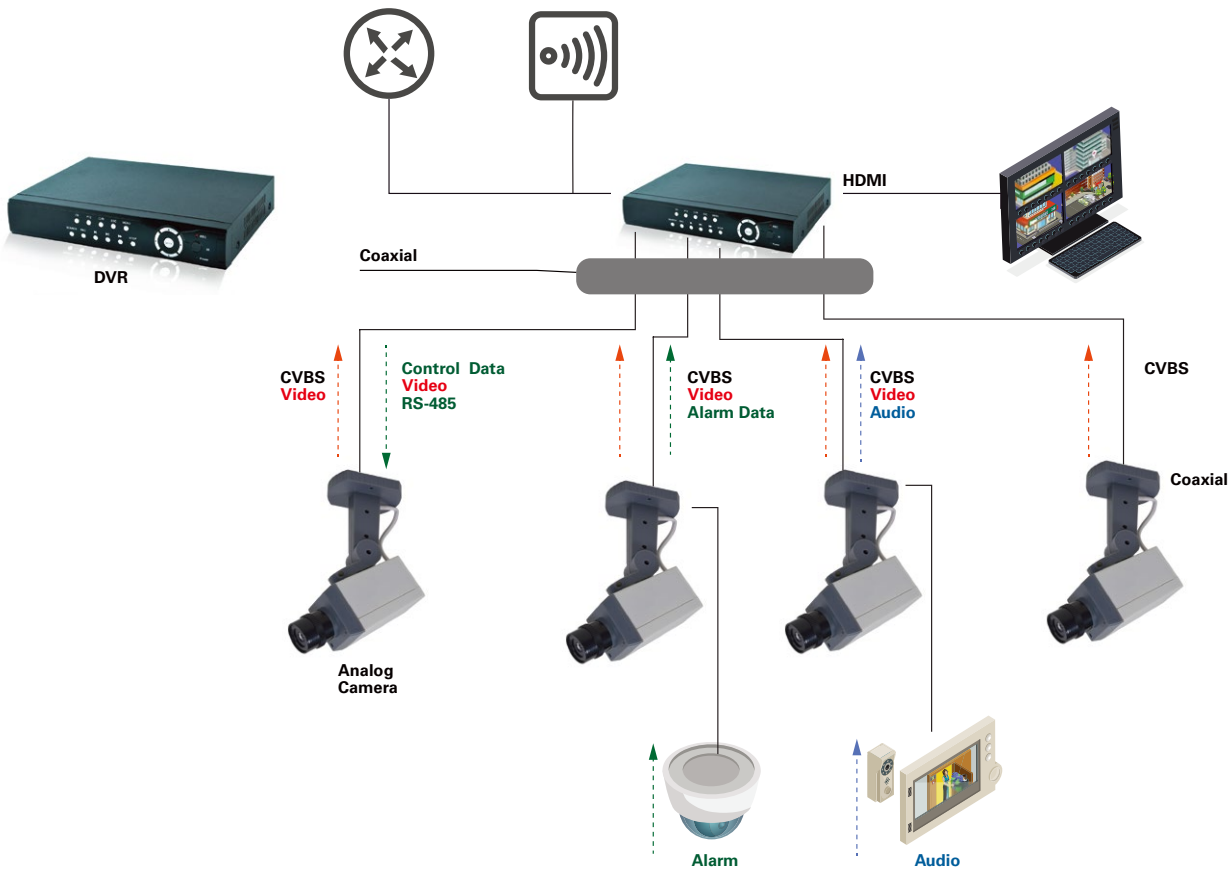
Compact SIDACTor® Protection Thyristor for CVBS and RS-485 Ports

Application Note

Normally, peak to peak signal voltage is within 1.1V and driver IC Vcc voltage is less than 5V, so a protection component with a voltage higher than 6V is suggested. The P0080S4BLRP SIDACTor® Protection Thyristor has a minimum operating voltage of 6V and 100A 5/310µs surge peak current capability. Its junction capacitance of less than 30pF is well-suited for 4.43 MHz CVBS signals.

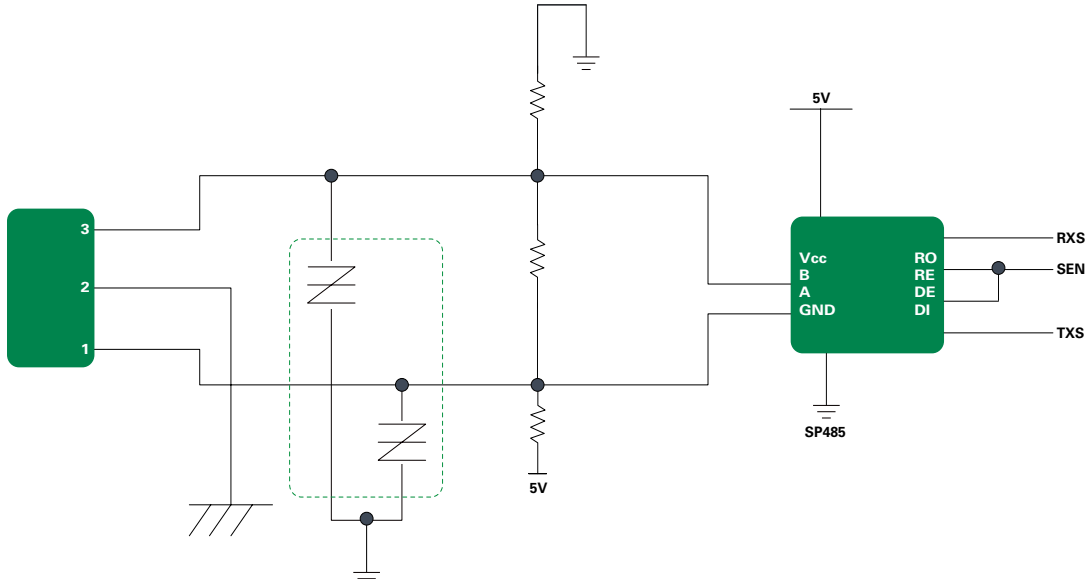
The P0080S4BLRP thyristor can also be used for surge protection of R/G/B cables.

Figure 3. Typical Surveillance System Topology



In surveillance systems, RS-485 connections are also very popular for data communication or control applications. Like CVBS cables, RS-485 data lines need to be protected from induced lightning surges. Figure 4 illustrates how two P0080S4BLRP can be used for both differential mode and common mode surge protection.

Figure 4. Typical RS-485 Topology



The P0080S4BLRP's minimum operating voltage of 6V and low capacitance is well-suited for low voltage signal line protection.

Part Number	Marking	$V_{DRM} @ I_{DRM}=5\mu A$	$V_s @ 100V/\mu s$	I_H	I_S	I_T	$V_T @ I_T=2.2Amps$	Capacitance @ 1MHz, 2V bias	
		V_{min}	V_{max}	mA min	mA max	A max	V_{max}	pF min	pF max
P0080S4BLRP	P-8B	6	25	50	800	2.2	4	15	25

It has high surge current capability with various surge waveforms and a compact package that simplifies designing it into a PCB layout.

Series	Ipp										di/dt Amps/ μs max
	0.2/310 0.5/700	2/10 2/10	8/20 1.2/50	10/160 10/160	10/560 10/560	5/320 9/720	10/360 10/360	10/1000 10/1000	5/310 10/700	I_{TSM} 50/60 Hz	
	A min	A min	A min	A min	A min	A min	A min	A min	A min	A min	
B	20	150	150	90	50	75	75	50	100	20	500

For detailed product information, please visit the Littelfuse website at www.Littelfuse.com.