


## 125 Series Rivet/Eyelet and Circuit Board Mount Clips for Midget (13/32") Diameter Solar Fuses RoHS



**125 004**

**125 005**

### Agency Approval

Agency	Agency File Number
	E14721

### Additional Information



**Datasheet**  
125 Series



**Resources**  
125 Series

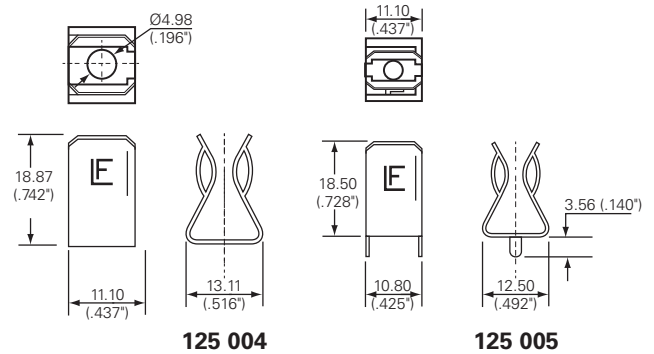


**Samples**  
125 Series

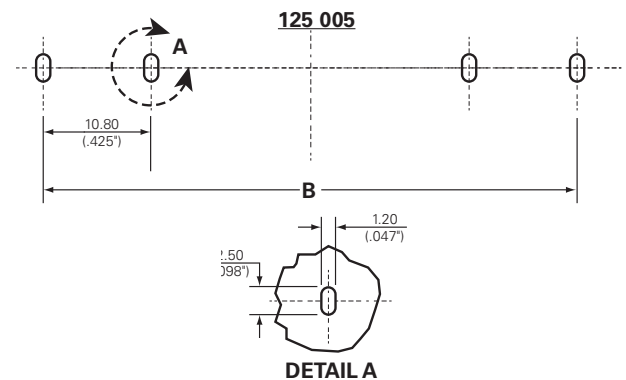
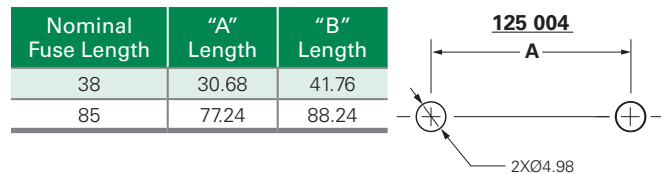
### Product Characteristics

<b>Compatible Fuse Size</b>	<b>13/32" Diameter Fuses</b>
<b>Current Level</b>	30 Amperes Max.

### Product Dimensions



### Recommended Mounting Dimensions



### Ordering Information

Part Number	Catalog No.	Clip Material	Plating	Style	Packaging
<b>Rivet/Eyelet Mount Clips</b>					
01250004H	125 004	Phosphor Bronze	Silver-plated with Anti-tarnish	Ear	Bulk (100 pieces)
<b>Circuit Board Mount Clips</b>					
01250005H	125 005	Phosphor Bronze	Silver-plated with Anti-tarnish	Ear	Bulk (100 pieces)