

150HV Series Heavy Duty In-line Holder for 3AB/AG



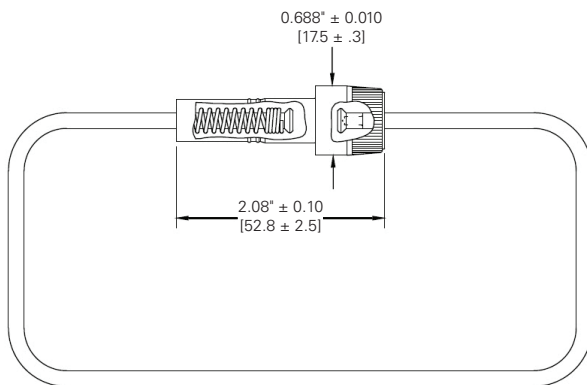
Agency Approval

Agency	Agency File Number
	E14721

Notes:

Please refer to Fuseology section for information on proper fuseholder re-rating.
Not for use in hazardous, and/or outdoor conditions.

19" Loop of 14 AWG Stranded Cu Wire



Product Characteristics

Compatible Fuses	3AB/AG Fuses
Electrical	Intended for use at 600 VAC/DC max rated up to 20 amperes.
Molded Parts	Body and knob are Black Thermoset (UL94 V-0). Both body and knob have a 0.20" diameter hole for insulated wire.
Knob	Bayonet-lock type metal insert.
Ambient Temperature	-40°C to + 85°C
Contact Rivet	Brass. Tin plated
Assembled	Supplied with 19" loop of #14 AWG red vinyl insulated wire

Ordering Information

Ordering Number	Catalog Number	Fuse Size	Packaging
01500603Z	150603	¼" x 1¼"	Bulk 100 Pieces

Additional Information



Datasheet



Resources



Samples

Disclaimer Notice - Information furnished is believed to be accurate and reliable. However, users should independently evaluate the suitability of and test each product selected for their own applications. Littelfuse products are not designed for, and may not be used in, all applications. Read complete Disclaimer Notice at: www.littelfuse.com/disclaimer-electronics.