

585/586 Series Cap for Fuse Holders for 5×20mm and 5×25mm Fuses

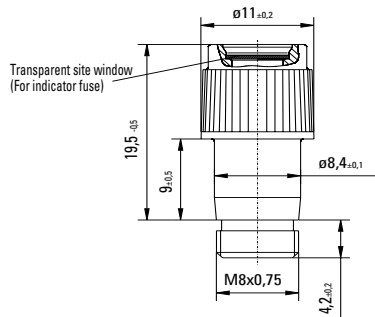
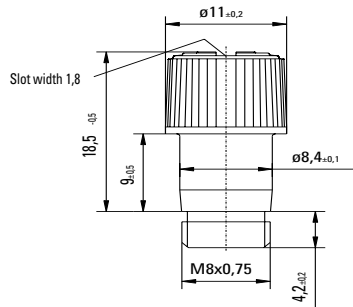


585 Cap
SLOTTED TOP
FOR 5×20MM FUSE



586 Cap
WITH SITE WINDOW
FOR 5×25MM FUSE

Dimensions



Product Characteristics

Compatible Fuse Types	5×20mm 5×25mm
Materials	Cap: Thermoplastic (Polyamide PA 6.6), UL 94 V-0, black
	Metal Parts: Copper alloy, corrosion protected
Electrical Data (23°C)	Rated Voltage: 250V
	Max. Current/Power: 6.3V / 2.5 W
Mounting	Screw Finger Grip
Protection Class & Category	IP 40 (IEC 60529)
Operating Temperature	-25 °C to 70 °C
Stock Conditions	10 °C to 60 °C
Contact Resistance	≤ 5mΩ
Dielectric Strength	3 kV, 50Hz, 1 min., dry
Insulation Resistance	> 10 ³ MΩ (500 V DC, 1 min.)

Note: 1.00 means the number one with two decimal places. 1,000 means the number one thousand.

Ordering Information

Description	Ordering Number	Packaging
Cap, 5×20 mm	58500000005	Bulk 100
Cap, 2x25 mm	58600000005	Bulk 100

Additional Information



Datasheet



Resources



Samples