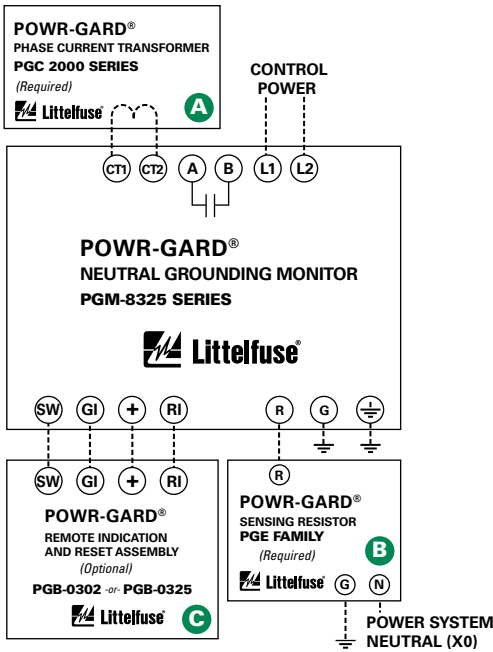


PGM-8325 SERIES

Neutral Grounding Monitor



Wiring Diagram



Ordering Information

CATALOG/ SYSTEM NUMBER	CONTROL POWER
PGM-8325	120 Vac 50/60 Hz, 10 VA
PGM-8325-E	240 Vac 50/60 Hz, 10 VA

ACCESSORIES	REQUIREMENT	PAGE
PGC-2000 Series	Required	38
PGE Family	Required	42
PGB-0302/PGB-0325	Optional	41




Description

The PGM-8325 Neutral Grounding Monitor is used on resistance-grounded systems up to 25 kV to monitor the integrity of the neutral-to-ground path. It measures current and voltage in a transformer or generator neutral-to-ground connection and continuity of the neutral-grounding resistor (NGR). The PGM-8325 coordinates these three measurements to detect a loose connection, corrosion, ground fault, or NGR failure, and provides one alarm or trip output contact.

Features & Benefits

FEATURES	BENEFITS
Continuous NGR Monitoring	Detects resistor failure within seconds, reduces transient-overvoltage risk, removes risk of ground-fault-detection failure
Ground-Fault Detection	Main or backup protection to detect a ground fault anywhere on the monitored system
Adjustable Pickup (0.5–4 A)	Select greatest sensitivity without false operation
Adjustable Time Delay (0.1–2 s)	Adjustable trip delay allows quick protection and system coordination
Output Contacts	Form A output contact
Selectable Contact Operating Mode	Selectable fail-safe or non-fail-safe operating modes allows connection to shunt or undervoltage breaker coil

Accessories

- A**  **PGC-2000 Series Phase Current Transformers**
Required CT detects phase current or ground-fault current (200-A primary). Other current ratios available.
- B**  **PGE Family Sensing Resistors**
Required interface between the power system and the PGM-8325. Eliminates hazardous voltage levels at the monitor.
- C**  **PGB-0302 or PGB-0325 Remote Indication Assemblies**
Optional panel-mounted remote indication and reset assemblies.

Specifications

IEEE Device Numbers	Ground fault (50G/N, 51G/N), Overvoltage (59N), Check Relay (3GC)
Input Voltage	See ordering information
Dimensions	H 150 mm (5.9"); W 109 mm (4.3"); D 100 mm (4.0")
GF Trip Level Settings	0.5–4.0 A
GF Trip Time Settings	0.1–2.0 s
RF Trip-Level Settings	20–400 Vac (≤5 kV systems) 100–2000 Vac (> 5 kV systems)
Contact Operating Mode	Selectable fail-safe or non-fail-safe
Reset Button	Standard feature
Output Contacts	Form A
Approvals	CSA certified to US and Canadian standards
Conformally coated	Standard feature
Warranty	5 years
Mounting	Surface