

AC6000-CART MANUAL
INDUSTRIAL SHOCK-BLOCK CART
REVISION 0-A-010314



Copyright © 2014 by Littelfuse Startco.

All rights reserved.

This page intentionally left blank.

TABLE OF CONTENTS

SECTION	PAGE
1. Introduction	1
1.1 General.....	1
2. Assembly and Installation	1
2.1 Unpacking.....	1
2.2 Tools Required	4
2.3 Assembly	4
2.3.1 AC6000-MNT Assembly	4
2.3.2 AC6000-CART Assembly	4
2.4 AC6000-MNT Installation	5
3. SB6100 Mounting	8
4. Technical Specifications	9
5. Ordering Information	9
6. Warranty	9
Appendix A AC6000-CART Revision History	10

LIST OF TABLES

TABLE	PAGE
1. AC6000-CART Parts List.....	1
2. Parts Required for Attaching AC6000-MNT.....	5

DISCLAIMER

Specifications are subject to change without notice. Littelfuse Startco is not liable for contingent or consequential damages, or for expenses sustained as a result of incorrect application, incorrect adjustment, or a malfunction.

LIST OF FIGURES

FIGURE	PAGE
1 AC6000-CART Parts Identification	2
2 AC6000-CART Hardware Identification.....	3
3 AC6000-CART Overall Assembly	3
4 AC6000-MNT	4
5 Assembly of Plate, Feet, and Handle	4
6 Axle Installation	4
7 Wheel Installation	4
8 Wheel Assembly	5
9 AC6000-MNT Mounting Detail.....	6
10 Industrial Shock-Block Enclosed Model (SB6100-311-0) Outline and Mounting Details	7
11 SB6100 Mounting	8

This page intentionally left blank.

1 INTRODUCTION

1.1 GENERAL

The AC6000-CART is a two-wheeled cart for enclosed models of an SB6100 Industrial Shock-Block. It provides mobility for an SB6100 that is not powered. Each cart includes an AC6000-MNT mounting frame. The mounting frame provides additional protection for an SB6100 and allows up to 23 kg (50 lb) of cable to be wound around the frame.

The cart has a 279 x 457 mm (11 x 18") accessory plate that can be used to mount optional accessories such as a junction box or cable connectors. It is constructed of lightweight aluminum with a stainless-steel axle and hardware. The wheels are maintenance-free solid polypropylene. All aluminum parts are finished with durable semi-gloss black powder-coat paint.

2. ASSEMBLY AND INSTALLATION

2.1 UNPACKING

The AC6000-CART ships in a 1016 x 457 x 203 mm (40 x 18 x 8") cardboard box and contains the parts shown in Table 1 and Figs. 1 and 2.



TABLE 1. AC6000-CART Parts List

ITEM	QTY	DESCRIPTION
A	2	25 x 3 mm (1 x 1/8") wall, aluminum cart feet
B	1	6 mm (1/4") aluminum accessory plate
C	1	25 x 3 mm (1 x 1/8") wall, aluminum cart handle
D	1	16 mm (5/8") stainless steel axle
E	2	Econo-Lite polypropylene wheel, black, 203 x 51 mm (8 x 2"), 16 mm (5/8") axle, roller bearing, 454 kg (1,000 lb) capacity
F	4	Flat washer, 5/8", stainless steel
G	4	Hex-head bolt, 3/8" - 16 thread, 3" length, stainless steel
H	8	Flat washer, 3/8", stainless steel
I	6	Push-in round plug, preinstalled
J	4	Split lock washer, 3/8", stainless steel
K	4	Hex nut, 3/8" - 16 thread, stainless steel
L	2	Hairpin cotter pin
AC6000-MNT	1	Mounting frame
AC6000-CART Manual	1	Instruction manual

If any of the parts in Table 1 are missing, please contact Littelfuse or one of its distributors. Spare fasteners may be included.

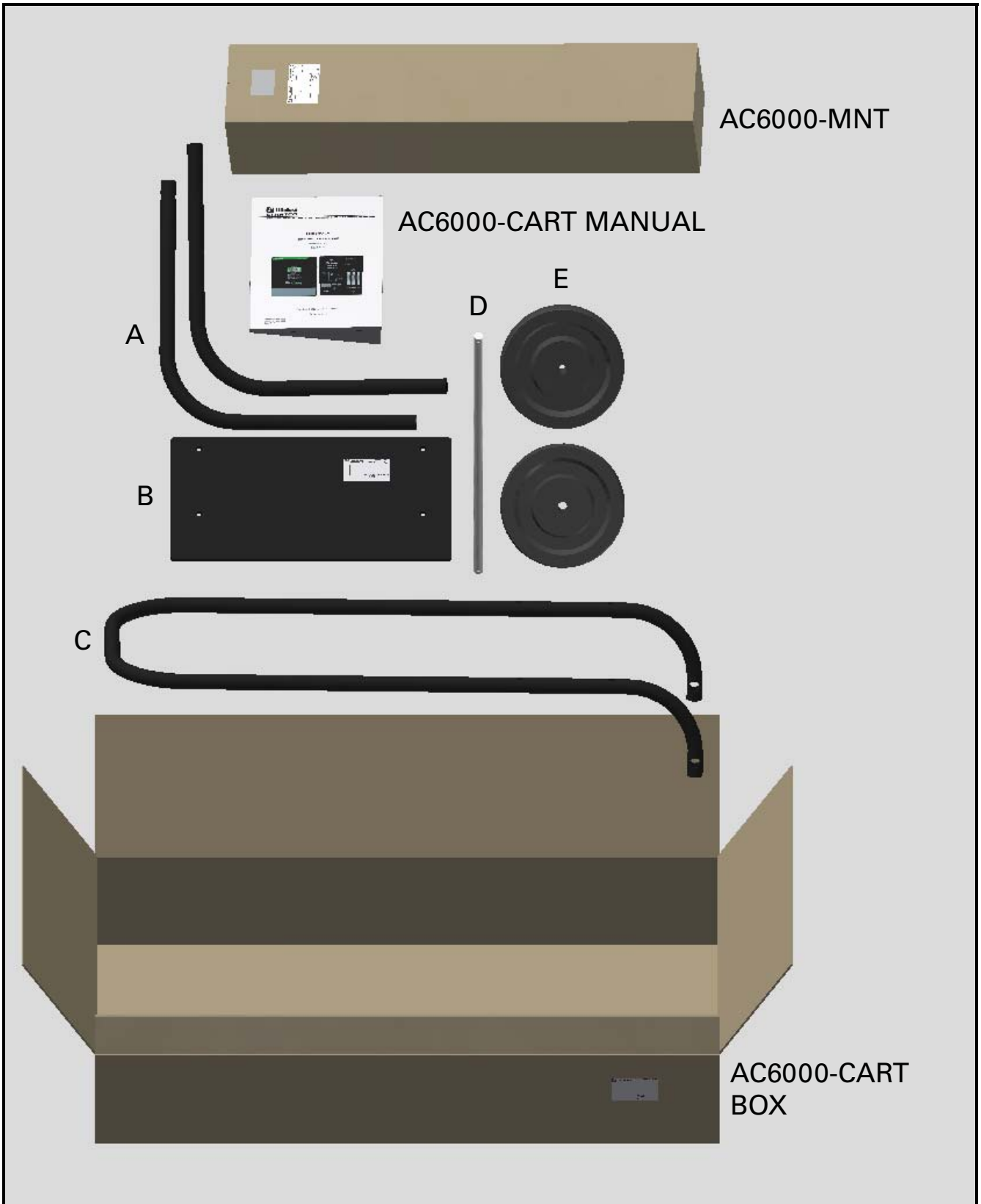


FIGURE 1. AC6000-CART Parts Identification.

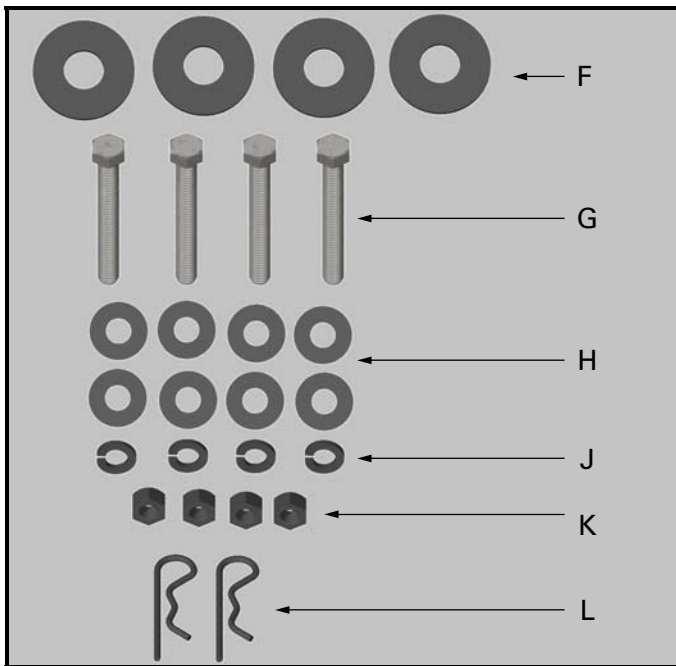


FIGURE 2. AC6000-CART Hardware Identification.

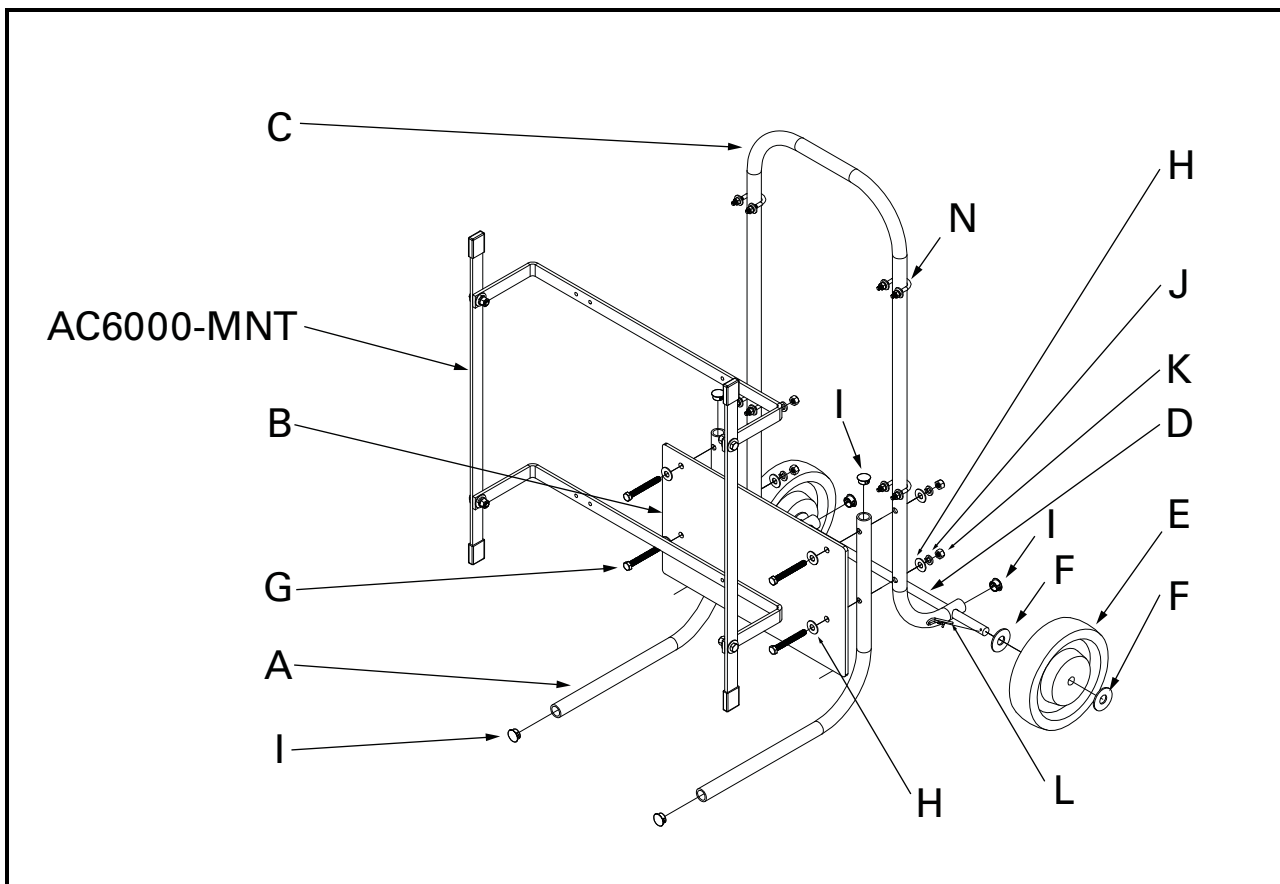


FIGURE 3. AC6000-CART Overall Assembly.

2.2 TOOLS REQUIRED

To assemble the AC6000-CART, a 7/16" and two 9/16" wrenches are required.

2.3 ASSEMBLY

2.3.1 AC6000-MNT ASSEMBLY

The AC6000-MNT is packaged in a separate box. Follow the included AC6000-MNT manual instructions to assemble it first. When complete, it should appear as shown in Fig. 4. It is not necessary to install the U-bolts until installing it on to the AC6000-CART in Section 3.



FIGURE 4. AC6000-MNT.

2.3.2 AC6000-CART ASSEMBLY

Referring to Fig. 5, follow these steps to assemble the AC6000-CART:

- Place flat washers (H) on the hex-head bolts (G) and insert them through the accessory plate (B), feet (A), and handle (C).
- Secure the bolts in place with a second flat washer (H), a split lock washer (J), and a hex nut (K). Secure the fasteners finger tight and flex the handle into place repeating this procedure to install the remaining three fasteners.
- The plugs (I) should have been preinstalled into the feet (A).

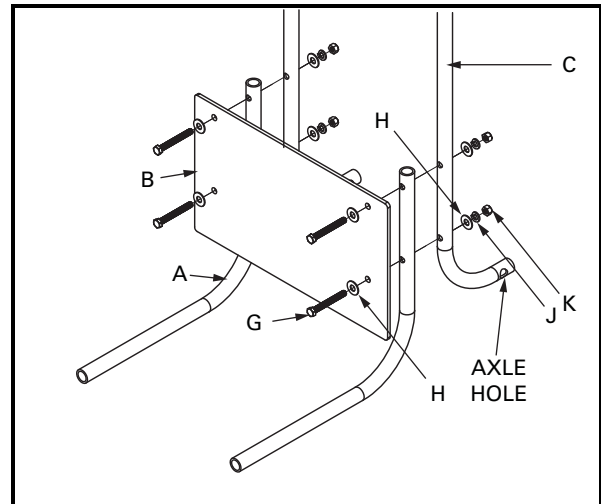


FIGURE 5. Assembly of Plate, Feet, and Handle.

- Insert the stainless steel axle (D) through the two holes in the cart handle (C) as shown in Fig. 6.

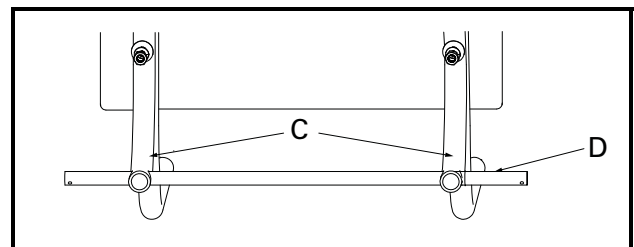


FIGURE 6. Axle Installation.

- Center the axle (D) on the cart handle (C). Then install flat washers (F), the cart wheels (E), and a second set of flat washers (F) over the axle (D). See Fig. 7.

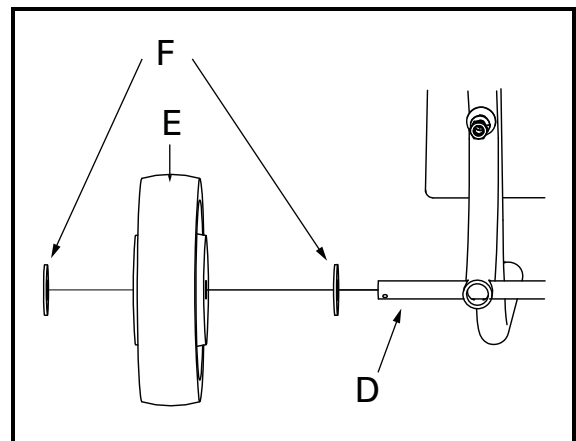


FIGURE 7. Wheel Installation.

- Insert the hairpin cotter pins (L) through the small hole on each end of the axle (D) to secure the wheels. Refer to Fig. 8.

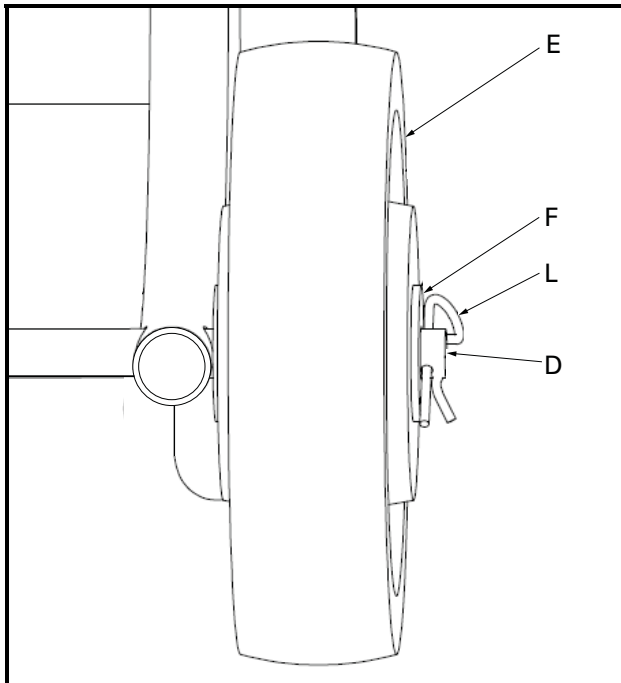


FIGURE 8. Wheel Assembly.

This concludes the assembly of the AC6000-CART. The next step is to install the AC6000-MNT and SB6100.

2.4 AC6000-MNT INSTALLATION

TABLE 2. Parts Required for Attaching AC6000-MNT

ITEM	QTY	DESCRIPTION
N	4	U-Bolt, 1/4" - 20, 1" thread length, fits 1-1/8" OD tubing, stainless steel
O	8	Flat washer, 1/4", stainless steel
P	8	Split lock washer, 1/4", stainless steel
R	8	Hex nut 1/4" - 20, stainless steel

Attach the AC6000-MNT to the cart handle with the four included U-bolts. Follow these steps to attach the AC6000-MNT:

- Position the AC6000-MNT as shown in Figs. 3 and 9. The bottom bar should be approximately 50 mm (2") above the accessory plate.
- Insert a U-bolt from the rear of the cart around the handle tube and through the two holes in the mounting bar. Install flat washers (O), split lock washers (P), and fasten in place with a hex nut (R). Install the hardware only on the outer half of the U-bolts as shown in detail 'A' in Fig. 9. Repeat for each of the remaining three U-bolts. Secure the fasteners finger tight so they can easily be repositioned.

Refer to Table 2 for a list of the parts required to attach the AC6000-MNT to the AC6000-CART.

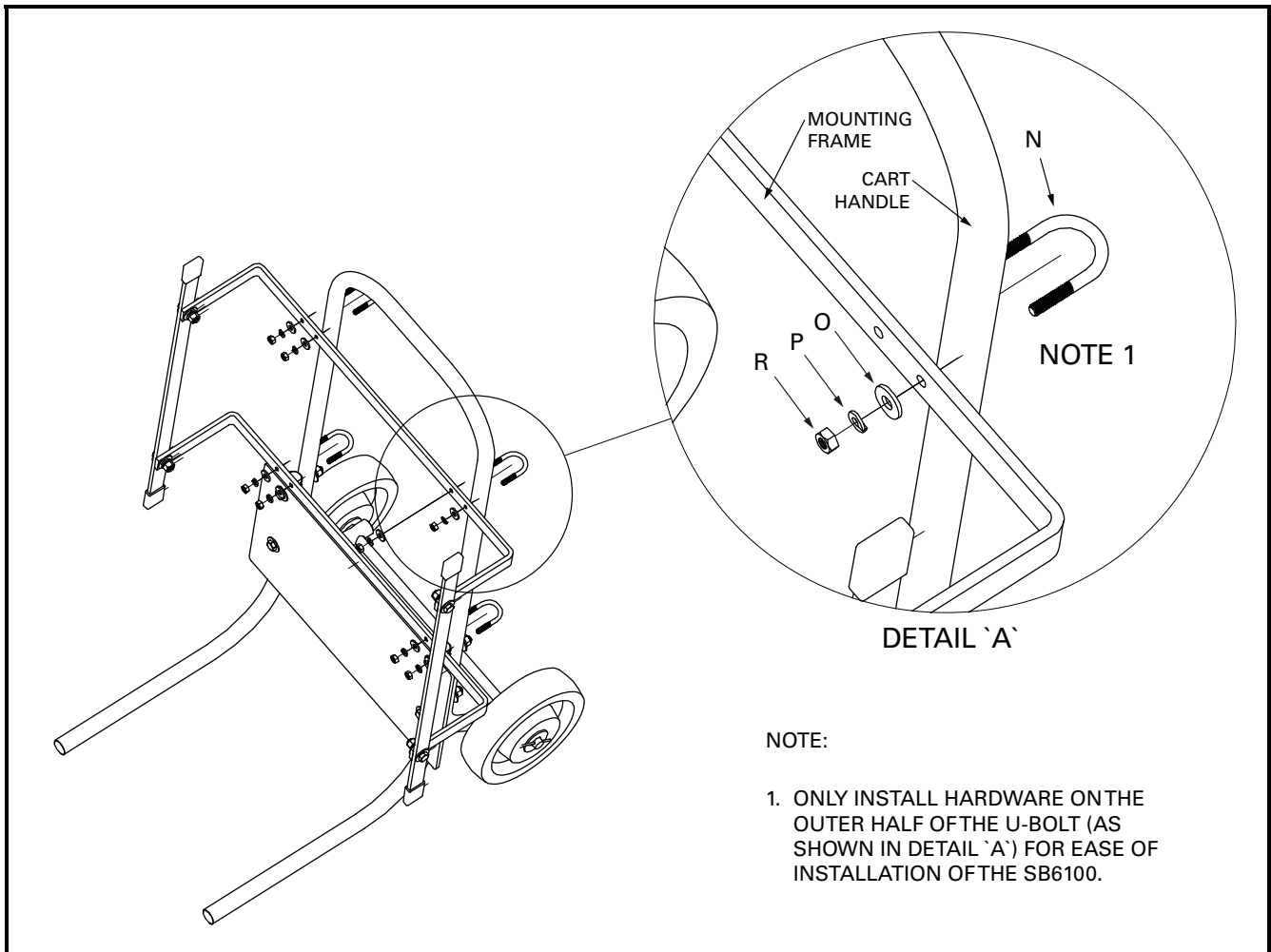
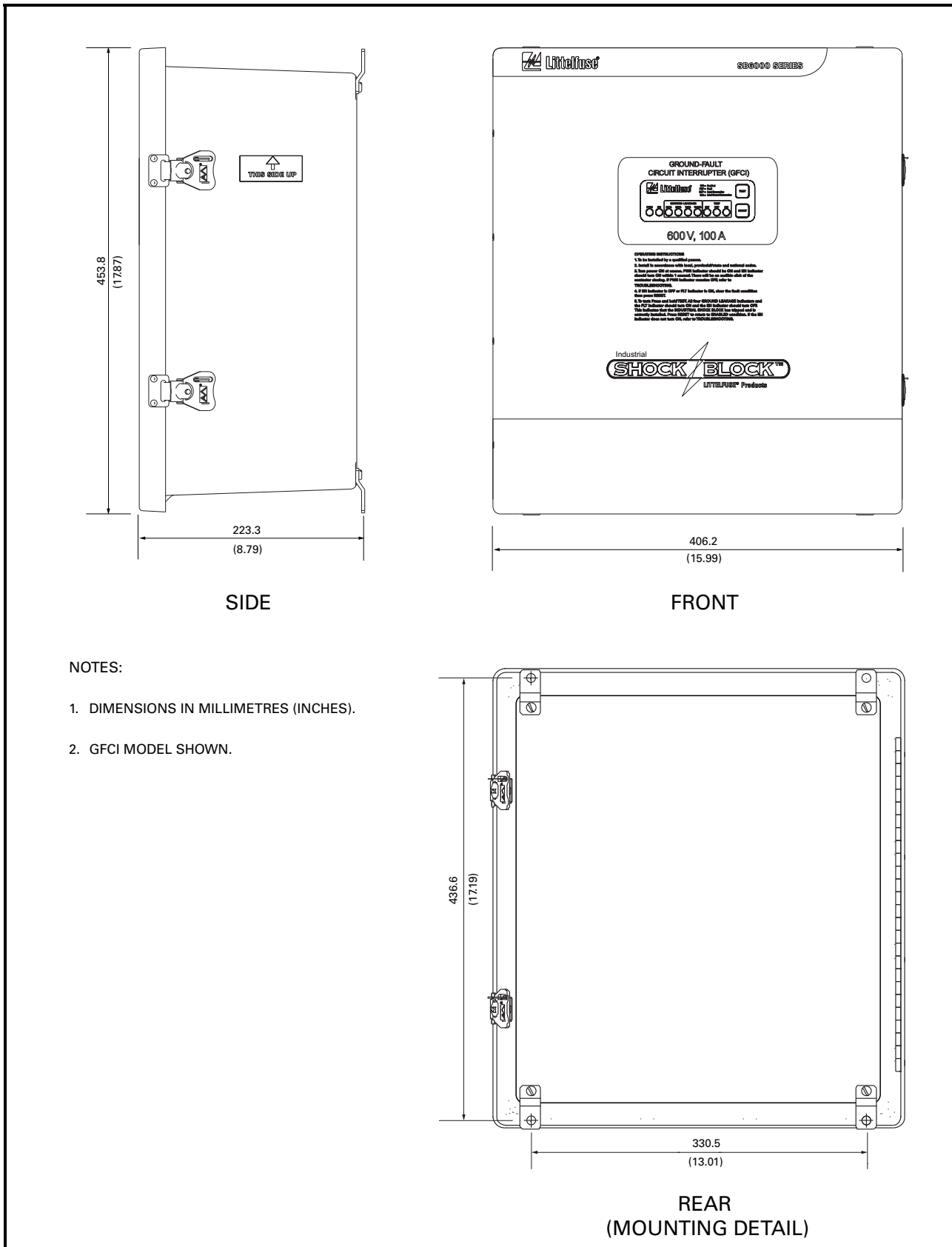


FIGURE 9. AC6000-MNT Mounting Detail.



NOTES:

1. DIMENSIONS IN MILLIMETRES (INCHES).
2. GFCI MODEL SHOWN.

FIGURE 10. Industrial Shock-Block Enclosed Model (SB6100-311-0) Outline and Mounting Details.

3. SB6100 MOUNTING

An enclosed model of the SB6100 is shown in Fig. 10. Follow these steps to mount an SB6100 to the assembled AC6000-CART:

- The SB6100 mounting feet align with the inner holes on the AC6000-MNT cable holder bars. The outer half of each U-Bolt has previously been secured in place.
- Place a flat washer (O) on the inner half of each U-bolt (N).
- Align and place the SB6100 on the four inner bolts and secure in place using split lock washers (P) and hex nuts (R) as shown in Fig. 11.
- Tighten all fasteners to a torque of 8.5 N-m (75 in-lb).

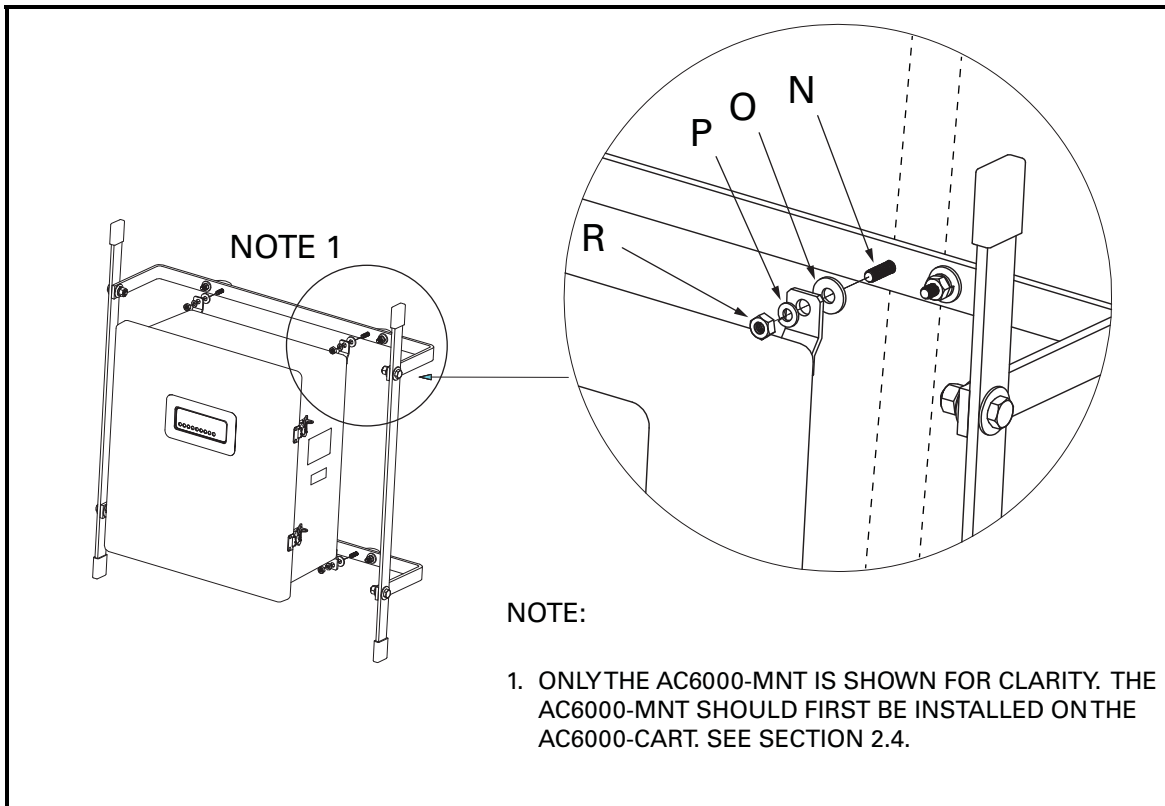


FIGURE 11. SB6100 Mounting.

4. TECHNICAL SPECIFICATIONS

Maximum Load..... 45 kg (100 lb)

Dimensions⁽¹⁾:

Height..... 1064 mm (42.0")

Width..... 648 mm (25.5")

Depth..... 662 mm (26.0")

Shipping Dimensions:

Height..... 1016 mm (40.0")

Width..... 457 mm (18.0")

Depth..... 203 mm (8.0")

Accessory Plate Dimensions:

Height..... 279 mm (11.0")

Width..... 457 mm (18.0")

Depth..... 6 mm (0.25")

Weight..... 9 kg (22 lb)

Shipping Weight..... 11 kg (25 lb)

Material..... Aluminum

Finish..... Powder Coat Gloss
Black

Wheels..... Solid Polypropylene
(Maintenance Free)

NOTES:

⁽¹⁾ Includes the AC6000-MNT.

5. ORDERING INFORMATION

AC6000-CART-00

6. WARRANTY

The AC6000-CART and is warranted to be free from defects in material and workmanship for a period of one year from the date of purchase.

Littelfuse Startco will (at Littelfuse Startco's option) repair, replace, or refund the original purchase price of an AC6000-CART that is determined by Littelfuse Startco to be defective if it is returned to the factory, freight prepaid, within the warranty period. This warranty does not apply to repairs required as a result of misuse, negligence, an accident, improper installation, tampering, or insufficient care. Littelfuse Startco does not warrant products repaired or modified by non-Littelfuse Startco personnel.

**APPENDIX A
AC6000-CART REVISION HISTORY**

MANUAL RELEASE DATE	MANUAL REVISION	PRODUCT REVISION (REVISION NUMBER ON PRODUCT LABEL)
January 3, 2014	0-A-010314	00

MANUAL REVISION HISTORY

REVISION 0-A-010314

Initial release.

PRODUCT REVISION HISTORY

PRODUCT REVISION 00

Initial release.