

**AC6000-MNT MANUAL**  
**INDUSTRIAL SHOCK-BLOCK MOUNT**  
REVISION 0-A-010614



Copyright © 2014 by Littelfuse Startco.

All rights reserved.

This page intentionally left blank.

## TABLE OF CONTENTS

SECTION	PAGE
<b>1. Introduction</b> .....	1
1.1 General.....	1
<b>2. Assembly and Installation</b> .....	1
2.1 Unpacking.....	1
2.2 Tools Required .....	5
2.3 AC6000-MNT Assembly .....	5
2.4 Installation of the AC6000-MNT .....	5
<b>3. SB6100 Mounting</b> .....	8
<b>4. Technical Specifications</b> .....	9
<b>5. Ordering Information</b> .....	9
<b>6. Warranty</b> .....	9
<b>Appendix A AC6000-MNT Revision History</b> .....	10

## LIST OF FIGURES

FIGURE	PAGE
1 AC6000-MNT Parts Identification.....	2
2 AC6000-MNT Hardware Identification.....	3
3 AC6000-MNT Overall Assembly .....	4
4 AC6000-MNT Assembly.....	5
5 AC6000-MNT Outline.....	6
6 Industrial Shock-Block Enclosed Model (SB6100-311-0) Outline and Mounting Details .....	7
7 SB6100 Mounting .....	8

## LIST OF TABLES

TABLE	PAGE
1. AC6000-MNT Parts List.....	1

## DISCLAIMER

Specifications are subject to change without notice. Littelfuse Startco is not liable for contingent or consequential damages, or for expenses sustained as a result of incorrect application, incorrect adjustment, or a malfunction.

This page intentionally left blank.

## 1 INTRODUCTION

### 1.1 GENERAL

The AC6000-MNT is a universal mounting frame for attaching an SB6100 Industrial Shock-Block to an AC6000-CART or other vertical surface. The mounting frame provides additional protection for an SB6100 and allows up to 23 kg (50 lb) of cable to be wound around the frame.

The AC6000-MNT includes U-bolts that can be attached to 25 mm (1") tubing. The AC6000-MNT is predrilled to fit the AC6000-CART. It may be necessary to drill new holes if attaching to a different surface.

## 2. ASSEMBLY AND INSTALLATION

### 2.1 UNPACKING

The AC6000-MNT ships in a 152 x 152 x 762 mm (6 x 6 x 30") cardboard box and contains the parts shown in Table 1 and Figs. 1 and 2.

TABLE 1. AC6000-MNT Parts List

ITEM	QTY	DESCRIPTION
A	2	25 x 3 mm (1 x 1/4") aluminum cable holder rail
B	2	25 x 3 mm (1 x 1/4") aluminum cable holder bar
C	8	Hex nut, 1/4" - 20 thread, stainless steel
D	8	Split lock washer, 1/4", stainless steel
E	8	Flat washer, 1/4", stainless steel
F	4	U-Bolt, 1/4" - 20, 1" thread length, fits 1-1/8" OD tubing, stainless steel
G	4	Hex nut, 3/8" - 16 thread, stainless steel
H	4	Split lock washer, 3/8", stainless steel
J	8	Flat washer, 3/8", stainless steel
K	4	Hex-head bolt, 3/8" - 16 thread, 1-1/4" length, stainless steel
L	4	Push-on rectangular cap, preinstalled
AC6000-MNT Manual	1	Instruction manual

If any of the parts in Table 1 are missing, please contact Littelfuse or one of its distributors. Spare fasteners may be included.

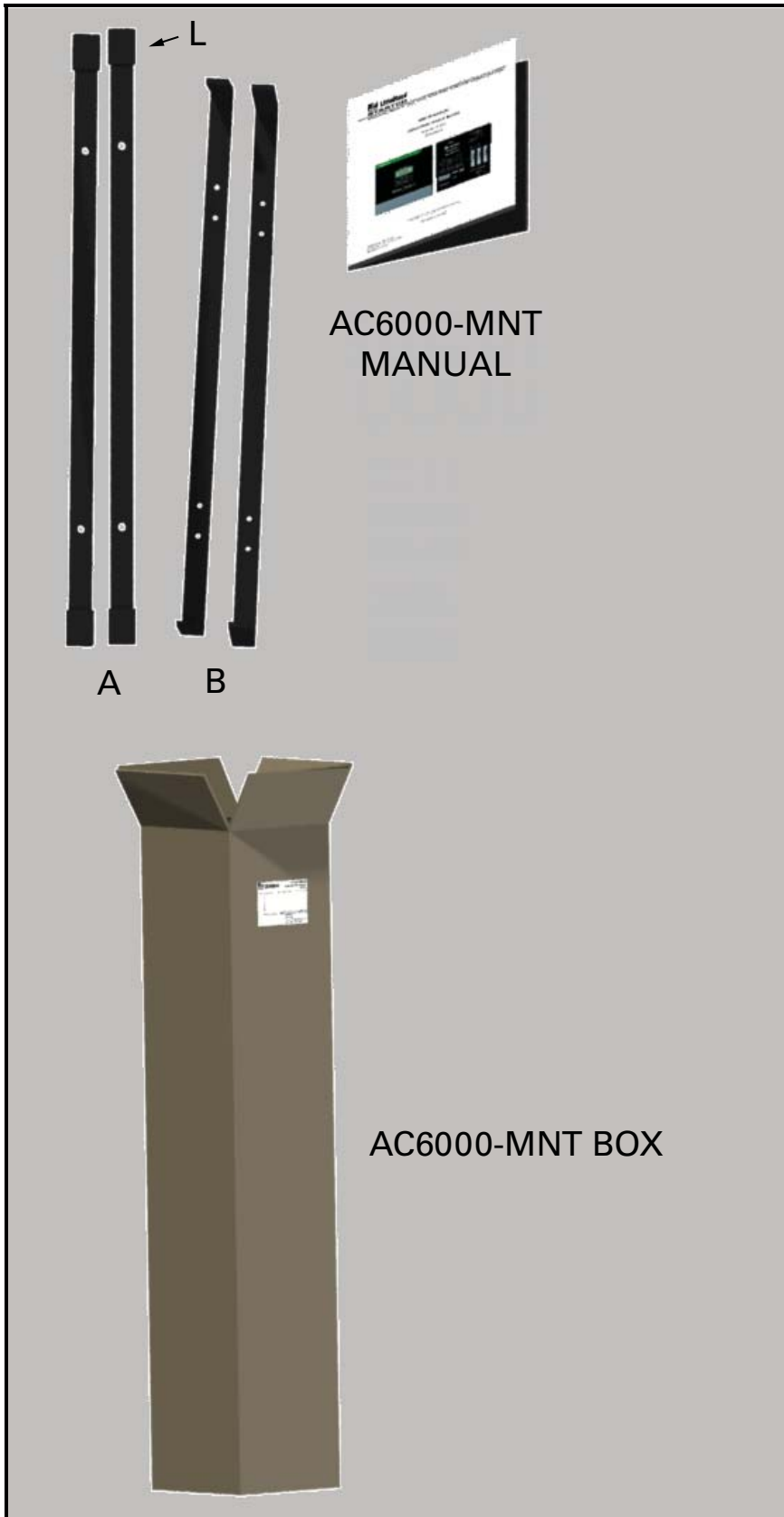


FIGURE 1. AC6000-MNT Parts Identification.

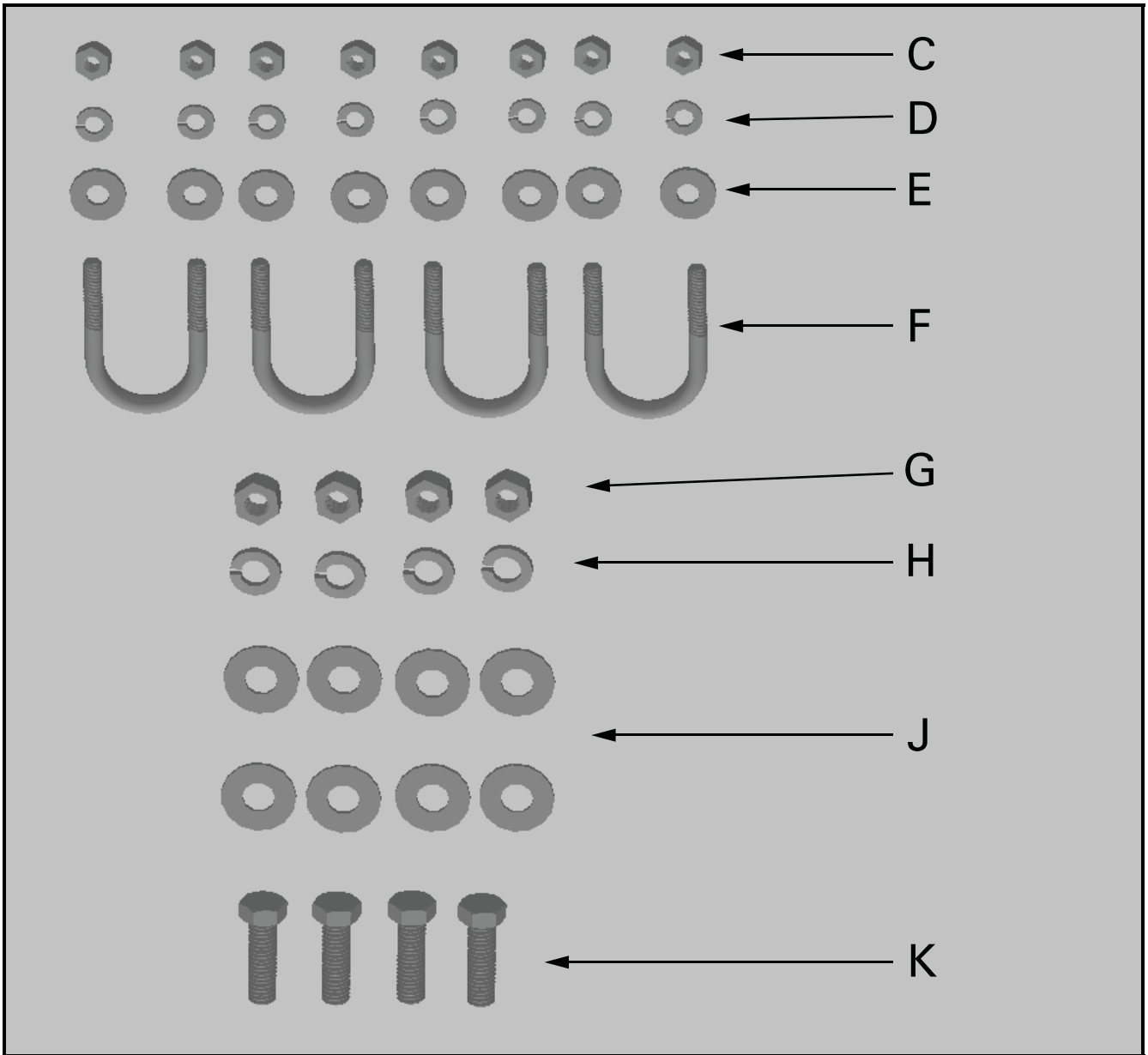


FIGURE 2. AC6000-MNT Hardware Identification.

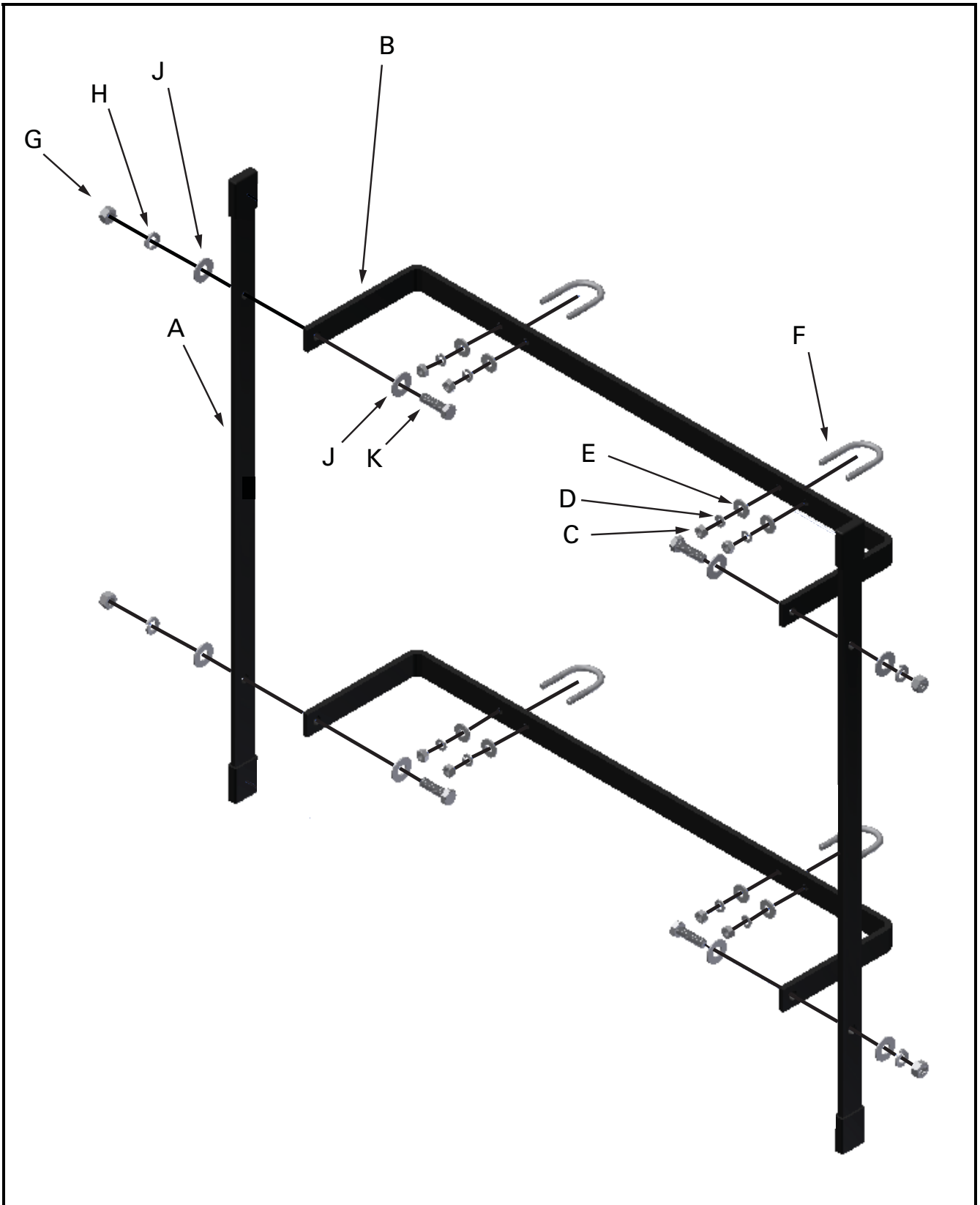


FIGURE 3. AC6000-MNT Overall Assembly.



**2.2 TOOLS REQUIRED**

To assemble the AC6000-MNT, a 7/16" and two 9/16" wrenches are required.

**2.3 AC6000-MNT ASSEMBLY**

Follow these steps to assemble the AC6000-MNT:

- Attach the two cable holder rails (A) to the two cable holder bars (B) with the four hex-head bolts (K) in the locations shown in Figs. 3 and 4.
- Install the fastener components as shown in the detail in Fig. 4. Secure each of the bolts finger tight such that the two cable holder bars (B) can still move slightly. This will allow the mounting holes to be adjusted to line up with the mounting feet of the SB6100.

**2.4 INSTALLATION OF THE AC6000-MNT**

U-bolts (F), hex nuts (C), split lock washers (D) and flat washers (E) are used to attach the AC6000-MNT to a cart or surface that uses 25 mm (1") tubing. It may be necessary to substitute these with different fasteners (not included).

If the mount is to be installed on the AC6000-CART, begin the assembly of the cart now. Refer to the AC6000-CART manual. Do not install the U-bolts at this step.

The assembled AC6000-MNT with overall dimensions is shown in Fig. 5.

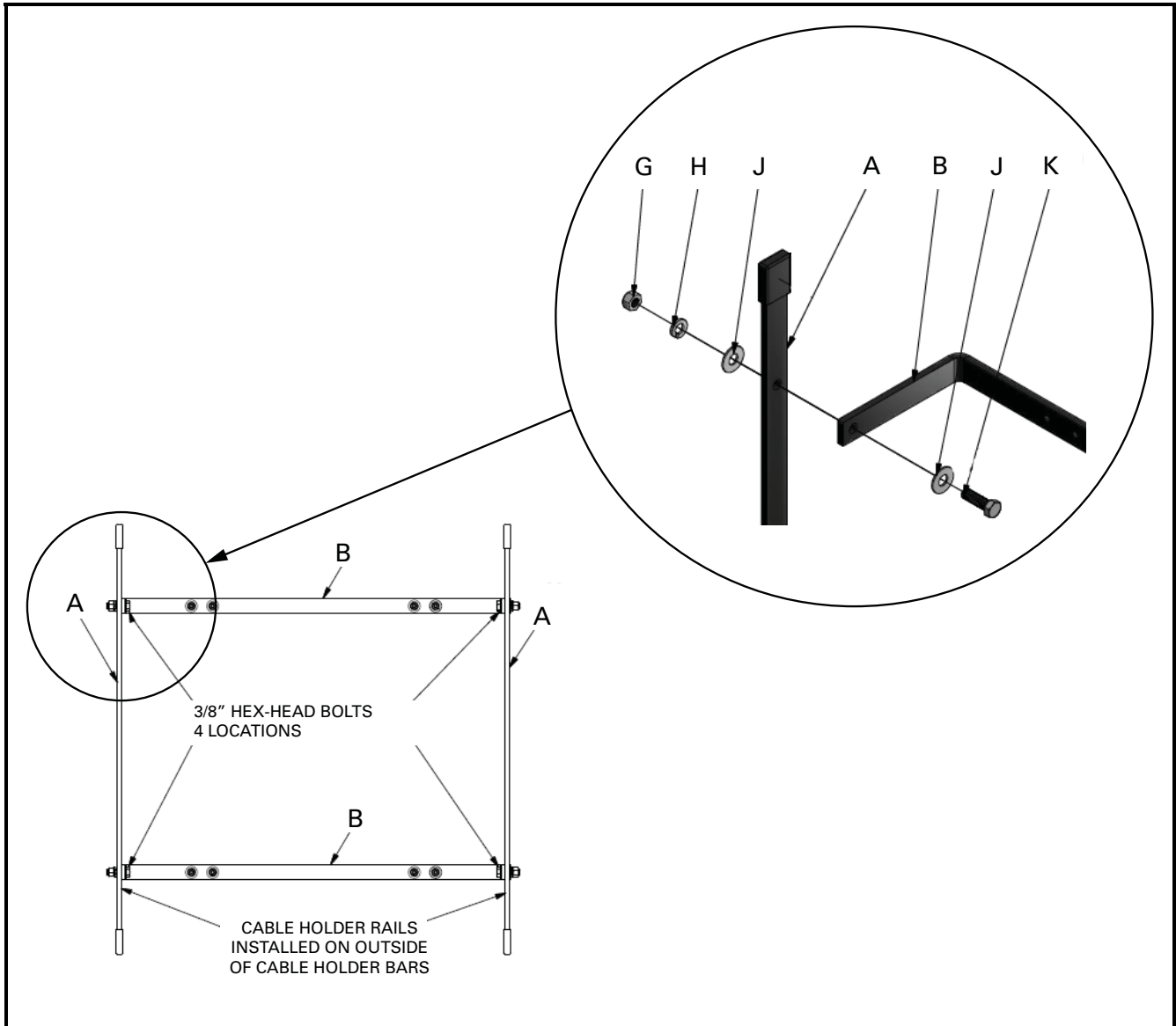


FIGURE 4. AC6000-MNT Assembly.

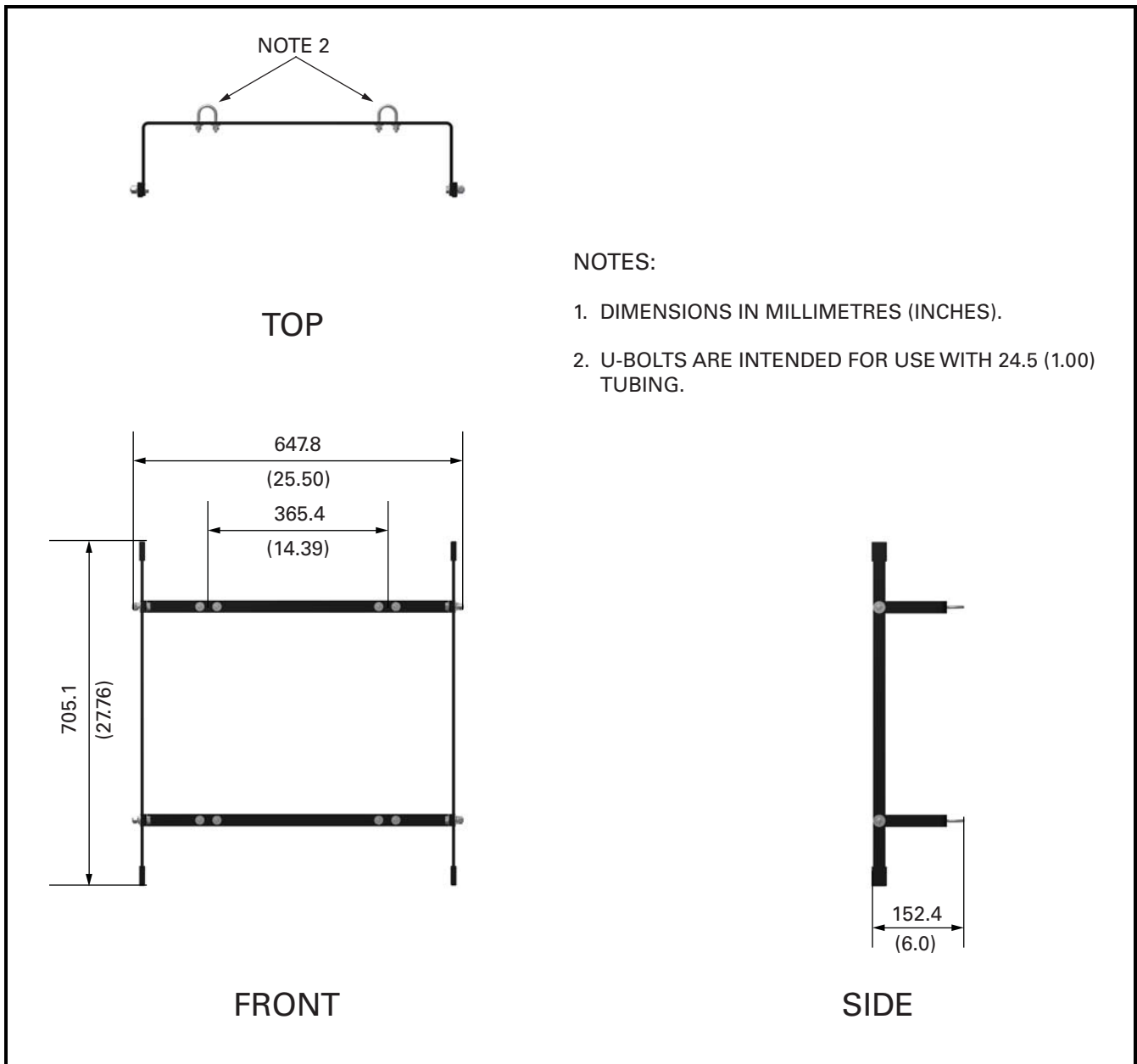
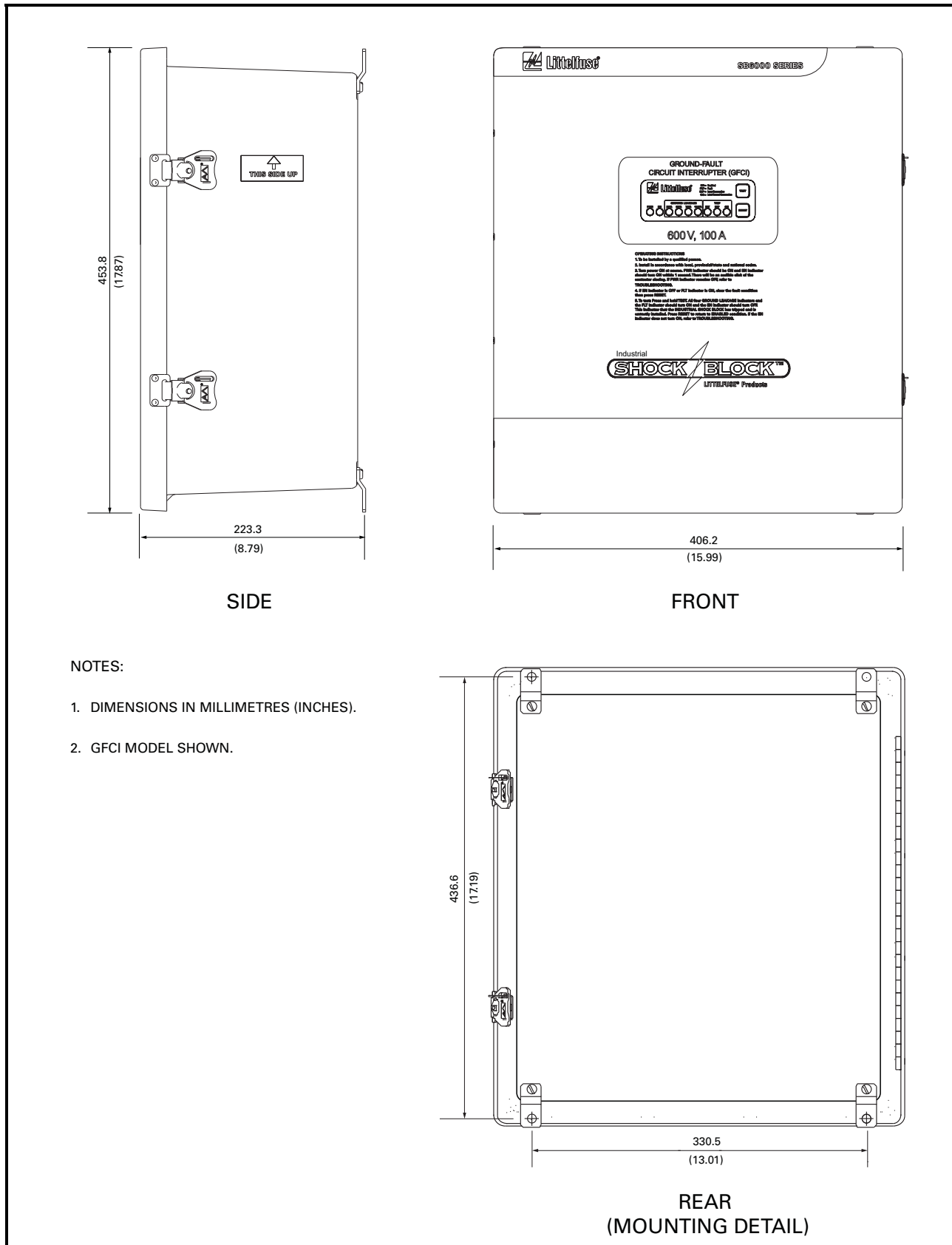


FIGURE 5. AC6000-MNT Outline.



NOTES:

1. DIMENSIONS IN MILLIMETRES (INCHES).
2. GFCI MODEL SHOWN.

FIGURE 6. Industrial Shock-Block Enclosed Model (SB6100-311-0) Outline and Mounting Details.

### 3. SB6100 MOUNTING

An enclosed model of the SB6100 is shown in Fig. 6. Follow these steps to mount an SB6100 to the assembled AC6000-MNT:

- The SB6100 mounting feet align with the inner holes on the AC6000-MNT cable holder bars (B).
- Place a flat washer (E) over the inner part of the U-bolt (F) or customer-supplied hardware.
- Align and attach the SB6100 to the four inner bolts and secure them in place using a split lock washer (D) and hex nut (C) on top of the mounting feet as shown in Fig. 7. Secure the hex nuts finger tight until the SB6100 is completely installed.
- Tighten all fasteners to a torque of 8.5 N-m (75 in-lb).

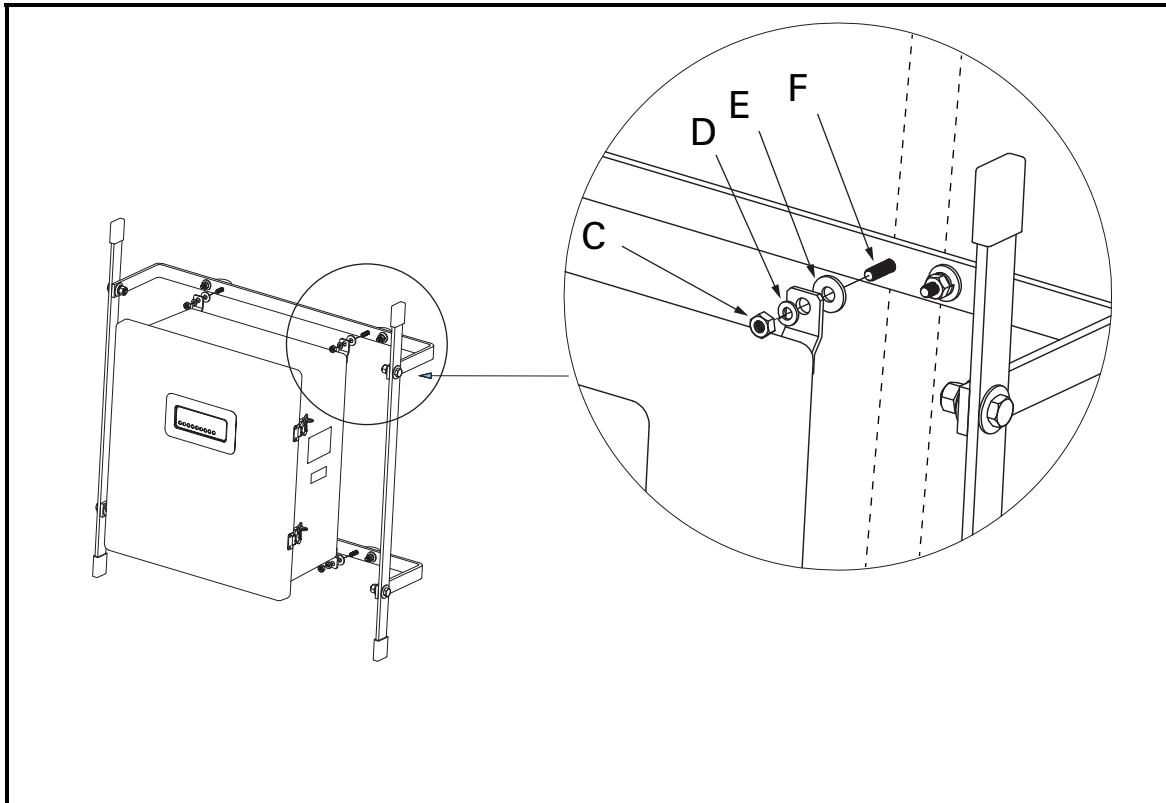


FIGURE 7. SB6100 Mounting.

#### 4. TECHNICAL SPECIFICATIONS

Maximum Load..... 45 kg (100 lb)

Dimensions:

Height..... 705 mm (28.0")

Width..... 648 mm (25.5")

Depth..... 152 mm (6.0")

Shipping Dimensions:

Height..... 152 mm (6.0")

Width..... 152 mm (6.0")

Depth..... 762 mm (30.0")

Weight..... 1.8 kg (4 lb)

Shipping Weight..... 2.7 kg (6 lb)

Material..... Aluminum

Finish..... Powder Coat Gloss  
Black

#### 5. ORDERING INFORMATION

**AC6000-MNT-00**

#### 6. WARRANTY

The AC6000-MNT is warranted to be free from defects in material and workmanship for a period of one year from the date of purchase.

Littelfuse Startco will (at Littelfuse Startco's option) repair, replace, or refund the original purchase price of an AC6000-MNT that is determined by Littelfuse Startco to be defective if it is returned to the factory, freight prepaid, within the warranty period. This warranty does not apply to repairs required as a result of misuse, negligence, an accident, improper installation, tampering, or insufficient care. Littelfuse Startco does not warrant products repaired or modified by non-Littelfuse Startco personnel.

**APPENDIX A**  
**AC6000-MNT REVISION HISTORY**

<b>MANUAL RELEASE DATE</b>	<b>MANUAL REVISION</b>	<b>PRODUCT REVISION (REVISION NUMBER ON PRODUCT LABEL)</b>
January 6, 2014	0-A-010614	00

**MANUAL REVISION HISTORY**

**REVISION 0-A-010614**

Initial release.

**PRODUCT REVISION HISTORY**

**PRODUCT REVISION 00**

Initial release.