

518 Series

Miniature Circuit Board Mount Clip for 5mm / 6.3mm Diameter Fuses



Product Characteristics

| | |
|-------------------------------|--|
| Compatible Fuses | For 5mm/6.3mm Fuses |
| Materials | Clip: Copper alloy Solderable, tinned |
| Electrical Data (23°C) | Rated Voltage: 500V |
| | Max. Current/Power: 10 A/2.5 W |
| Mounting | PC Board, 5mm pin spacing Kicked solder pins 0.4x1.1 mm |
| Minimum Cross Section | Conducting path - 0.2mm ² |
| Unit Weight | 0.9g |

Agency Approval

| Agency | Agency File Number |
|--------|--------------------|
| | E70164 |

Additional Information



Resources



Accessories

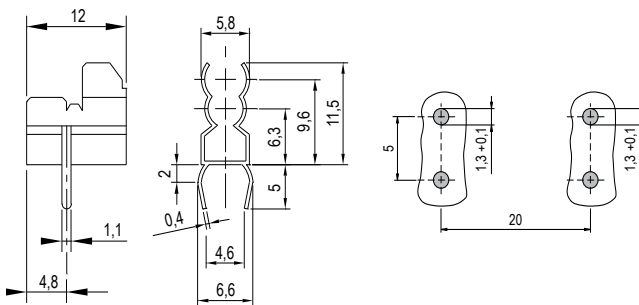


Samples

Ordering Information

| Ordering PN | Clip Material | Plating | Packaging Available |
|-------------|-----------------|------------|---------------------|
| 51800001009 | Phosphor Bronze | Tin-plated | Bulk (1000pcs) |

Product Dimensions (mm)



Disclaimer Notice - Information furnished is believed to be accurate and reliable. However, users should independently evaluate the suitability of and test each product selected for their own applications. Littelfuse products are not designed for, and may not be used in, all applications. Read complete Disclaimer Notice at: www.littelfuse.com/disclaimer-electronics.