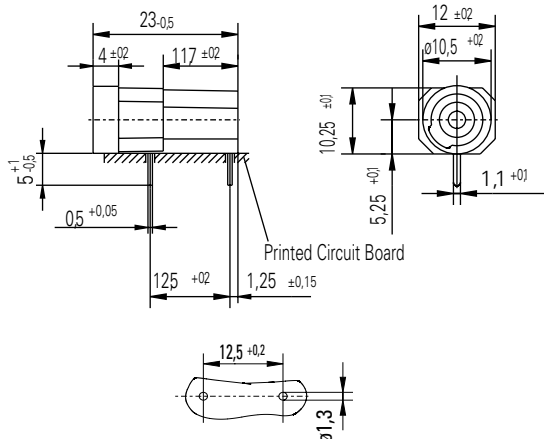


596/583 Series Circuit Board Mount Enclosed Fuse Holders for 5x20mm Fuses

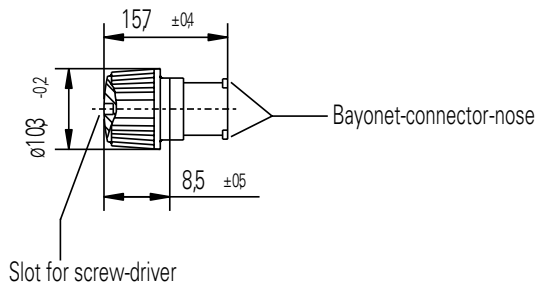


Dimensions

Units in Millimeters



Holes in the Printed Circuit Board



Product Characteristics

Compatible Fuse Types	5x20mm
Materials	Holder: Duroplastic, black
	Cap: Thermoplastic, UL 94 V-0, black
	Metal Parts: Copper alloy, corrosion protected
	Terminals: Solderable, tinned
Electrical Data (23°C)	Rated Voltage: 250V
	Max. Current/Power: 6.3 A / 2.0 W
Mounting	(2) Solder pins 0.5x1.1mm
Protection Class & Category	IP 40 (IEC 60529)
Operating Temperature	-25 °C to 70 °C
Stock Conditions	10 °C to 60 °C
Contact Resistance	$\leq 5m\Omega$
Dielectric Strength	3 kV, 50Hz, 1 min., dry
Insulation Resistance	> 10 M Ω (500 V DC, 1 min.)
Solderability	235 °C, 3 sec. (Wave)
	350 °C, 1 sec. (Soldering Iron)
Soldering Heat Resistance	260 °C, 5 sec.
Minimum Cross Section	Conductor - 0.2mm ²
Marking	596, 250 V
Unit Weight	2,2 g (596) / 1,7 g (583)

Note: 1.00 means the number one with two decimal places. 1,000 means the number one thousand.

Ordering Information

Description	Ordering Number	Packaging
Cap, 5x20 mm	58300000005	Bulk 100
596 Series Holder	59600000005	Bulk 100

Additional Information



Datasheet



Resources



Samples